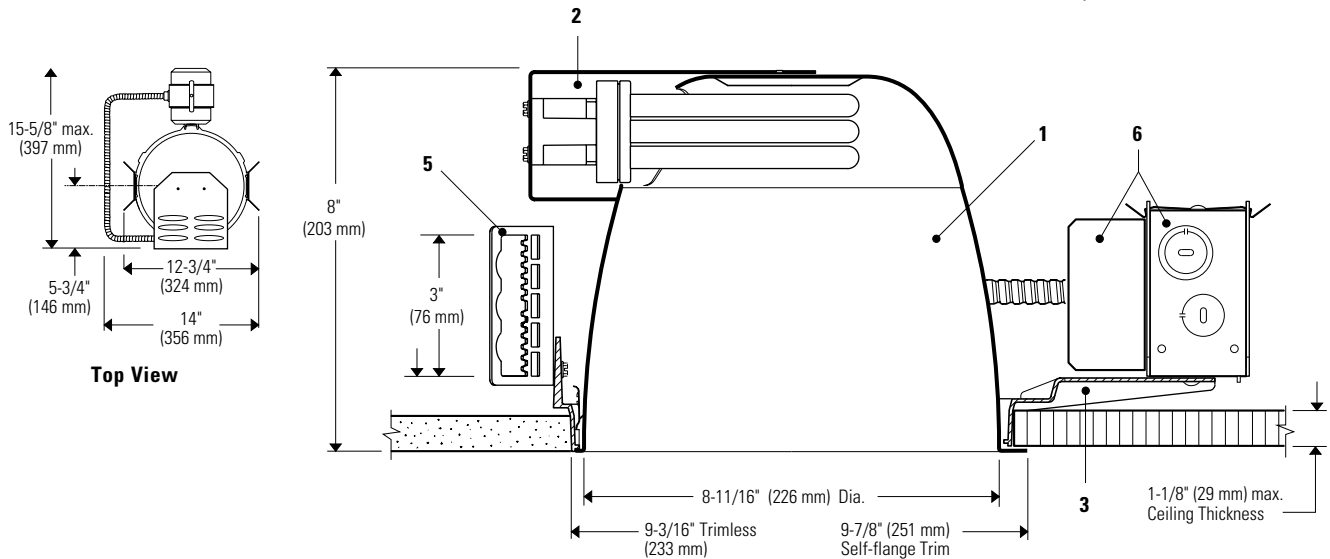


Calculite CFL 8", Open Downlight, (2) Triple Tube Horizontal Lamp

Project:	Catalog No:	Mfg:
Location:	Fixture Type:	Qty:
Notes:		Lamps:



Ceiling Cutout: 9 1/4" (235 mm) Dia.

Reflector Trim	Frame-In Kits
8038 CLW Clear Iridescence Free, White Flange	S8242HU 8" aperture, 2 lamp 26/32/42W Triple Tube CFL (120/277V) 4-Pin (Amalgam) Standard Dimming: (Other dimming product available, please consult factory)
8038 CLP Clear Iridescence Free, Polished Flange	S8242H <input type="checkbox"/>
8038 CL Clear Iridescence Free, Molded Trim Ring	JUM7 Mark 7 Dimming (120/277V)
8038 <input type="checkbox"/> Add suffix, See options below for other finishes.	J1MX Mark 10 Dimming (120V)
	J2MX Mark 10 Dimming (277V)
	Remodeler Frame-In Kits
	8242HURM 8" aperture, 2 lamp 26/32/42W Triple Tube CFL (120/277V) 4-Pin (Amalgam)

Features

- Reflector:** 16 ga. aluminum, 55° visual cutoff to lamp and lamp image, medium distribution. Iridescence Free finish. Self-flanged or flangeless with molded white trim ring (field paintable).
- Socket Bracket:** Die-formed steel, vented. Attaches to reflector for correct optical alignment.
- Mounting Frame:** galvanized stamped steel for dry or plaster ceilings.
- Retaining Springs:** Precision-tooled steel friction springs secure reflector to mounting frame for quick, tool-less installation.
- Mounting Brackets:** 16 ga. steel. Adjust from inside of fixture. Use 3/4" or 1 1/2" lathing channel, 1/2" EMT, or optional mounting bars.
- Ballast/J-Box:** Outboard mounted to reduce heat transfer and maintain lamp efficacy and life. Service from below without tools.

Electrical

Note: For ballast electrical data and latest lamp/ballast compatibility refer to "Ballast" specification sheet for complete electrical data.
UL Listed for through branch circuit wiring with max of (8) No 12 AWG, 90 degree C supply conductors.

Options and Accessories

Comfort Clear™ Finishes ¹	Other Finishes
Clear	CCL White WH
Diffuse	CCD
Champagne Bronze	CCZ

1. Specify desired flange: **W** White, **P** Polished, Blank - Molded Ring

Emergency	Add suffix EM*
Chicago Plenum	Add suffix LC
Emergency Ltg. Kit	FA EM3E* or FA EM4E*
Fuse (Slow Blow)	Add suffix F

*See Spec. Sheets: FAEM

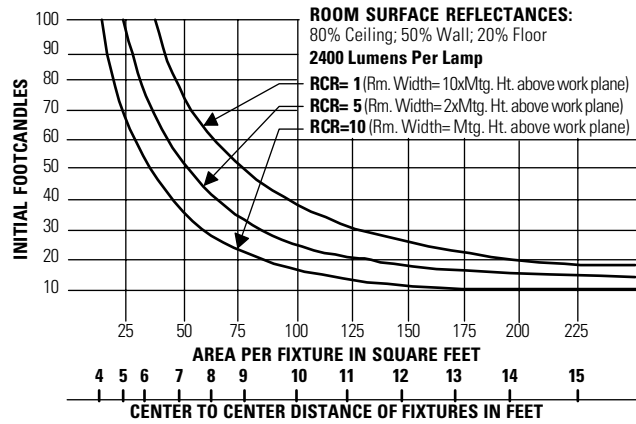
Mounting Bars & Accessories; see Specification Sheet MBA.
Sloped Ceiling Adapters; see Specification Sheet SCA

Labels

UL listed for damp locations, I.B.E.W.

Calculite CFL 8", Open Downlight, (2) Triple Tube Horizontal Lamp

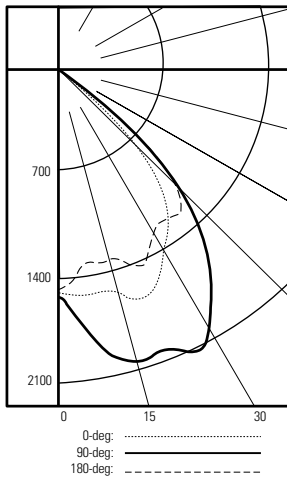
32W Quick Calculator



This quick calculator chart determines the number and spacing of 2 ft. - 32 W PL-T units with clear reflector: for any level of illumination. For 26W lamps, multiply footcandles by 0.8.

Spacing Ratio: Along = 1.4 Across = 1.6

CERTIFIED TEST REPORT NO. ITL44462
INDEPENDENT TESTING LABORATORIES, INC.
RECESSED CALCULITE DOWNLIGHT
8-11/16" APERTURE SPECULAR CLEAR REFLECTOR
TWO PHILIPS 32-WATT 32W/35/4P TRIPLE U-TUBE. COMPACT FLUORESCENTS.
HORIZONTAL POSITION. LUMEN RATING =2400 LMS



ANGLE	0.0	45.0	90.0	135.0	180.0	FLUX
0	1499	1499	1499	1499	1499	
5	1502	1555	1643	1573	1426	152
15	1546	1829	2017	1862	1330	505
25	1628	2073	2090	1747	1440	844
35	1312	1820	1842	1573	1242	1007
45	823	1034	1242	1222	1181	849
55	31	55	61	58	61	118
65	2	2	3	2	2	3
75	1	1	1	1	1	1
85	0	0	0	0	0	0
90	0	0	0	0	0	0

ZONE	LUMENS	% LAMP	% LUMINAIRE
0-30	1500	31.3	43.1
0-40	2508	52.2	72.1
0-60	3475	72.4	99.9
0-90	3479	72.5	100.0
90-180	0	0.0	0.0
0-180	3479	72.5	100.0

**** EFFICIENCY = 72.5% ****

DATE: Dec 4, 1995

TESTED ACCORDING TO IES PROCEDURES. TEST DISTANCE EXCEEDS FIVE TIMES THE GREATEST LUMINOUS OPENING OF LUMINAIRE.

Coefficients of Utilization

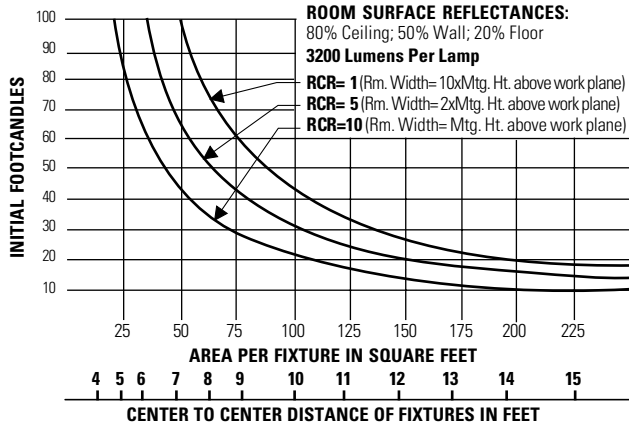
		% EFFECTIVE CEILING CAVITY REFLECTANCE																	
		80			70			50			30			10			0		
		% WALL REFLECTANCE																	
ROOM CAVITY RATIO		50	30	10	50	30	10	50	30	10	50	30	10	50	30	10	50	30	10
		1	.79	.77	.75	.78	.76	.74	.75	.73	.72	.72	.71	.70	.69	.68	.68	.66	.66
2	.72	.69	.66	.71	.68	.65	.69	.66	.64	.66	.64	.62	.64	.62	.61	.60	.60	.60	
3	.66	.62	.58	.65	.61	.58	.63	.59	.57	.61	.58	.56	.59	.57	.55	.54	.54	.54	
4	.60	.55	.52	.59	.55	.51	.58	.54	.51	.56	.53	.50	.55	.52	.49	.48	.48	.48	
5	.55	.50	.46	.54	.49	.46	.53	.49	.45	.51	.48	.45	.50	.47	.44	.43	.43	.43	
6	.50	.45	.41	.50	.45	.41	.48	.44	.41	.47	.43	.40	.46	.43	.40	.39	.39	.39	
7	.46	.41	.37	.46	.41	.37	.45	.40	.37	.44	.40	.37	.43	.39	.36	.35	.35	.35	
8	.42	.37	.34	.42	.37	.34	.41	.37	.33	.40	.36	.33	.40	.36	.33	.32	.32	.32	
9	.39	.34	.31	.39	.34	.31	.38	.34	.30	.37	.33	.30	.37	.33	.30	.29	.29	.29	
10	.36	.31	.28	.36	.31	.28	.35	.31	.28	.35	.31	.28	.34	.30	.28	.28	.28	.28	

20% FLOOR CAVITY REFLECTANCE
For 26W lamps, multiply C.U.'s by 1.1.

Calculite CFL 8", Open Downlight, (2) Triple Tube Horizontal Lamp

42W

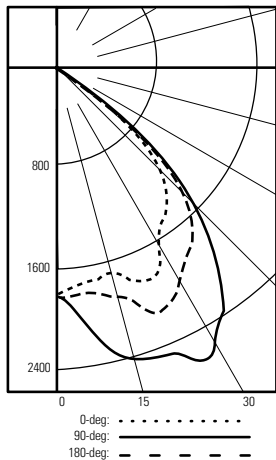
Quick Calculator



This quick calculator chart determines the number and spacing of 2 Lt. - 42 Watt PL-T units with clear reflector: for any level of illumination.

Spacing Ratio: Along = 1.4 Across = 1.7

CERTIFIED TEST REPORT NO. ITL44463
INDEPENDENT TESTING LABORATORIES, INC.
RECESSED CALCULITE DOWNLIGHT 8038CLIF/8242HE120
8 ? " APERTURE SPECULAR CLEAR REFLECTOR
TWO PHILIPS 42-WATT PL-T 42W/4P TRIPLE U-TUBE. COMPACT FLUORESCENTS.
HORIZONTAL POSITION. LUMEN RATING =3200 LMS



CANDLE POWER SUMMARY						
ANGLE	0.0	45.0	90.0	135.0	180.0	FLUX
0	1800	1800	1800	1800	1800	
5	1748	1821	1960	1951	1817	184
15	1695	2065	2423	2380	1892	616
25	1828	2305	2516	2461	2082	1048
35	1505	2016	2330	2138	1821	1264
45	1135	1419	1505	1454	1366	1063
55	49	83	63	53	46	142
65	4	3	3	3	2	3
75	1	1	1	1	1	1
85	0	0	0	0	0	0
90	0	0	0	0	0	0

ZONAL LUMENS AND PERCENTAGES			
ZONE	LUMENS	% LAMP	% LUMINAIRE
0-30	1847	28.9	42.8
0-40	3112	48.6	72.0
0-60	4316	67.4	99.9
0-90	4320	67.5	100.0
90-180	0	0.0	0.0
0-180	4320	67.5	100.0

**** EFFICIENCY = 67.5% ****

DATE: Jan 3, 1996
PREPARED FOR:
LIGHTOLIER, Fall River, MA

TESTED ACCORDING TO IES PROCEDURES. TEST DISTANCE EXCEEDS FIVE TIMES THE GREATEST LUMINOUS OPENING OF LUMINAIRE.

Coefficients Of Utilization

ROOM CAVITY RATIO	% EFFECTIVE CEILING CAVITY REFLECTANCE															
	80			70			50			30			10			0
	% WALL REFLECTANCE															
	50	30	10	50	30	10	50	30	10	50	30	10	50	30	10	0
1	.74	.72	.70	.72	.70	.69	.69	.68	.67	.67	.66	.65	.65	.64	.63	.62
2	.67	.64	.61	.66	.63	.61	.64	.61	.59	.62	.60	.58	.60	.58	.57	.56
3	.61	.57	.54	.60	.57	.54	.58	.55	.53	.57	.54	.52	.55	.53	.51	.50
4	.56	.51	.48	.55	.51	.48	.54	.50	.47	.52	.49	.46	.51	.48	.46	.45
5	.51	.46	.43	.50	.46	.43	.49	.45	.42	.48	.44	.42	.47	.44	.41	.40
6	.47	.42	.38	.46	.42	.38	.45	.41	.38	.44	.40	.38	.43	.40	.37	.36
7	.43	.41	.37	.46	.41	.37	.45	.40	.37	.44	.40	.37	.43	.39	.36	.35
8	.39	.35	.31	.39	.34	.31	.38	.34	.31	.37	.34	.31	.37	.33	.31	.30
9	.36	.32	.28	.36	.31	.28	.35	.31	.28	.35	.31	.28	.34	.31	.28	.27
10	.34	.29	.26	.33	.29	.26	.33	.29	.26	.32	.28	.26	.32	.28	.26	.25

20% FLOOR CAVITY REFLECTANCE



© 2015 Koninklijke Philips Electronics N.V. All rights reserved.
Specifications are subject to change without notice.
www.philips.com/luminaires

8038 10/15

Philips Lighting Company
200 Franklin Square Drive
Somerset, NJ 08873
Phone: 855-486-2216

Philips Lighting Company
281 Hillmount Road
Markham ON, Canada L6C 2S3
Phone: 855-486-2216