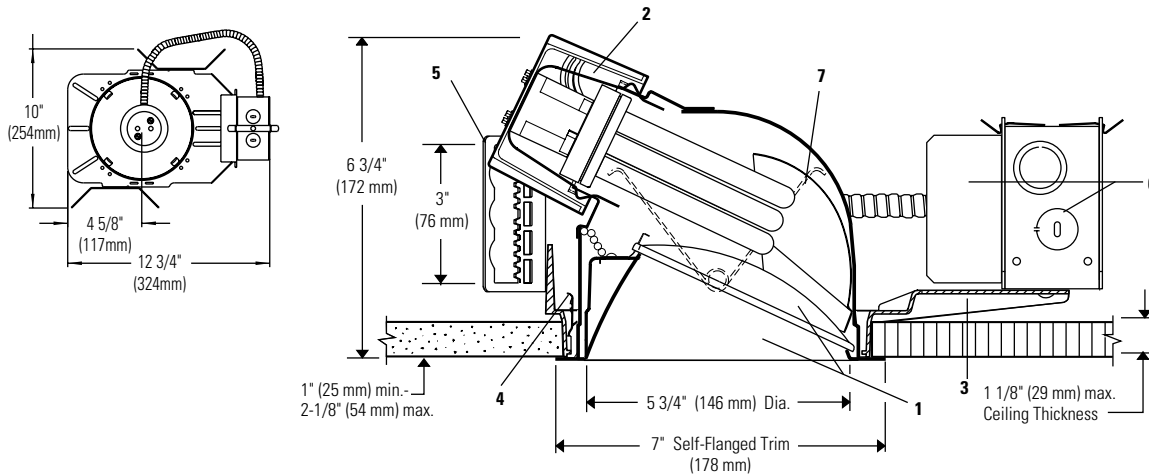


Calculite CFL 6", Lensed Wall Washer, Triple Tube Vertical Lamp

Project:	Catalog No:	Mfg:
Location:	Fixture Type:	Qty:
Notes:		Lamps:



Features

- Optics:** Directional prismatic glass spread lens and "kick" reflector direct light smoothly across and down wall. Rotates for correct orientation. Aperture cone with Iridescence Free finish.
- Socket Cup:** Galvanized steel, pre-wired with socket. Snaps onto reflector for secure attachment without tools; assures proper lamp alignment to optics for consistent performance.
- Mounting Frame:** Galvanized steel for dry or plaster ceilings. Accepts other 6" Triple Tube reflectors (see S6132BU Spec Sheet).
- Retaining Springs:** Precision-tooled steel friction springs secure reflector to mounting frame for quick, tool-less installation.
- Mounting Brackets:** Galvanized steel. Adjustable through aperture. Use 3/4" or 1 1/2" lathing channel, 1/2" EMT or optional mounting bars. See Options and Accessories for optional mounting bars.
- Ballast/J-Box:** Electronic 120V-277V. UL listed for through branch circuit wiring with max of (8) No. 12AWG, 90°C supply conductors. Outboard mounted to reduce heat transfer and maintain lamp efficacy and life. Service from below without tools.
- Torsionite Springs:** Wire formed steel holds reflector/spread lens assembly snug to housing.

Options and Accessories

Emergency	Add suffix EM*
Chicago Plenum	S6132BULC
Existing/Thk. Ceiling	FA EC6*
Emergency Lighting Kit	FA EM3E* or FA EM4E*
Fuse (Slow Blow)	Add suffix F
Adjustable Residential Mounting bars	7994
18" Mounting Bars (set of 2)	1950
27" Mounting Bars (set of 2)	1951
T-bar anchor clips (set of 4)	1956

for use with 18" or 27" Mounting bars

* See Spec. Sheets: **FAEC, FAEM**
Sloped Ceiling Adapters; see Specification Sheet **SCA**.

© 2015 Koninklijke Philips Electronics N.V. All rights reserved.
Specifications are subject to change without notice.
www.philips.com/luminaires

Ordering guide

Frame-In Kit	Lamp	Orientation	Dimming Options (Voltage) ¹
S6	132	B	
S6 Steel Frame for 6" Aperture	132 1 lamp 26/32W Triple Tube CFL	B Both Vertical & Horizontal	U Universal (120V/277V) JUM7 Mark 7 Dimming (120/277V) J1MX Mark 10 Dimming (120V) J2MX Mark 10 Dimming (277V)
Remodeler	Orientation	Input Voltage	Type
6132	B	U	RM
6132 6" aperture, 1 lamp 26/32W Triple Tube CFL	B Both Vertical & Horizontal	U Universal (120V/277V)	RM Remodeler
Reflector	Finish	Flange	
8046			
8046 6" aperture Calculite CFL lensed wall wash	CL Specular Clear CCL Comfort Clear CCD Comfort Clear Diffuse CCZ Champagne Bronze	W White (painted) P Polished (matches aperture)	
	WH White (painted)	W White (painted)	

1. For other dimming products available, please consult factory.

Electrical

For ballast electrical data and latest lamp/ballast compatibility refer to "Ballast" specification sheet for complete electrical data. UL listed for through branch circuit wiring with max of (8) No. 12 AWG, 90°C supply conductors.

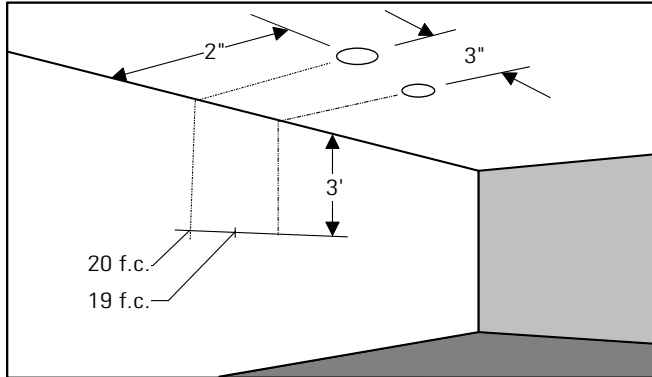
Labels

UL listed for damp locations.

Calculite CFL 6", Lensed Wall Washer, Triple Tube Vertical Lamp

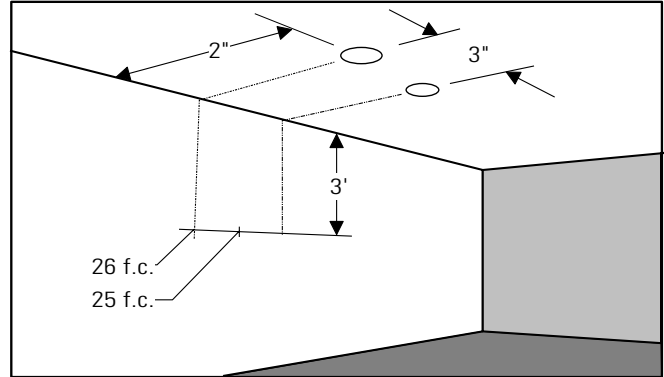
Lighting Data

Footcandles On Wall: Multiple 26w Units



EXAMPLE: With multiple clear reflector units located 2' from wall and spaced 3' on center, the illumination on the wall 3' down from ceiling will be 19 f.c. beneath units and 20 f.c. between units.

Footcandles On Wall: Multiple 32w Units



EXAMPLE: With multiple clear reflector units located 2' from wall and spaced 3' on center, the illumination on the wall 3' down from ceiling will be 26 f.c. beneath units and 25 f.c. between units.

2' From Wall-2' On Center

	← 2' →		
Distance From Ceiling in Feet	1	2	3
	24	22	24
	31	31	31
	28	28	28
	22	22	22
	17	17	17
	13	13	13
	10	11	10
	9	9	9
	7	7	7

2' From Wall-3' On Center

	← 3' →		
Distance From Ceiling in Feet	1	2	3
	19	12	19
	23	19	23
	20	19	20
	15	15	15
	12	12	12
	9	9	9
	8	8	8
	6	6	6
	6	6	6

2' From Wall-2' On Center

	← 2' →		
Distance From Ceiling in Feet	1	2	3
	33	30	33
	48	46	48
	38	38	38
	28	28	28
	20	20	20
	15	15	15
	12	12	12
	10	10	10
	8	8	8

2' From Wall-3' On Center

	← 3' →		
Distance From Ceiling in Feet	1	2	3
	27	16	27
	36	27	36
	26	25	26
	19	19	19
	14	14	14
	11	11	11
	9	9	9
	7	7	7
	6	6	6

3' From Wall-3' On Center

	← 3' →		
Distance From Ceiling in Feet	1	2	3
	7	6	7
	13	12	13
	14	14	14
	14	14	14
	12	12	12
	10	11	10
	9	9	9
	8	8	8
	7	7	7

3' From Wall-4' On Center

	← 4' →		
Distance From Ceiling in Feet	1	2	3
	6	4	6
	11	9	11
	11	10	11
	11	10	11
	9	9	9
	8	8	8
	7	7	7
	6	6	6
	6	6	6

3' From Wall-3' On Center

	← 3' →		
Distance From Ceiling in Feet	1	2	3
	9	8	9
	19	18	19
	22	21	22
	19	19	19
	16	16	16
	13	13	13
	11	11	11
	9	9	9
	8	8	8

3' From Wall-4' On Center

	← 4' →		
Distance From Ceiling in Feet	1	2	3
	8	5	8
	16	12	16
	17	15	17
	15	14	15
	12	12	12
	10	10	10
	8	8	8
	7	7	7
	6	6	6

Footcandle values are averaged and rounded off and based on minimum of five units.



©2015 Koninklijke Philips N.V. All rights reserved. Philips reserves the right to make changes in specifications and/or to discontinue any product at any time without notice or obligation and will not be liable for any consequences resulting from the use of this publication.

Philips Lighting,
North America Corporation
200 Franklin Square Drive,
Somerset, NJ 08873
Tel. 855-486-2216

Imported by: Philips Lighting,
A division of Philips Electronics Ltd.
281 Hillmount Rd, Markham, ON,
Canada L6C 2S3
Tel. 800-668-9008