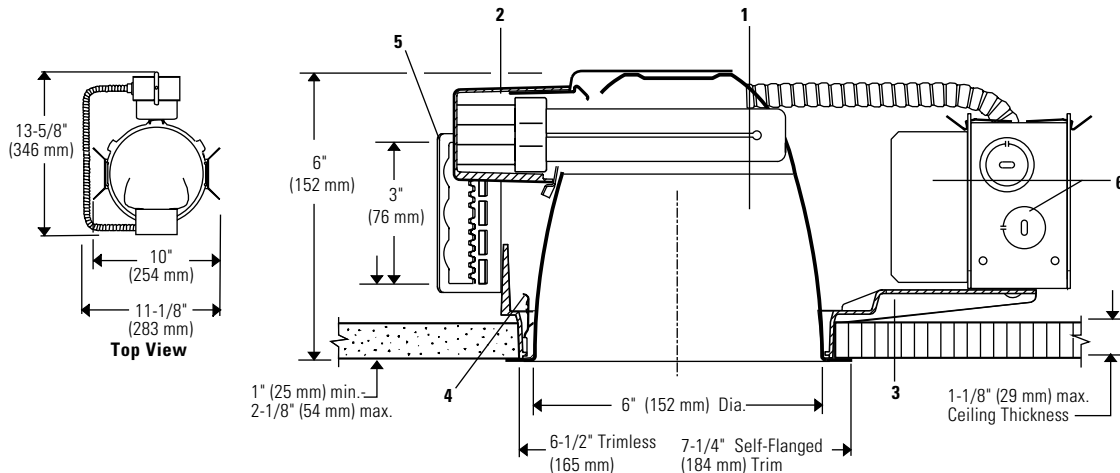


Project: _____
 Location: _____
 Cat.No: _____
 Type: _____
 Lamps: _____ Qty: _____
 Notes: _____



Ceiling Cutout: 6 9/16"(167 mm) Dia.

Reflector Trim		Frame-In Kit		Lamp
8051CLW	Clear Iridescence Free, White Flange	6218HU	Electronic 4-pin	120V - 277V
8051CLP	Clear Iridescence Free, Polished Flange	6218H DU3	PowerSpec® Dimming 4-pin	120V - 277V
8051CL	Clear Iridescence Free, Molded Trim Ring			
8051	Add suffix. See options for other finishes.			(2) 18W Quad Tube

Features

- 1. Reflector:** 16 ga. Specular Alzak® aluminum, 55° visual cutoff to lamp and lamp image, wide distribution. Iridescence Free finish. Self-flanged or flangeless with molded white trim ring (field paintable).
- 2. Socket Cup:** Die-cast zinc cup effectively dissipates heat and positions lamp holder. Snaps onto reflector neck to assure consistently correct optical alignment without tools.
- 3. Mounting Frame:** Die-cast aluminum for dry or plaster ceilings.
- 4. Retaining Springs:** Precision-tooled steel friction springs secure reflector to mounting frame for quick, tool-less installation.
- 5. Mounting Brackets:** 16 ga. steel. Adjust from inside of fixture. Use 3/4" or 1 1/2" lathing channel, 1/2" EMT, or optional mounting bars.
- 6. Ballast/J-Box:** Outboard mounted to reduce heat transfer and maintain lamp efficacy and life. Service from below without tools.

Electrical

Note: For ballast electrical data and latest lamp/ballast compatibility refer to "Ballast" specification sheet for complete electrical data.

UL listed for through branch circuit wiring with max of (8) No. 12 AWG, 90° C supply conductors.

Options and Accessories

Comfort Clear™ Finishes ¹		Other Finishes	
Clear	CCL	White	WH
Diffuse	CCD	Multigroove	MG
Champagne Bronze	CCZ		

¹Specify desired flange

W White, **P** Polished Blank - Molded Ring

8051 Calculite CFL 6"

(2) Quad Tube Horizontal

Options and Accessories (continued)

Emergency Add suffix **EM***
 Chicago Plenum Add suffix **LC**
 Existing/Thk.Ceiling **FA EC6***
 Emergency Ltg. Kit **FA EM3E* (4 Pin)**
FA EM4E* (4 Pin)
FA EM1T* (2 Pin)
 Fuse (Slow Blow) Add Suffix **F**

*See Spec. Sheets: FAEC, FAEM

Mounting Bars & Accessories; see Specification Sheet MBA.
 Sloped Ceiling Adapters; see Specification Sheet SCA.

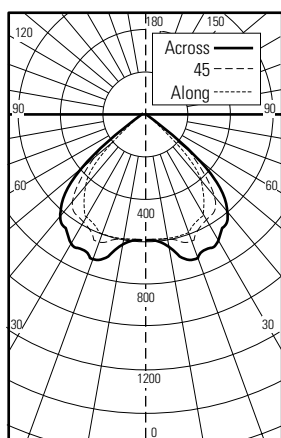
Labels

UL listed for damp locations, I.B.E.W.

Alzak® is a registered trademark of ALCOA.

Spacing Ratio: Along= 1.3 Across=1.6

CERTIFIED TEST REPORT NO. 0053FR COMPUTED BY LSI PROGRAM **TEST-LITE**
 CALCULITE 6" DIA. APERTURE RECESSED COMPACT FLOURESCENT OPEN DOWNLIGHT WITH
 CLEAR IRIDESCENCE FREE FINISH 2-18W PL-C PHILIPS LAMPS. LUMEN RATING = 1250 LMS.



CANDLEPOWER SUMMARY		O U T P U T LUMENS	
ANGLE ALONG		22.5	45
		67.5 ACROSS	
0	588	588	588
5	585	592	599
10	588	606	622
15	606	619	640
20	600	602	658
25	561	586	644
30	541	574	606
35	497	523	591
40	420	452	510
45	355	372	402
50	212	219	221
55	30	32	33
60	6	6	6
65	4	4	4
70	3	3	3
75	2	2	2
80	2	1	2
85	1	1	1
90	1	1	1

ZONAL LUMENS AND PERCENTAGES			
ZONE	LUMENS	% LAMP	% LUMINAIRE
0-30	528	21.13	42.14
0-40	881	35.26	70.31
0-60	1245	49.82	99.35
0-90	1253	50.15	100.00
40-90	372	14.89	29.69
60-90	8	.33	.65
90-180	0	.00	.00
0-180	1253	50.15	100.00

**** EFFICIENCY = 50.1% ****
 DATE: OCT 10, 1996

TESTED ACCORDING TO IES PROCEDURES. TEST DISTANCE EXCEEDS FIVE TIMES THE GREATEST LUMINOUS OPENING OF LUMINAIRE.

Coefficients Of Utilization

ROOM CAVITY RATIO	% EFFECTIVE CEILING CAVITY REFLECTANCE																							
	80				70				50				30				10				0			
	% WALL REFLECTANCE																							
	50	30	10	50	30	10	50	30	10	50	30	10	50	30	10	50	30	10	50	30	10	50	30	10
1	.55	.54	.53	.54	.53	.52	.52	.51	.50	.50	.49	.49	.48	.48	.47	.46	.46	.45	.44	.43	.43	.41	.40	.39
2	.51	.49	.47	.50	.48	.47	.48	.47	.46	.47	.46	.45	.46	.45	.44	.43	.43	.41	.40	.39	.39	.37	.36	.36
3	.47	.44	.42	.46	.44	.42	.45	.43	.41	.44	.42	.40	.43	.41	.40	.39	.37	.36	.35	.34	.34	.32	.30	.29
4	.43	.40	.38	.43	.40	.38	.42	.39	.37	.41	.39	.37	.40	.38	.37	.36	.35	.34	.33	.32	.32	.30	.29	.28
5	.40	.37	.34	.39	.36	.34	.39	.36	.34	.38	.35	.34	.37	.35	.33	.32	.32	.30	.29	.28	.28	.26	.24	.23
6	.37	.33	.31	.36	.33	.31	.35	.33	.31	.35	.32	.30	.34	.32	.30	.29	.28	.27	.26	.25	.25	.23	.21	.20
7	.34	.30	.28	.33	.30	.28	.32	.29	.27	.32	.29	.27	.31	.29	.27	.26	.25	.24	.23	.22	.22	.20	.19	.18
8	.31	.27	.25	.30	.27	.25	.30	.27	.25	.29	.26	.24	.29	.26	.24	.23	.22	.21	.20	.19	.19	.17	.16	.15
9	.28	.24	.22	.28	.24	.22	.27	.24	.22	.27	.24	.22	.26	.23	.22	.21	.20	.19	.18	.17	.17	.15	.14	.13
10	.25	.22	.20	.25	.22	.19	.25	.22	.19	.24	.21	.19	.24	.21	.19	.18	.17	.16	.15	.14	.14	.12	.11	.10

20% FLOOR CAVITY REFLECTANCE

