

Reflector Trim

- 8056 CLW** Clear Iridescence Free, White Flange
- 8056 CLP** Clear Iridescence Free, Polished Flange
- 8056 CL** Clear Iridescence Free, Molded Trim Ring
- 8056** Add suffix. See options for other finishes.

Frame-In Kit

- S7218HU** 7" aperture, 2 lamp 18W Quad Tube CFL (120/277V) 4-pin
- S7226HU** 7" aperture, 2 lamp 26W Quad Tube CFL (120/277V) 4-pin

Dimming Options:

- S7218H** or **S7226H**
 - CU3** Lightolier PowerSpec 3% Dimming (120/277V)
 - J1LD3** Lutron 5% Dimming (120V) **J2LD3** Lutron 5% Dimming (277V)
 - JUM7** Mark 7 Dimming (120/277V) **J1MX** Mark 10 Dimming (120V)
 - J2MX** Mark 10 Dimming (277V)
- Other dimming product available, please consult factory

Features

- 1. Reflector:** 16 ga. Die-formed aluminum, Anobrite finish.
- 2. Socket Cup:** Snaps onto reflector neck to assure consistently correct optical alignment without tools.
- 4. Retaining Springs:** Precision-tooled steel friction springs secure reflector to mounting frame for quick, tool-less installation.
- 5. Mounting Brackets:** 16 ga. steel. Adjust from inside of fixture. Use 3/4" or 1 1/2" lathing channel, 1/2" EMT, or optional mounting bars.
- 6. Ballast/J-Box:** Outboard mounted to reduce heat transfer and maintain lamp efficacy and life. Service from below without tools.

Electrical

Note: For ballast electrical data and latest lamp/ballast compatibility refer to "Ballast" specification sheet for complete electrical data.

UL listed for through branch circuit wiring with max of (8) No. 12 AWG, 90° C supply conductors.

Options and Accessories

Comfort Clear™ Finishes ¹		Other Finishes
Clear	CCL	White WH
Diffuse	CCD	
Champagne Bronze	CCZ	

¹Specify desired flange

W White, **P** Polished

Factory Emergency

Chicago Plenum

Add suffix **EM***

Add suffix **LC**

Options and Accessories (continued)

- Existing/Thk. Ceiling **FA EC7***
- Field Emergency Kit **FA EM3E* (4 pin)**
- FA EM4E* (4 pin)**

Fuse (Slow Blow) Add Suffix **F**

*See Spec. Sheets: FAEC, FAEM

Mounting Bars & Accessories; see Specification Sheet MBA.
Sloped Ceiling Adapters; see Specification Sheet SCA.

Labels

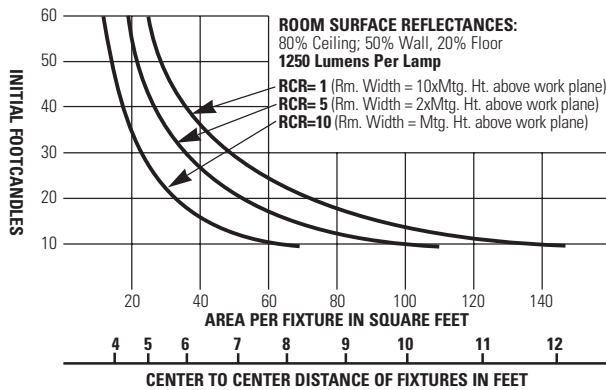
UL listed for damp locations

Alzак® is a registered trademark of ALCOA.

Job Information	Type:
Job Name:	
Cat. No.:	
Lamp(s):	
Notes:	

631 Airport Road, Fall River, MA 02720 • (508) 679-8131 • Fax (508) 674-4710
We reserve the right to change details of design, materials and finish.
www.lightolier.com © 2011 Philips Group • D0711

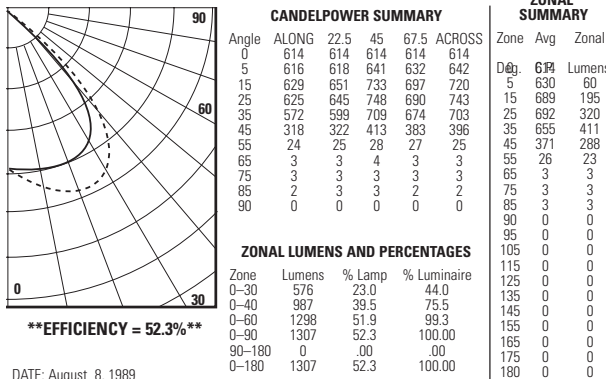
18W Quick Calculator



This quick calculator chart determines the number and spacing of 2 Lt. 18 watt Quad Tube units with clear or clear iridescent free reflector for any level of illumination.

Spacing Ratio: 1.4

Test Report Number: LRL 889-5A
COMPUTED BY: LIGHTING RESEARCH LABORATORY
PREPARED FOR: LIGHTOLIER INC.
APERTURE: 7 1/2"
REFLECTOR: SPECULAR CLEAR ALZAK
LAMPS: TWO 18W QUAD TUBE LAMPS EACH RATED AT 1250 LUMINES.



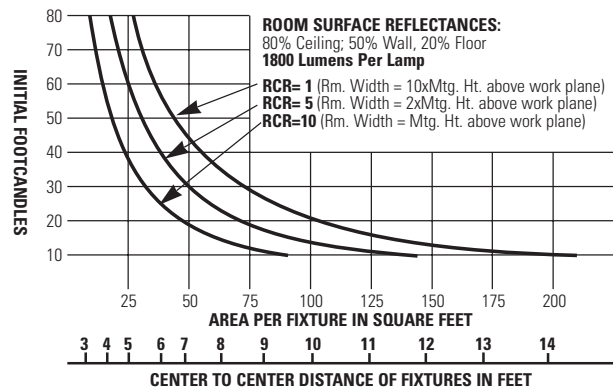
TESTED ACCORDING TO IES PROCEDURES. TEST DISTANCE EXCEEDS FIVE TIMES THE GREATEST LUMINOUS OPENING OF LUMINAIRE.

Coefficients Of Utilization

ROOM CAVITY RATIO	% Effective Ceiling Cavity Reflectance															
	80			70			50			30			10	0		
	50	30	10	50	30	10	50	30	10	50	30	10	50	30	10	
1	.58	.56	.55	.57	.55	.54	.54	.53	.53	.52	.52	.51	.51	.50	.49	.49
2	.54	.52	.50	.53	.51	.49	.51	.50	.48	.50	.48	.47	.48	.47	.46	.45
3	.50	.48	.46	.49	.47	.45	.48	.46	.44	.47	.45	.44	.46	.44	.43	.42
4	.46	.44	.41	.46	.43	.41	.45	.42	.41	.44	.42	.40	.43	.41	.40	.39
5	.43	.40	.38	.43	.40	.38	.42	.39	.37	.41	.39	.37	.40	.38	.37	.36
6	.40	.37	.34	.40	.37	.34	.39	.36	.34	.38	.36	.34	.37	.35	.34	.33
7	.37	.34	.31	.37	.34	.31	.36	.33	.31	.35	.33	.31	.35	.32	.31	.30
8	.34	.31	.28	.34	.31	.28	.33	.30	.28	.33	.30	.28	.32	.30	.26	.27
9	.31	.28	.25	.31	.28	.25	.30	.27	.25	.30	.27	.25	.29	.27	.25	.24
10	.27	.23	.21	.27	.23	.21	.26	.23	.21	.26	.23	.21	.25	.23	.21	.20

20% FLOOR CAVITY REFLECTANCE

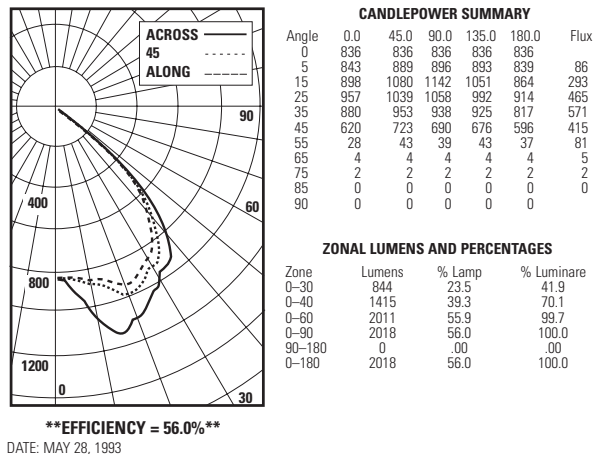
26W Quick Calculator



This quick calculator chart determines the number and spacing of 26 watt Quad Tube units with clear reflector, for any level of illumination. Lighting Conversion Factors: Gold, F.C. x 0.9; Black, F.C. x 0.85; Multi-Groove, F.C. x 0.8.

Spacing Ratio = 1.6

Certified Test Report Number: ITL 40604
COMPUTED BY: INDEPENDANT TESTING LABORATORIES, INC
PREPARED FOR: LIGHTOLIER INC.
APERTURE: 7 3/8"
REFLECTOR: SPECULAR CLEAR
LAMPS: TWO 26W 4 PIN QUAD TUBE COMPACT FLUORESCENT RATED AT 1800 LUMINES.



TESTED ACCORDING TO IES PROCEDURES. TEST DISTANCE EXCEEDS FIVE TIMES THE GREATEST LUMINOUS OPENING OF LUMINAIRE.

Coefficients Of Utilization

ROOM CAVITY RATIO	% Effective Ceiling Cavity Reflectance															
	80			70			50			30			10	0		
	50	30	10	50	30	10	50	30	10	50	30	10	50	30	10	
1	.61	.59	.58	.60	.58	.57	.58	.56	.55	.55	.55	.54	.54	.53	.52	.51
2	.56	.53	.51	.55	.52	.50	.53	.51	.49	.51	.49	.48	.50	.48	.47	.46
3	.51	.47	.45	.50	.47	.44	.48	.46	.43	.47	.45	.43	.46	.44	.42	.41
4	.46	.42	.39	.45	.42	.39	.44	.41	.39	.43	.40	.38	.42	.40	.38	.37
5	.42	.38	.35	.42	.38	.35	.40	.37	.35	.39	.37	.34	.39	.36	.34	.33
6	.39	.34	.31	.38	.34	.31	.37	.34	.31	.36	.33	.31	.35	.33	.31	.30
7	.35	.31	.28	.34	.31	.28	.34	.31	.28	.33	.30	.28	.33	.30	.28	.27
8	.33	.28	.26	.32	.28	.26	.31	.28	.25	.31	.28	.25	.30	.27	.25	.24
9	.30	.26	.23	.30	.26	.23	.29	.26	.23	.29	.25	.23	.28	.25	.23	.22
10	.28	.24	.21	.27	.24	.21	.27	.24	.21	.26	.23	.21	.26	.23	.21	.20

20% FLOOR CAVITY REFLECTANCE

Job Information

Type:

631 Airport Road, Fall River, MA 02720 • (508) 679-8131 • Fax (508) 674-4710
We reserve the right to change details of design, materials and finish.
www.lightolier.com © 2011 Philips Group • D0711