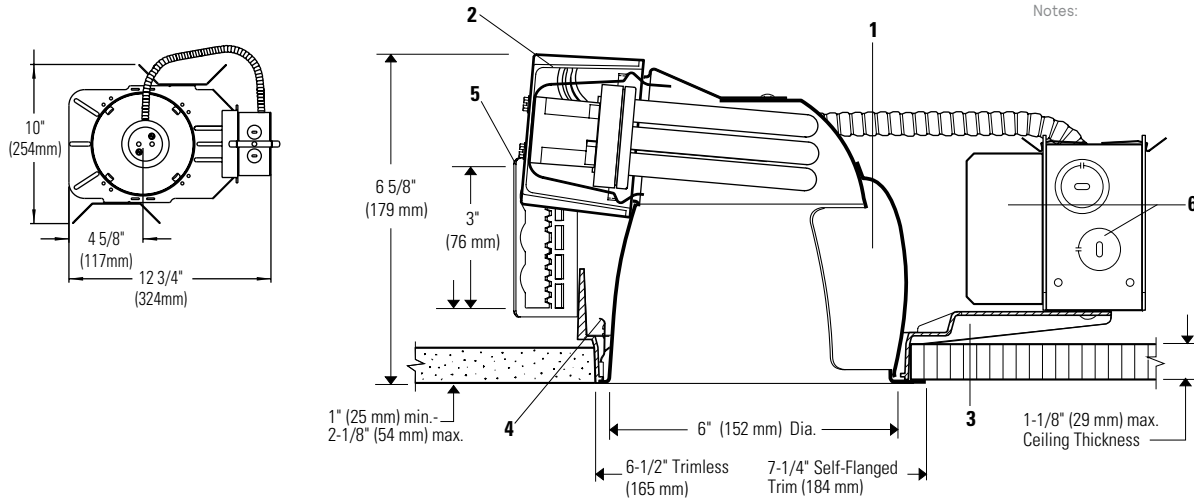


Project: _____
 Location: _____
 Cat.No: _____
 Type: _____
 Lamps: _____ Qty: _____
 Notes: _____



Reflector Trim

- 8081CLW** Clear Iridescence Free, White Flange
- 8081CLP** Clear Iridescence Free, Polished Flange
- 8081CL** Clear Iridescence Free, Molded Trim Ring (field paintable)
- 8081** Add suffix. See options for other finishes

Frame-In Kit

- S6132BU** 6" aperture, 1 lamp 26/32W Triple Tube CFL (120/277V) 4-Pin (Amalgam)
 - Dimming Options:**
 - S6132B**
 - CU3** Lightolier PowerSpec 3% Dimming (120/277V)
 - J2LD3** Lutron 5% Dimming (277V)
 - J1MX** Mark 10 Dimming (120V)
 - J1LD3** Lutron 5% Dimming (120V)
 - JUM7** Mark 7 Dimming (120/277V)
 - J2MX** Mark 10 Dimming (277V)
- Other dimming product available, please consult factory

Remodeler Frame-In Kits

- 6126BURM** 6" aperture, 1 lamp 26W Triple Tube CFL (120/277V) 4-Pin (Amalgam)
- 6132BURM** 6" aperture, 1 lamp 26/32W Triple Tube CFL (120/277V) 4-Pin (Amalgam)

Features

- 1. Downlight Wall Washer Reflector:** 16 ga. Alzak® aluminum, 55° lamp cutoff to lamp and lamp image. Provides vertical surface wall wash and downlighting. Iridescence Free finish. Self-flanged or flangeless with molded white trim ring (field paintable).
- 2. Socket Cup:** Effectively dissipates heat and positions lamp holder. Snaps onto reflector neck to assure consistently correct optical alignment without tools.
- 3. Mounting Frame:** Galvanized steel for dry or plaster ceilings. Accepts other 6" Triple Tube reflectors (see S6132BU Spec Sheet).
- 4. Retaining Springs:** Precision-tooled steel friction springs secure reflector to mounting frame for quick, tool-less installation.
- 5. Mounting Brackets:** 16 ga. steel. Adjust from inside of fixture. Use 3/4" or 1 1/2" lathing channel, 1/2" EMT, or optional mounting bars.
- 6. Ballast/J-Box:** Electronic 120V-277V. UL listed for through branch circuit wiring with max of (8) No. 12AWG, 90°C supply conductors. Outboard mounted to reduce heat transfer and maintain lamp efficacy and life. Service from below without tools.

Electrical

Note: For ballast electrical data and latest lamp/ballast compatibility refer to "Ballast" specification sheet for complete electrical data.
 UL Listed for through branch circuit wiring with max of (8) No. 12 AWG, 90°C supply conductors.

Options and Accessories

Comfort Clear™ Finishes ¹		Other Finishes
Clear	CCL	White WH
Diffuse	CCD	
Champagne Bronze	CCZ	

¹Specify desired flange. **W** White, **P** Polished, Blank - Molded Ring

8081 Calculite CFL 6"

Triple Tube Horizontal

Options and Accessories (continued)

Emergency Add suffix **EM***
 Chicago Plenum Use 6132BULC
 Existing/Thk. Ceiling **FA EC6***
 Emergency Ltg. Kit **FA EM3E***
FA EM4E*

Fuse (Slow Blow) Add suffix **F**
 *See Spec. Sheets: FAEC, FAEM

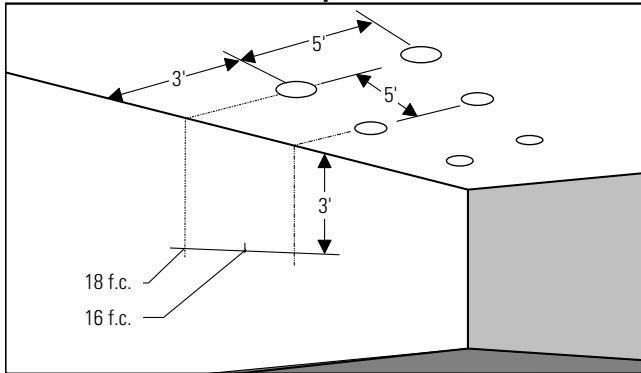
Mounting Bars & Accessories; see Specification Sheet MBA.
 Sloped Ceiling Adapters; see Specification Sheet SCA.

Labels

UL listed for damp locations.

Alzak® is a registered trademark of ALCOA.

Footcandles On Wall: Multiple 32W Units



EXAMPLE: With multiple clear reflector units located 3' from wall and spaced 5' on center (matching downlights 5' on center), the illumination on the wall 3' down from ceiling will be 18 f.c. beneath units and 16 f.c. between units.

Footcandle values are averaged and rounded off and are based on a minimum of five units.

Conversion Factor: 26W: (Clear), f.c. x 0.8.

2' from Wall-2' On Center

2'			
Distance From Ceiling in Feet			
1	48	46	48
2	68	62	68
3	50	51	50
4	37	37	37
5	27	28	27
6	21	21	21
7	16	16	16
8	13	13	13
9	11	11	11

2' from Wall-3' On Center

3'			
Distance From Ceiling in Feet			
1	38	26	38
2	42	42	42
3	34	35	34
4	25	26	25
5	20	20	20
6	15	16	15
7	13	13	13
8	11	11	10
9	9	9	9

2' from Wall-4' On Center

4'			
Distance From Ceiling in Feet			
1	35	14	35
2	37	24	37
3	24	27	24
4	19	20	19
5	15	15	15
6	12	12	12
7	10	10	10
8	8	8	8
9	8	8	8

3' from Wall-3' On Center

3'			
Distance From Ceiling in Feet			
1	16	15	16
2	25	24	25
3	27	29	17
4	25	26	25
5	21	22	21
6	18	18	18
7	15	15	15
8	13	13	13
9	11	11	11

3' from Wall-4' On Center

4'			
Distance From Ceiling in Feet			
1	13	10	13
2	20	17	20
3	21	22	21
4	19	20	19
5	16	17	16
6	13	14	13
7	12	12	12
8	10	10	10
9	9	9	9

3' from Wall-5' On Center

5'			
Distance From Ceiling in Feet			
1	12	7	12
2	10	12	10
3	18	16	18
4	15	16	15
5	13	14	13
6	11	11	11
7	9	10	9
8	8	8	8
9	7	7	7

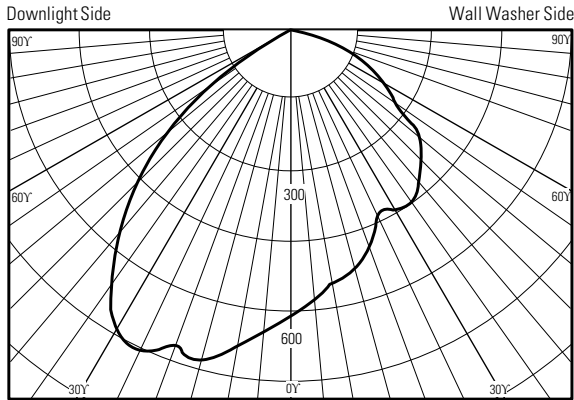
3' from Wall-6' On Center

6'			
Distance From Ceiling in Feet			
1	12	5	12
2	10	9	10
3	17	11	17
4	13	14	13
5	10	12	10
6	9	10	9
7	8	8	8
8	7	7	7
9	6	6	6

8081 Calculite CFL 6"

Triple Tube Horizontal

Candlepower Distribution Down Light Spacing Ration 1.0 Coefficients Of Utilization



ROOM CAVITY RATIO	% EFFECTIVE CEILING CAVITY REFLECTANCE															
	80			70			50			30			10			0
	% WALL REFLECTANCE															
	50	30	10	50	30	10	50	30	10	50	30	10	50	30	10	0
1	.69	.68	.66	.68	.66	.65	.65	.64	.63	.63	.62	.61	.61	.60	.59	.58
2	.63	.60	.58	.62	.59	.57	.60	.58	.56	.58	.56	.54	.56	.55	.53	.52
3	.58	.54	.51	.57	.53	.50	.55	.52	.49	.53	.51	.49	.52	.50	.48	.47
4	.53	.48	.45	.52	.48	.45	.50	.47	.44	.49	.46	.44	.48	.45	.43	.42
5	.48	.43	.40	.47	.43	.40	.46	.42	.39	.45	.42	.39	.44	.41	.39	.38
6	.44	.39	.36	.43	.39	.35	.42	.38	.35	.41	.38	.35	.40	.37	.35	.34
7	.40	.35	.32	.39	.35	.31	.38	.34	.31	.37	.34	.31	.37	.33	.31	.30
8	.36	.31	.28	.35	.31	.28	.35	.31	.28	.34	.30	.28	.33	.30	.27	.26
9	.33	.28	.25	.32	.28	.25	.32	.27	.25	.31	.27	.24	.30	.27	.24	.23
10	.30	.25	.22	.29	.25	.22	.29	.25	.22	.28	.24	.22	.28	.24	.21	.20

20% FLOOR CAVITY REFLECTANCE
For 26W units multiply C.U. by 1.0.

