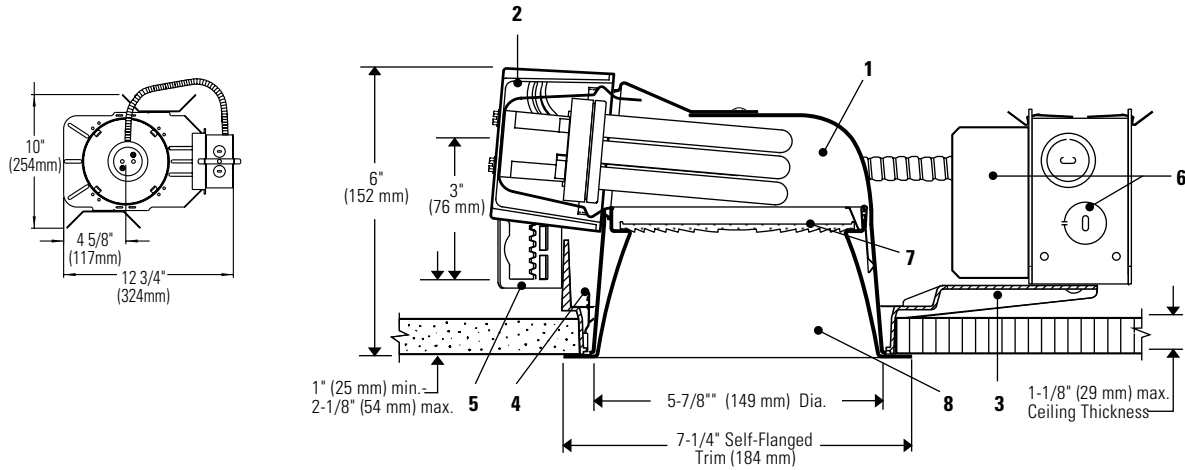


Project: _____
 Location: _____
 Cat.No: _____
 Type: _____
 Lamps: _____ Qty: _____
 Notes: _____



Reflector Trim				Frame-In Kit	
(Lens:)	Fresnel	Clear	Prismatic	S6132BU	6" aperture, 1 lamp 26/32W Triple Tube CFL (120/277V) 4-Pin (Amalgam)
Clear Cone, White Flange	8091FCLW	8091CCLW	8091PCLW	Dimming Options:	
Clear Cone, Polished Flange	8091FCLP	8091CCLP	8091PCLP	S6132B	<input type="checkbox"/>
White Cone, White Flange	8091FVHW	8091CVHW	8091PVHW	CU3	Lightolier PowerSpec 3% Dimming (120/277V)
				J2LD3	Lutron 5% Dimming (277V)
				J1MX	Mark 10 Dimming (120V)
					Other dimming product available, please consult factory
				J1LD3	Lutron 5% Dimming (120V)
				JUM7	Mark 7 Dimming (120/277V)
				J2MX	Mark 10 Dimming (277V)
	Opal Diffuser			Remodeler Frame-In Kits	
Clear Cone, White Flange	8091DCLW			6126BURM	6" aperture, 1 lamp 26W Triple Tube CFL (120/277V) 4-Pin (Amalgam)
Clear Cone, Polish Flange	8091DCLP			6132BURM	6" aperture, 1 lamp 26/32W Triple Tube CFL (120/277V) 4-Pin (Amalgam)
White Cone, White Flange	8091DVHW				

Features

- Reflector:** 16 ga. Die-formed aluminum, Anobrite® finish.
- Socket Cup:** Effectively dissipates heat and positions lamp holder. Snaps onto reflector neck to assure consistently correct optical alignment without tools.
- Mounting Frame:** Galvanized steel for dry or plaster ceilings. Accepts other 6" Triple Tube reflectors (see S6132BU Spec Sheet).
- Retaining Springs:** Precision-tooled steel friction springs secure reflector to mounting frame for quick, tool-less installation.
- Mounting Brackets:** 16 ga. steel. Adjust from inside of fixture. Use 3/4" or 1 1/2" lathing channel, 1/2" EMT, or optional mounting bars.

Features (cont.)

- Ballast/J-Box:** Electronic 120V-277V. UL listed for through branch circuit wiring with max of (8) No. 12AWG, 90°C supply conductors. Outboard-mounted to reduce heat transfer and maintain lamp efficacy and life. Service from below without tools.
- Shielding Media:** Molded acrylic. Available in fresnel lens, clear lens, or opal diffuser. Secured to aperture cone.
- Cone:** 16 ga. Alzak® aluminum. Clear Iridescence Free finish or Comfort Clear™ low iridescence finish. Retained by friction springs; no loose parts.

8091 Calculite CFL 6"

Triple Tube Horizontal

Electrical

Note: For ballast electrical data and latest lamp/ballast compatibility refer to "Ballast" specification sheet for complete electrical data.

UL Listed for through branch circuit wiring with max of (8) No 12 AWG, 90 degree C supply conductors.

Options and Accessories

Comfort Clear™ Finishes¹		Other Finishes	
Clear	CCL	White	WH
Diffuse	CCD	Champagne Bronze	CCZ

¹Specify desired flange. **W** White, **P** Polished

Labels

All units are UL listed for wet locations; Opal Diffuser is UL listed for damp locations.

Alzak® is a registered trademark of ALCOA.

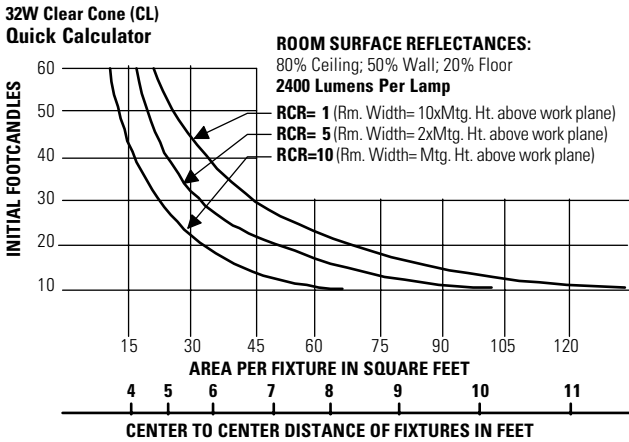
Options and Accessories (continued)

Emergency	Add suffix EM*
Chicago Plenum	Use 6132BULC
Existing/Thk. Ceiling	FA EC6*
Emergency Ltg. Kit	FA EM3E*
	FA EM4E*

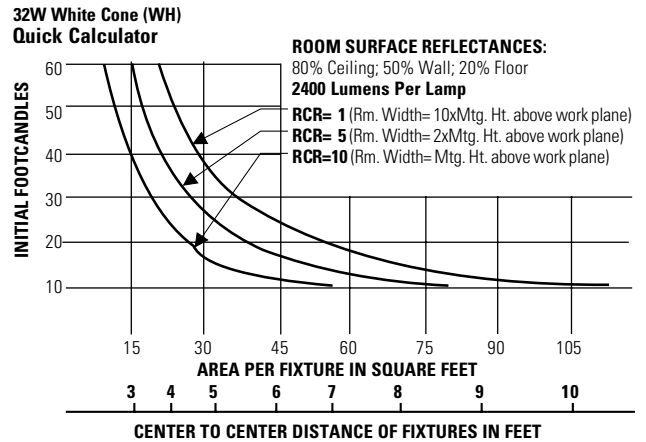
Fuse (Slow Blow) Add suffix **F**
 *See Spec. Sheets: FAEC, FAEM

Mounting Bars & Accessories; see Specification Sheet MBA. Sloped Ceiling Adapters; see Specification Sheet SCA.

IC Frame available; see **C6CFL32** specification sheet.



This quick calculator chart determines the number and spacing of 1 ft.- 32W PL-T units with fresnel lens and clear reflector, for any level of illumination. Conversion factors: Opal diffuser, fc x 0.8; Clear lens, fc x 1.0. 1 ft.- 26W PLT : Fresnel Lens, fc x 0.8; Opal Diffuser, fc x 0.65; Clear lens fc x 0.8.



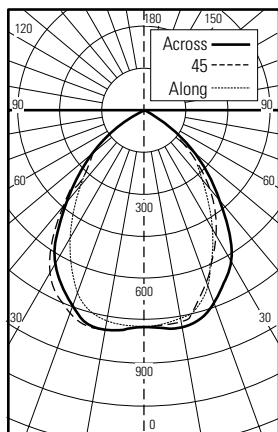
This quick calculator chart determines the number and spacing of 1 ft.- 32W PL-T units with fresnel lens and white cone, for any level of illumination. Conversion factors: Opal diffuser, fc x 0.8; Clear lens, fc x 1.0. 1 ft.- 26W PLT : Fresnel Lens, fc x 0.8; Opal Diffuser, fc x 0.65; Clear lens fc x 0.8.

8091 Calculite CFL 6"

Triple Tube Horizontal

Spacing Ratio = 1.2

CERTIFIED TEST REPORT NO. 0075FR
 COMPUTED BY LSI PROGRAM **TEST-LITE**
 CALCULITE 6" DIAMETER RECESSED FLUORESCENT LENSED DOWNLIGHT
 SEMI-SPECULAR REFLECTOR WITH CLEAR CONE AND FRESNEL LENS
 LUMEN RATING = 2400 LMS.
 1-32W PL-T LAMP,



ANGLE	CANDLEPOWER				
	ALONG 22.5	45	67.5	ACROSS	LUMENS
0	780	780	780	780	780
5	773	778	779	782	785
10	758	768	774	781	790
15	736	732	738	753	776
20	680	647	664	699	739
25	589	552	591	633	688
30	499	489	530	572	630
35	413	425	446	481	536
40	334	358	364	386	425
45	268	286	288	304	323
50	210	232	232	239	244
55	87	105	109	116	119
60	32	38	42	45	47
65	6	8	9	9	11
70	1	1	1	2	2
75	1	1	1	1	1
80	1	1	1	1	1
85	0	1	1	0	1
90	0	1	1	0	1

ZONE	ZONAL LUMENS AND PERCENTAGES		
	LUMENS	% LAMP	% LUMINAIRE
0-30	585	24.40	47.62
0-40	886	36.92	72.06
0-60	1216	50.67	98.90
0-90	1229	51.24	100.00
40-90	343	14.32	27.94
60-90	13	.57	1.10
90-180	0	.00	.00
0-180	1229	51.24	100.00

**** EFFICIENCY = 51.2% ****

Coefficients Of Utilization

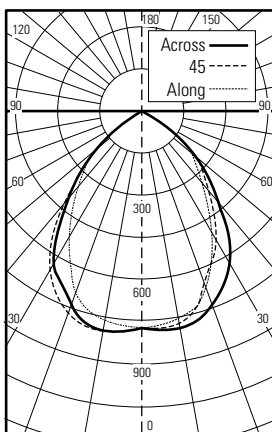
ROOM CAVITY RATIO	% EFFECTIVE CEILING CAVITY REFLECTANCE															
	80			70			50			30			10			0
	50	30	10	50	30	10	50	30	10	50	30	10	50	30	10	0
1	.56	.55	.54	.56	.54	.53	.53	.52	.51	.51	.51	.50	.49	.48	.48	
2	.52	.50	.48	.51	.49	.48	.50	.48	.47	.48	.47	.46	.46	.45	.44	
3	.48	.46	.44	.48	.45	.43	.46	.44	.43	.45	.43	.42	.44	.43	.41	
4	.45	.42	.40	.44	.42	.39	.43	.41	.39	.42	.40	.38	.41	.39	.37	
5	.42	.38	.36	.41	.38	.36	.40	.37	.35	.39	.37	.35	.38	.36	.34	
6	.38	.35	.33	.38	.35	.32	.37	.34	.32	.36	.34	.32	.36	.33	.31	
7	.35	.32	.30	.35	.32	.29	.34	.31	.29	.33	.31	.29	.33	.31	.28	
8	.32	.29	.27	.32	.29	.27	.32	.29	.27	.31	.28	.26	.30	.28	.25	
9	.30	.27	.24	.30	.26	.24	.29	.26	.24	.29	.26	.24	.28	.26	.23	
10	.28	.24	.22	.27	.24	.22	.27	.24	.22	.26	.24	.22	.26	.23	.21	

20% FLOOR CAVITY REFLECTANCE

Conversion Factors: 1 Lt-32W PLT: Opal Diffuser, CU x 0.8; Clear Lens, CU x 1.0.
 1 Lt-26W PLT: Fresnel Lens, CU x 1.1; Opal Diffuser, CU x 0.9; Clear Lens, CU x 1.1.

Spacing Ratio = 1.1

CERTIFIED TEST REPORT NO. 0072FR
 COMPUTED BY LSI PROGRAM **TEST-LITE**
 CALCULITE 6" DIAMETER RECESSED FLUORESCENT LENSED DOWNLIGHT
 SEMI-SPECULAR REFLECTOR WITH WHITE CONE AND FRESNEL LENS
 LUMEN RATING = 2400 LMS.
 1-32W PL-T LAMP,



ANGLE	CANDLEPOWER				
	ALONG 22.5	45	67.5	ACROSS	LUMENS
0	656	656	656	656	656
5	649	654	657	660	662
10	626	639	650	660	669
15	588	605	622	639	654
20	525	546	567	592	617
25	452	479	501	526	563
30	378	419	432	450	490
35	312	363	361	370	405
40	256	303	290	297	322
45	200	233	225	231	244
50	144	156	165	171	180
55	99	115	115	117	120
60	66	74	76	77	79
65	46	48	49	50	52
70	35	36	37	38	39
75	26	27	27	27	29
80	16	17	17	19	19
85	7	9	9	9	9
90	1	1	1	1	1

ZONE	ZONAL LUMENS AND PERCENTAGES		
	LUMENS	% LAMP	% LUMINAIRE
0-30	468	19.51	44.30
0-40	697	29.07	66.29
0-60	956	40.28	91.86
0-90	1052	43.86	100.00
40-90	354	14.76	33.71
60-90	85	3.57	8.14
90-180	0	.00	.00
0-180	1052	43.86	100.00

**** EFFICIENCY = 43.9% ****

Coefficients Of Utilization

ROOM CAVITY RATIO	% EFFECTIVE CEILING CAVITY REFLECTANCE															
	80			70			50			30			10			0
	50	30	10	50	30	10	50	30	10	50	30	10	50	30	10	0
1	.48	.46	.45	.47	.46	.44	.45	.44	.43	.43	.43	.42	.42	.41	.41	
2	.44	.42	.40	.42	.41	.39	.41	.40	.38	.40	.39	.38	.39	.38	.37	
3	.40	.37	.35	.39	.37	.35	.38	.38	.34	.37	.35	.34	.36	.33	.33	
4	.37	.34	.32	.36	.34	.32	.35	.33	.31	.34	.32	.31	.34	.32	.30	
5	.34	.31	.29	.33	.31	.28	.33	.30	.28	.32	.30	.28	.31	.29	.27	
6	.31	.28	.26	.31	.28	.26	.30	.28	.26	.29	.27	.25	.25	.27	.25	
7	.29	.26	.23	.28	.25	.23	.25	.25	.23	.27	.25	.23	.27	.25	.22	
8	.26	.23	.21	.26	.23	.21	.26	.23	.21	.25	.23	.21	.25	.23	.21	
9	.24	.21	.19	.24	.21	.19	.24	.21	.19	.23	.21	.19	.23	.21	.19	
10	.23	.20	.18	.22	.20	.18	.22	.20	.18	.22	.20	.18	.22	.20	.19	

20% FLOOR CAVITY REFLECTANCE

Conversion Factors: 1 Lt-32W PLT: Opal Diffuser, CU x 0.8; Clear Lens, CU x 1.0.
 1 Lt-26W PLT: Fresnel Lens, CU x 1.1; Opal Diffuser, CU x 0.9; Clear Lens, CU x 1.1.

