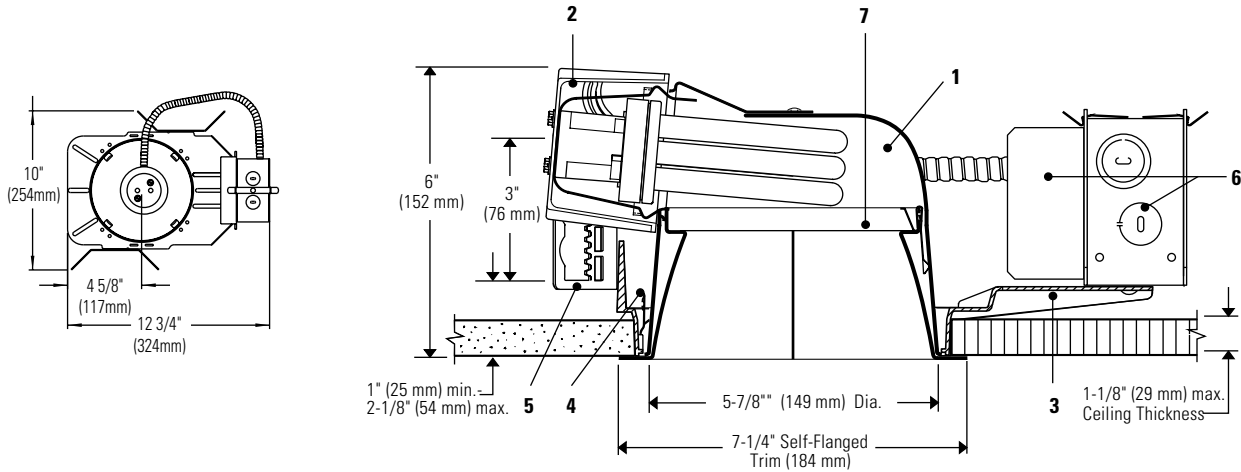


Project: _____
 Location: _____
 Cat.No: _____
 Type: _____
 Lamps: _____ Qty: _____
 Notes: _____



Reflector Trim	Frame-In Kit
8091CBW White Cone, White Flange 8091CBA Aluminum Cone, White Flange	S6132BU 6" aperture, 1 lamp 26/32W Triple Tube CFL (120/277V) 4-Pin (Amalgam) Dimming Options: S6132B <input type="checkbox"/> CU3 Lightolier PowerSpec 3% Dimming (120/277V) J1LD3 Lutron 5% Dimming (120V) J2LD3 Lutron 5% Dimming (277V) JUM7 Mark 7 Dimming (120/277V) J1MX Mark 10 Dimming (120V) J2MX Mark 10 Dimming (277V) Other dimming product available, please consult factory
	Remodeler Frame-In Kits
	6126BURM 6" aperture, 1 lamp 26W Triple Tube CFL (120/277V) 4-Pin (Amalgam) 6132BURM 6" aperture, 1 lamp 26/32W Triple Tube CFL (120/277V) 4-Pin (Amalgam)

Features

- 1. Reflector:** 16 ga. Die-formed aluminum, Anobrite® finish.
- 2. Socket Cup:** Effectively dissipates heat and positions lamp holder. Snaps onto reflector neck to assure consistently correct optical alignment without tools.
- 3. Mounting Frame:** Galvanized steel for dry or plaster ceilings. Accepts other 6" Triple Tube reflectors (see S6132BU Spec Sheet).
- 4. Retaining Springs:** Precision-tooled steel friction springs secure reflector to mounting frame for quick, tool-less installation.
- 5. Mounting Brackets:** 16 ga. steel. Adjust from inside of fixture. Use 3/4" or 1 1/2" lathing channel, 1/2" EMT, or optional mounting bars.
- 6. Ballast/J-Box:** Electronic 120V-277V. UL listed for through branch circuit wiring with max of (8) No. 12AWG, 90°C supply conductors. Outboard-mounted to reduce heat transfer and maintain lamp efficacy and life. Service from below without tools.

- 7. Cross Blade Louver:** Die-formed, 16 ga. aluminum, matte white or painted aluminum finish. Accepts lens (consult factory). 50° cutoff to lamp, medium beam. Keyed for orientation.

Electrical

Note: For ballast electrical data and latest lamp/ballast compatibility refer to "Ballast" specification sheet for complete electrical data.

UL Listed for through branch circuit wiring with max of (8) No 12 AWG, 90 degree C supply conductors.

