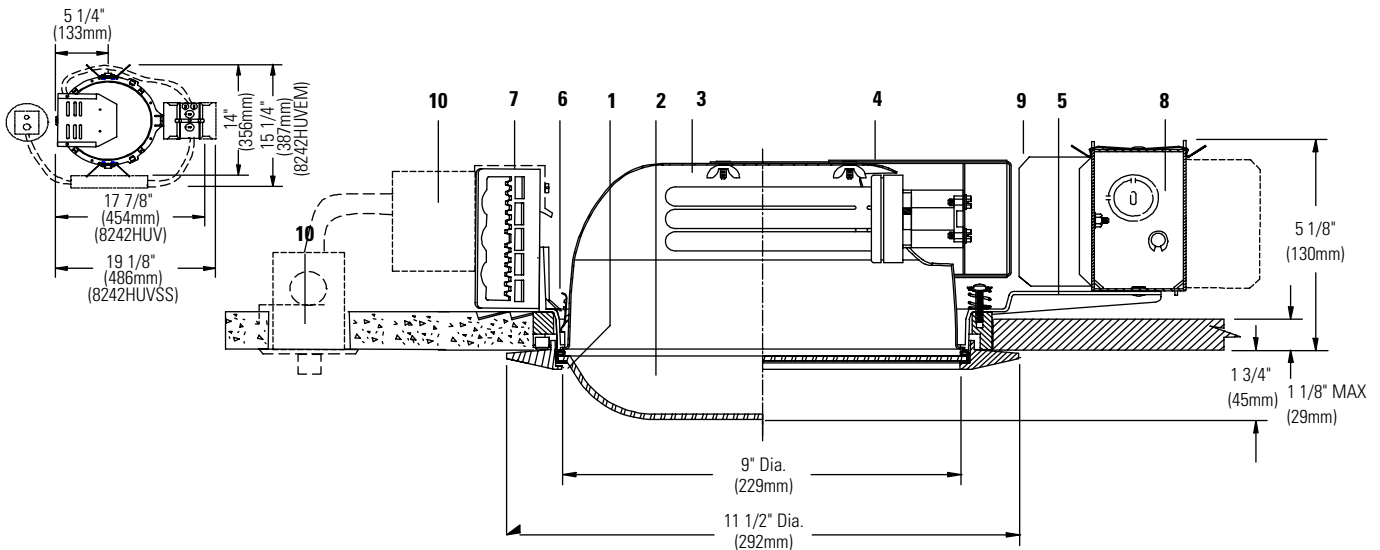


## Calculite CFL 8 3/4", (2) 26/32/42W Triple Tube Vandal / Wet Location

Project:	Catalog No:	Mfg:
Location:	Fixture Type:	Qty:
Notes:		Lamps:



Ceiling Cutout: 5 1/16" (129 mm) Dia.

Reflector Trim	Frame-In Kit	Lamp
<b>8098VWH</b> Flush Lens / White Flange	<b>8242HUVADV</b> 120/277V Universal <b>8242HCUV3</b> 120/277V Universal Dimming <b>S8242HUVSS</b> 120/277V Universal Separate Switch <b>S8242HUVEM</b> 120/277V Universal Emergency	<b>(2) 26/32/42W Triple Tube 4-Pin</b>

### Features

- Rotolock Ring:** Die-cast aluminum; matte white finish. Sealed o-ring construction provides the wet location seal. Single allen-head set screw locks the ring in place to prevent vandalism.
- Lens:** High impact acrylic, semi-transparent diffuser. Available in Flush lens.
- Reflector:** 16 Ga. Die-formed aluminum, clear anodized finish.
- Socket Bracket:** Die-formed steel. Attaches to reflector without tools, assures proper optical alignment of lamps.
- Mounting Frame:** Die-cast aluminum suitable for dry or plaster ceilings.
- Retaining Springs:** Rust resistant springs simplify reflector/housing removal for inspection and maintenance.
- Mounting Brackets:** 16 ga. steel. Adjustable from inside of fixture. Use 3/4" or 1 1/2" lathing channel, 1/2" EMT, or optional mounting bars (Order separately, see options and accessories.).
- Junction Box:** 14 ga. steel, 4" (102 mm) x 3 1/2" (89 mm) x 2" (51 mm) box, allows inspection from below. UL certified for through branch circuit wiring with maximum of 8 no. 12, 90° C conductors.
- Electronic Ballast:** High Power Factor, thermally protected class "P", no visible flicker on starting, internally fused and protection circuit for lamp end-of-life. Sound rated "A". Designed for tool-less removal from inside of fixture. Separate Switching Frame-in Kit is equipped with two separate ballasts.
- Emergency Battery Pack Frame-In Kit:** Electronic, fully encased and prewired nickel cadmium long life battery replaceable from below. Test switch and charge light included in easy to install recessed switch box with 4-1/2" dia. matte white cover plate; switch box and charge light can be installed up to 50 feet from fixture. One lamp is illuminated at initial lumens of 450 (26W), 575 (32W) and 750 (42W) light output for 90 mins when power fails.

### Electrical

**Note:** For ballast electrical data, latest lamp / ballast compatibility, refer to "Ballast" specification sheet.

### Options and Accessories

#### Optional Mounting Bars

- 1950** 18" long (set of 2)
- 1951** 27" long (set of 2)
- 7994** Wood joist telescoping mounting bars (minimum of 13-1/4" and maximum of 24-1/2")

#### T-Bar Anchor Clips

- 1956** Set of 4 for use with 18" or 27" mounting bars

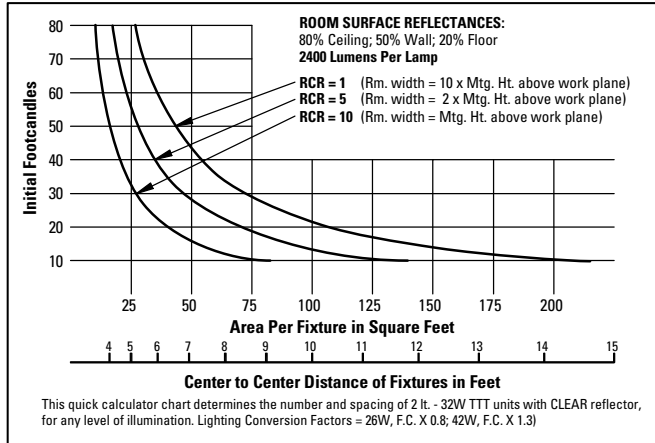
Emergency Ltg. Kit      **FA EM3E** or **FA EM4** (See Spec. Sheet: FAEM)  
Fuse (Slow Blow)      Add suffix **F**

### Labels

UL listed for wet locations, I.B.E.W. Union Made

## Calculite CFL 8 3/4",(2) 26/32/42W Triple Tube Vandal / Wet Location

### Flush Lens 2-32W Triple Tube Quick Calculator



### Coefficients Of Utilization

ROOM CAVITY RATION	Ceiling Cavity Reflectance															
	80			70			50			30			10			0
	50	30	10	50	30	10	50	30	10	50	30	10	50	30	10	0
1	.45	.44	.42	.45	.43	.42	.43	.41	.40	.41	.40	.39	.39	.39	.38	.37
2	.40	.38	.35	.39	.37	.35	.38	.36	.34	.37	.35	.33	.35	.34	.33	.32
3	.36	.32	.30	.35	.32	.30	.34	.31	.29	.33	.30	.29	.32	.30	.28	.27
4	.32	.28	.26	.31	.28	.26	.30	.27	.25	.29	.27	.25	.28	.26	.25	.24
5	.29	.25	.22	.28	.25	.22	.27	.24	.22	.26	.24	.22	.26	.23	.21	.21
6	.26	.22	.19	.25	.22	.19	.24	.21	.19	.24	.21	.19	.23	.21	.19	.18
7	.23	.19	.17	.23	.19	.17	.22	.19	.17	.21	.18	.16	.21	.18	.16	.15
8	.21	.17	.15	.20	.17	.15	.20	.17	.15	.19	.17	.14	.19	.16	.14	.14
9	.19	.15	.13	.19	.15	.13	.18	.15	.13	.18	.15	.13	.17	.15	.13	.12
10	.17	.14	.12	.17	.14	.11	.17	.14	.11	.16	.13	.11	.16	.13	.11	.11

For 26W and 42W lamps, multiply C.U.'s X 1.0.

### Spacing Ratio = 1.3

