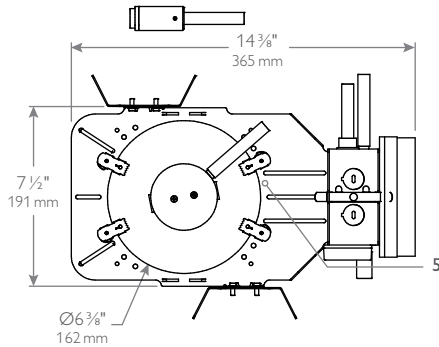


C6E170HW

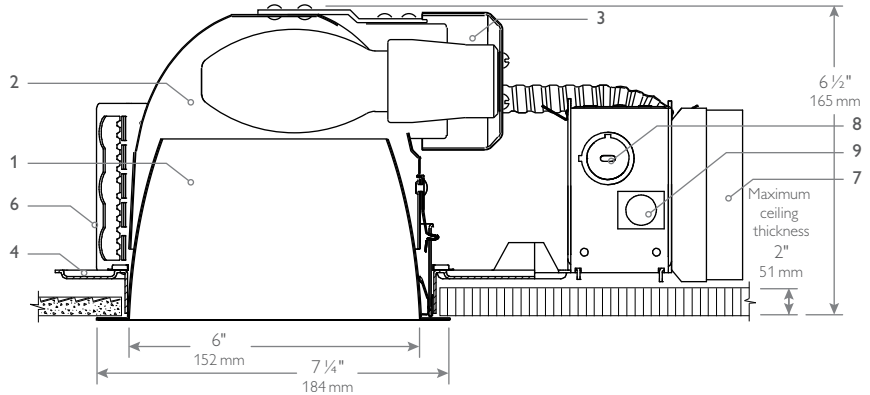
Calculite HID 6", ED17 (Open Rated), Ceramic Metal Halide, Wide Beam

Page 1 of 2

Project:	Catalog No:	Mfg:
Location:	Fixture Type:	Qty:
Notes:		Lamps:



Ceiling Cutout: 6 9/16" (167 mm) Dia.
Complete Fixture: Frame-In Kit + Reflector Trim.



Ordering guide

example: SC610MHOE1 + C6E170HWCLW

Frame-In Kit Series	Lamp (Coated, Ceramic Metal Halide)	Voltage	Fuse
SC6 Calculite 6" Steel Frame	10MHO 100W, E17, ED17, BD17 (Open Rated)	E1 120V E2 277V U Universal	A Auxiliary ¹
	70MHO 70W, E17, ED17, B17, (Open Rated)	E1 120V E2 277V E1-347 347V U Universal	A Auxiliary ² -F3 Fuse ³

Reflector Trim	Reflector	Flange	Options
C6E170HW Calculite HID Downlight	CL Clear	W White (painted)	A Auxiliary ⁴
	CCD Comfort Clear Diffuse	P Polished (matches aperture)	

1. Only available with Universal voltage.
 3. Fuse is only used with 347V.

2. For 120V or universal voltage, consult factory for 277V. See spec. sheet "A-E".
 4. Only available with Clear reflector (CL). Consult factory for other options.

Features

- Lower Reflector:** Provides 55° visual cut-off to lamp and lamp image; self-flange in painted white or aperture-matching polished flange. Consult factory for other finishes.
- Aperture Cone:** Clear anodized aluminum, 0.040" (16-ga.). Can be removed for accessibility, inspection and maintenance of ballast/junction box assembly.
- Socket Cup:** Galvanized steel, pre-wired with medium base pulse rated socket. Snaps onto upper reflector for secure attachment without tools; unitized construction assures proper lamp alignment to optics for consistent performance.
- Mounting Frame:** Galvanized stamped steel for dry or plaster ceilings.
- Retaining Springs:** Precision-tooled steel friction springs secure reflector to mounting frame for quick, tool-less installation.
- Mounting Brackets:** Galvanized steel. Adjustable through aperture. Use lathing channel (3/4" or 1 1/2"), 1/2" EMT, or optional mounting bars. See Options and Accessories for optional mounting bars.
- Ballast:** Electronic 120V or 277V. Accessible from below for inspection and/or replacement without tools.
- Junction Box:** galvanized steel. UL listed for 8 No. 12 AWG, 90°C through branch circuit conductors; allows inspection from below.
- Thermal Protector:** Meets NEC and UL requirements. Do not install insulation above nor within 3" (76mm) of any part of the luminaire.

Electrical

Electronic Ballast: 120V or 277V, 50/60 Hz., encased, high-power factor, T.H.D. <15%, thermally and transient protected, RMI / RFI complies with FCC Part 18 non-consumer equipment, shut-down circuit at end of lamp life, sound rating "A", -5°F minimum starting temperature, Type 1 outdoor rating.

Ballast	ANSI Code	Voltage	Max. Current	Input Power
70W MH	M98/M139	120/277	0.67/0.29 A	78 W
100W MH	M90/M140	120/277	0.90/0.43 A	110 W

Options and Accessories

- 1950 18" Mounting Bars (set of 2)
- 1951 27" Mounting Bars (set of 2)
- 1956 Set of 4 for use with 18" or 27" mounting bars
- 7994 Adjustable Residential Mounting Bars
- Emergency Lamp:** Consult Factory.
- Slope Ceiling Adapters:** See Spec Sheet SCA.
- Chicago Plenum:** Consult Factory.

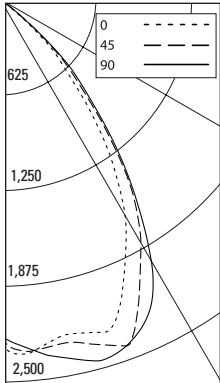
Labels

UL (Suitable for Damp Locations), CSA, I.B.E.W.
 In some cases, mark spacing may apply.
 - 2ft spacing - SC670MHOE1-347
 SC670MHOE1-347-F3
 SC610MHOE1-347

Calculite HID 6", ED17 (Open Rated), Ceramic Metal Halide, Wide Beam

70W ED17 OPEN RATED PHILIPS CMH LAMP, LUMEN RATING = 5700 LMS, ELECTRONIC AROMAT BALLAST, CL FINISH TRIM

CANDLEPOWER DISTRIBUTION



ANGLE	0°	45°	90°
0	2199	2199	2199
5	2316	2307	2295
10	2239	2285	2376
15	2254	2332	2445
20	2217	2409	2409
25	1925	2146	2280
30	1631	1837	1973
35	1255	1477	1508
40	842	1004	1050
45	526	628	686
50	177	251	255
55	20	23	28
60	6	6	6
65	2	3	3
70	1	1	2
75	0	1	0
80	0	1	0
85	0	0	0
90	0	0	0

LUMINANCE SUMMARY - CD. / SQ. M.

ANGLE	0°	45°	90°
45	40771	48897	53373
55	1947	2203	2684
65	291	382	337
75	73	219	73
85	0	0	0

ZONAL LUMENS AND PERCENTAGES			
ZONE	LUMENS	% LAMP	% LUMINAIRE
0-30	1849	32.45	56.6
0-40	2728	47.86	83.47
0-60	3263	57.26	99.87
0-90	3268	57.34	100
40-90	540	9.48	16.53
60-90	4	0.08	0.13
90-180	0	0	0
0-180	3268	57.34	100

Coefficients of Utilization

CEILING	80%		70%		50%		30%		0		
	70	50	30	10	50	10	50	10			
WALL	Zonal Cavity Method - Effective Floor Cavity Reflectance = 20%										
RCR	Zonal Cavity Method - Effective Floor Cavity Reflectance = 20%										
0	.68	.68	.68	.68	.67	.67	.64	.64	.61	.61	.57
1	.65	.64	.62	.61	.63	.60	.60	.58	.58	.57	.54
2	.62	.60	.58	.56	.59	.55	.57	.54	.55	.53	.51
3	.59	.56	.53	.51	.55	.50	.53	.50	.52	.49	.47
4	.56	.52	.49	.47	.52	.47	.50	.46	.49	.46	.44
5	.53	.49	.45	.43	.48	.43	.47	.43	.46	.42	.41
6	.51	.46	.42	.40	.45	.40	.44	.40	.44	.39	.38
7	.48	.43	.39	.37	.42	.37	.41	.36	.41	.36	.35
8	.45	.40	.36	.34	.39	.34	.39	.34	.38	.33	.32
9	.42	.37	.33	.31	.36	.31	.36	.31	.35	.31	.30
10	.40	.34	.31	.28	.34	.28	.33	.28	.33	.28	.27

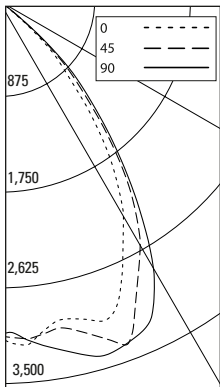
LUMINAIRE INPUT WATTS = 78

** EFFICIENCY = 57.3% **
SC = 1.2

CERTIFIED TEST REPORT NO. 2380FR, DATE: NOV 22, 2003
COMPUTED BY LSI PROGRAM **TEST-LITE**

100W ED17 OPEN RATED CMH LAMP, LUMEN RATING = 8500 LMS, ELECTRONIC AROMAT BALLAST, CL FINISH TRIM

CANDLEPOWER DISTRIBUTION



ANGLE	0°	45°	90°
0	3063	3063	3063
5	3152	3102	3117
10	2979	3043	3239
15	3014	3150	3364
20	3044	3348	3351
25	2675	2970	3248
30	2276	2582	2824
35	1783	2072	2163
40	1214	1447	1530
45	760	915	1005
50	271	361	397
55	24	27	42
60	3	5	6
65	1	2	1
70	0	0	0
75	0	0	0
80	0	0	0
85	0	0	0
90	0	0	0

LUMINANCE SUMMARY - CD. / SQ. M.

ANGLE	0°	45°	90°
45	58940	71209	78198
55	2321	2601	4064
65	146	294	147
75	0	0	0
85	0	0	0

ZONAL LUMENS AND PERCENTAGES			
ZONE	LUMENS	% LAMP	% LUMINAIRE
0-30	2550	30.01	55.79
0-40	3796	44.66	83.04
0-60	4569	53.76	99.95
0-90	4571	53.79	100
40-90	775	9.12	16.96
60-90	2	0.02	0.05
90-180	0	0	0
0-180	4571	53.79	100

Coefficients of Utilization

CEILING	80%		70%		50%		30%		0		
	70	50	30	10	50	10	50	10			
WALL	Zonal Cavity Method - Effective Floor Cavity Reflectance = 20%										
RCR	Zonal Cavity Method - Effective Floor Cavity Reflectance = 20%										
0	.64	.64	.64	.64	.63	.63	.60	.60	.57	.57	.54
1	.61	.60	.58	.57	.59	.56	.56	.55	.54	.53	.51
2	.58	.56	.54	.52	.55	.51	.53	.50	.52	.49	.47
3	.55	.52	.50	.48	.51	.47	.50	.46	.49	.46	.44
4	.53	.49	.46	.44	.48	.44	.47	.43	.46	.43	.41
5	.50	.46	.42	.40	.45	.40	.44	.40	.43	.39	.38
6	.47	.43	.39	.37	.42	.37	.41	.37	.41	.37	.36
7	.45	.40	.36	.34	.39	.34	.39	.34	.38	.34	.33
8	.42	.37	.34	.31	.36	.31	.36	.31	.35	.31	.30
9	.40	.34	.31	.29	.34	.29	.33	.28	.33	.28	.28
10	.37	.32	.28	.26	.32	.26	.31	.26	.31	.26	.25

LUMINAIRE INPUT WATTS = 110

** EFFICIENCY = 53.8% **
SC = 1.3

CERTIFIED TEST REPORT NO. 2381FR, DATE: MAR 21, 2004
COMPUTED BY LSI PROGRAM **TEST-LITE**



©2014 Koninklijke Philips N.V. All rights reserved.
Philips reserves the right to make changes in specifications and/or to discontinue any product at any time without notice or obligation and will not be liable for any consequences resulting from the use of this publication.
philips.com/luminaires

C6E170HW 02/15

Philips Lighting,
North America Corporation
200 Franklin Square Drive,
Somerset, NJ 08873
Tel. 855-486-2216

Imported by: Philips Lighting,
A division of Philips Electronics Ltd.
281 Hillmount Rd, Markham, ON,
Canada L6C 2S3
Tel. 800-668-9008