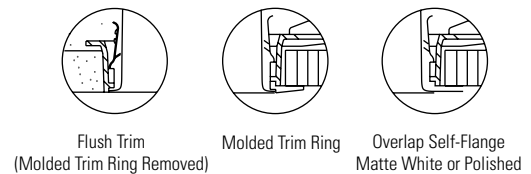
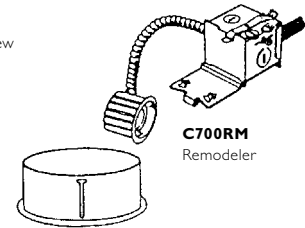
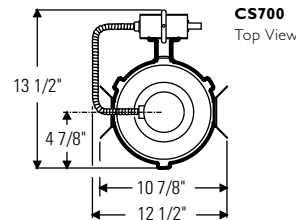
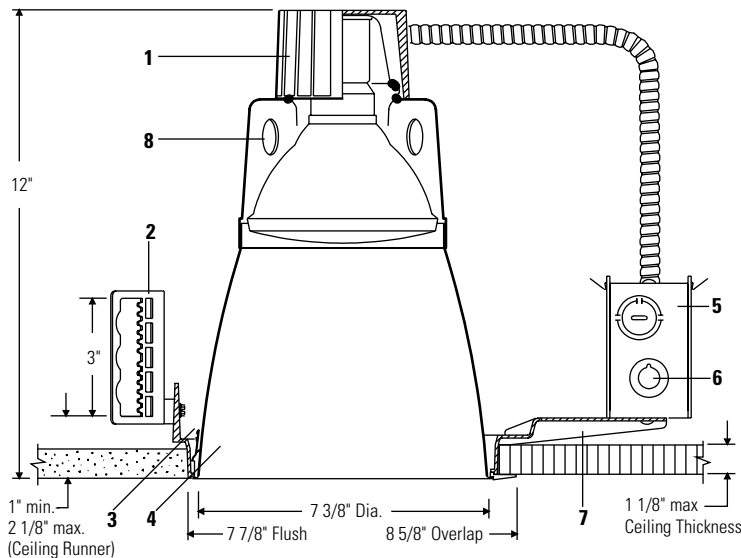


Project:	Catalog No:	Mfg:
Location:	Fixture Type:	Qty:
Notes:		Lamps:



**Ceiling Cutout: CS700 8" Dia.**  
**Ceiling Cutout: C700RM 8" Dia.**

### Ordering guide

Trims	Reflector	Flange	Frame-In Kit	Lamp
<b>C7709</b> Calulite PAR38 Incandescent 7 <sup>3</sup> / <sub>8</sub> " Open Downlight	<b>CL</b> Specular Clear <b>CCD</b> Comfort Clear Diffuse <b>GD</b> Specular Gold <b>BK</b> Specular Black	<b>W</b> White <b>P</b> Polished <b>-</b> Flangeless - Leave Blank (molded trim ring)	<b>CS700</b> New Construction <b>CS700LC</b> New Construction Chicago Air Plenum <sup>1</sup> <b>C700RM</b> Remodeler <sup>2</sup>	<b>PAR38</b> 150W Cool Beam <b>PAR38</b> 250W

- Requires access from above ceiling.
- For use in existing ceilings with 3/8" min. to 2" max. thickness.

### Features

- Socket Cup:** Galvanized steel cup effectively dissipates heat and assures lamps maintain proper optical alignment to reflector. Snaps onto reflector neck for easy tool-less installation. Contains medium base porcelain socket with nickel plated screw shell wired with No. 18 SF1 leads to J-Box.
- Mounting Brackets:** Adjusts vertically from inside of fixture. Durable 16 ga. steel construction. Use with standard 3/4" or 1 1/2" lathing channels, or 1/2" (11/16" O.D.) EMT pipe (by others), or Lightolier mounting bars.
- Retaining Springs:** Precision tooled springs secure reflector to mounting frame for quick tool-less installation.
- Reflector:** 6 ga. Specular aluminum, 45° visual cut-off to lamp and lamp image. Available with white molded, or with polished flange, or with removable white molded trim ring (field paintable).
- Junction Box:** 14 ga. steel, 4" x 3 1/2" x 2" box allows inspection from below.
- Thermal Protector:** Meets NEC and UL requirements. Insulation must be kept 3" away from fixture sides and wiring compartments and must not be placed above fixture in a manner which will entrap heat.
- Mounting Frame:** Galvanized steel suitable for dry or plaster ceilings. Provides flangeless trim in plaster ceiling.
- Vent Holes:** Provide proper ventilation for lamps.

### Options and Accessories

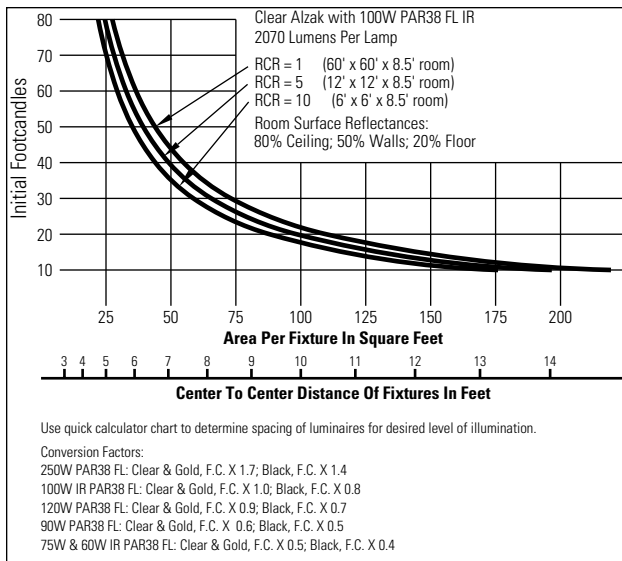
- 1950** 18" Mounting Bars (set of 2)
- 1951** 27" Mounting Bars (set of 2)
- 1956** T-Bar Anchor Clips (set of 4, for 1950 & 1951)
- 7994** Wood Joist Mounting Bars (set of 2)
- 7920** Sloped Ceiling Adapter (see **SCA** spec sheet)
- 7998** Existing Ceiling Clips (set of 2)
- 7997** Step Down Transformer (see **7997** spec sheet)

### Electrical

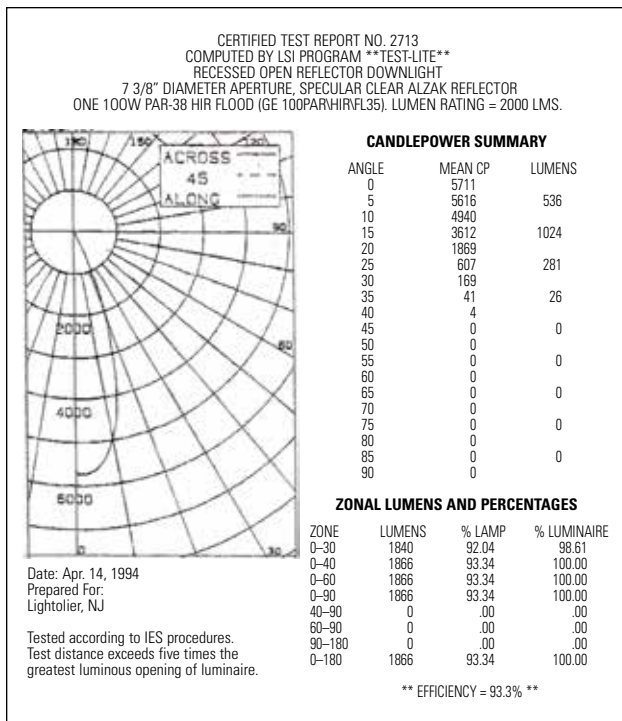
- CS700** UL Listed for through branch circuit wiring with max. of (8) No. 12 90°C supply conductors
- AWG** 90°C supply conductors
- C700RM** UL Listed for No. 12 AWG 60°C supply conductors

### Labels

UL Listed (suitable for damp locations), I.B.E.W.



Spacing Ratio = 0.6



Coefficients of Utilization																			
% Effective Ceiling Cavity Reflectance																			
% Wall Reflectance																			
Room Cavity Ratio	80			70			50			30			10			0			
	50	30	10	50	30	10	50	30	10	50	30	10	50	30	10	50	30	10	
1	1.06	1.05	1.04	1.05	1.03	1.02	1.01	1.00	.99	.97	.97	.96	.94	.94	.93	.92	.92	.91	.90
2	1.03	1.00	.98	1.01	.99	.97	.98	.97	.95	.96	.95	.93	.93	.92	.91	.90	.89	.88	.88
3	1.00	.97	.95	.98	.96	.94	.96	.94	.93	.94	.93	.91	.93	.91	.90	.89	.88	.88	.88
4	.97	.94	.92	.96	.94	.91	.94	.92	.90	.93	.91	.90	.91	.90	.89	.88	.88	.88	.88
5	.95	.91	.89	.94	.91	.89	.92	.90	.88	.91	.89	.87	.90	.88	.87	.86	.85	.84	.83
6	.93	.90	.88	.92	.89	.87	.91	.89	.87	.90	.88	.86	.89	.87	.86	.85	.84	.83	.82
7	.90	.87	.85	.90	.87	.85	.89	.86	.85	.88	.86	.84	.87	.85	.84	.83	.82	.81	.80
8	.88	.85	.84	.88	.85	.83	.87	.85	.83	.86	.84	.83	.86	.84	.82	.81	.80	.79	.79
9	.87	.84	.82	.86	.84	.82	.86	.83	.81	.85	.83	.81	.84	.82	.81	.80	.79	.78	.77
10	.85	.82	.80	.85	.82	.80	.84	.82	.80	.84	.81	.80	.83	.81	.80	.79	.78	.77	.76

20% Floor Cavity Reflectance  
45W to 250W PAR38 FL:  
Clear and Gold, C.U. x 1.0; Black, C.U. x 0.8.



© 2013 Koninklijke Philips N.V. All rights reserved.  
Specifications are subject to change without notice.  
[www.philips.com/luminaires](http://www.philips.com/luminaires)

C7709 03/14

Philips Lighting Company  
200 Franklin Square Drive  
Somerset, NJ 08873  
Phone: 855-486-2216

Philips Lighting Company  
281 Hillmount Road  
Markham ON, Canada L6C 2S3  
Phone: 855-486-2216