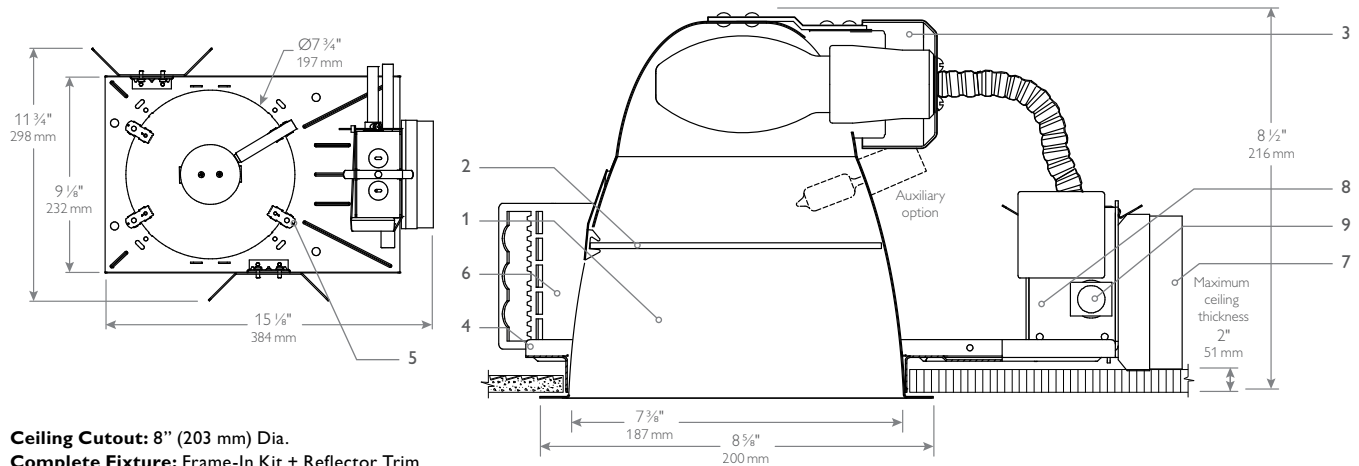


Project:	Catalog No:	Mfg:
Location:	Fixture Type:	Qty:
Notes:		Lamps:



**Ceiling Cutout:** 8" (203 mm) Dia.  
**Complete Fixture:** Frame-In Kit + Reflector Trim.

### Ordering guide

example: SC710MHOE1A + C7E17HWCLWA

Frame-In Kit Series	Lamp (Coated, Ceramic Metal Halide)	Voltage	Fuse
<b>SC7</b> Calculite 7" Steel Frame	<b>10MH</b> 100W, ED17, BD17, (Enclosed)	<b>E1</b> 120V	<b>A</b> Auxiliary
	<b>70MH</b> 70W, ED17, B17, (Enclosed)	<b>U</b> Universal	<b>E</b> Emergency <sup>1</sup>
		<b>E2</b> 277V	
		<b>E1-347</b> 347V	<b>F3</b> Fuse <b>AF3</b> Auxiliary and Fuse

Reflector Trim	Reflector	Flange	Options
<b>C7E17HW</b> Calculite HID Downlight	<b>CL</b> Clear	<b>W</b> White (painted)	<b>A</b> Auxiliary <sup>2</sup>
	<b>CCD</b> Comfort Clear Diffuse	<b>P</b> Polished (matches aperture)	

1. Only available in 70W lamp with 120V voltage.

2. Only available with Clear reflector (CL) with White flange (W). Consult factory for other options.

### Features

- Reflector Trim:** Clear anodized aluminum, 0.040" (16-ga.). Provides Wide beam distribution; 50° visual cut-off to lamp and lamp image; self-flange in painted white or aperture-matching polished flange. Consult factory for other finishes.
- Lamp Shield:** High heat resistant glass (as required by code).
- Socket Cup:** Galvanized steel. Pre-wired with socket. Snaps onto upper reflector for secure attachment without tools; assures proper lamp alignment to optics for consistent performance.
- Mounting Frame:** Galvanized stamped steel for dry or plaster ceilings.
- Retaining Springs:** Precision-tooled steel friction springs secure reflector to mounting frame for quick, tool-less installation.
- Mounting Brackets:** Galvanized steel. Adjustable through aperture. Use lathing channel (3/4" or 1 1/2"), 1/2" EMT, or optional mounting bars. See Options and Accessories for optional mounting bars.

- Ballast:** Electronic 120V or 277V. Accessible from below for inspection and/or replacement without tools.
- Junction Box:** galvanized steel. UL listed for 8 No. 12 AWG, 90°C through branch circuit conductors; allows inspection from below.
- Thermal Protector:** Meets NEC and UL requirements. Do not install insulation above nor within 3" (76mm) of any part of the luminaire.

### Electrical

**Electronic Ballast:** 120V or 277V, 50/60 Hz., encased, high-power factor, T.H.D. <15%, thermally and transient protected, RMI / RFI complies with FCC Part 18 non-consumer equipment, shut-down circuit at end of lamp life, sound rating "A", -5°F minimum starting temperature, Type 1 outdoor rating.

Ballast	ANSI Code	Voltage	Max. Current	Input Power
70W MH	M198/M143	120/277	0.67/0.28 A	78 W
100W MH	M90/M140	120/277	0.90/0.43 A	110 W

### Options and Accessories

- 1950** 18" Mounting Bars (set of 2)
- 1951** 27" Mounting Bars (set of 2)
- 1956** Set of 4 for use with 18" or 27" mounting bars
- 7994** Adjustable Residential Mounting Bars
- Slope Ceiling Adapters:** See Spec Sheet SCA.
- Chicago Plenum:** Consult Factory.

### Labels

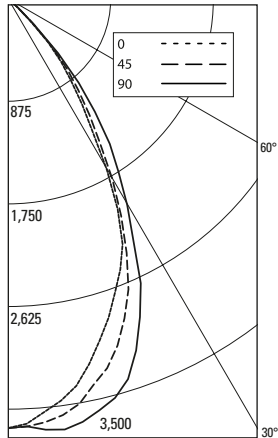
UL (Suitable for Damp Locations), I.B.E.W.

In some cases, mark spacing may apply.

- 2ft spacing - SC710MHE1, SC710MHE2, SC710MHE1A, SC770MHE1A, SC770MHE1-347, SC770MHE1-347F3, SC770MHE1-347AF3,
- 3ft spacing - SC710MHE1-347, SC710MHE1-347F3, SC710MHE1-347AF3

## Calculite HID 7", ED17 (Enclosed), Ceramic Metal Halide, Wide Beam

### 70W ED17 (ENCLOSED) PHILIPS COATED MH LAMP. LUMEN RATING = 6000 LMS., ELECTRONIC AROMAT BALLAST, CL FINISH REFLECTOR



ANGLE	0°	45°	90°
0	3661	3661	3661
5	3538	3625	3689
10	3352	3507	3664
15	3017	3262	3524
20	2666	2901	3192
25	2310	2392	2677
30	1684	1780	2031
35	1099	1210	1512
40	704	784	937
45	263	295	316
50	29	34	31
55	5	4	6
60	0	0	0
65	0	0	0
70	0	0	0
75	0	0	0
80	0	0	0
85	0	0	0
90	0	0	0

LUMINANCE SUMMARY - CD. / SQ. M.			
ANGLE	0°	45°	90°
45	13056	14682	15733
55	276	215	339
65	0	0	0
75	0	0	0
85	0	0	0

ZONAL LUMENS AND PERCENTAGES			
ZONE	LUMENS	% LAMP	% LUMINAIRE
0-30	2370	39.51	68.49
0-40	3175	52.93	91.77
0-60	3460	57.68	100
0-90	3460	57.68	100
40-90	284	4.75	8.23
60-90	0	0	0
90-180	0	0	0
0-180	3460	57.68	100

#### Coefficients of Utilization

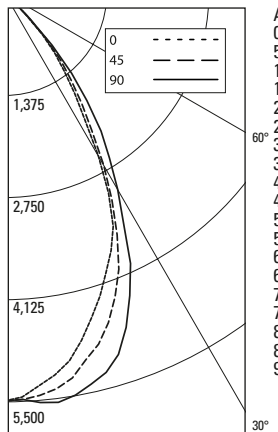
CEILING	80%				70%		50%		30%		0	
	70	50	30	10	50	10	50	10	50	10		
WALL	Zonal Cavity Method - Effective Floor Cavity Reflectance = 20%											
RCR	0	.69	.69	.69	.69	.67	.67	.64	.64	.61	.61	.58
1	.66	.65	.63	.62	.63	.61	.61	.59	.58	.56	.54	.52
2	.63	.61	.59	.57	.60	.57	.58	.55	.56	.54	.51	.50
3	.61	.58	.55	.53	.57	.53	.55	.52	.54	.51	.48	.47
4	.58	.55	.52	.50	.54	.49	.53	.49	.52	.48	.44	.43
5	.56	.52	.49	.47	.51	.46	.50	.46	.49	.46	.42	.41
6	.53	.49	.46	.44	.49	.44	.48	.43	.47	.43	.40	.39
7	.51	.46	.43	.41	.46	.41	.45	.41	.44	.40	.37	.36
8	.49	.44	.41	.39	.43	.38	.43	.38	.42	.38	.35	.34
9	.46	.41	.38	.36	.41	.36	.40	.36	.40	.36	.33	.32
10	.44	.39	.36	.34	.39	.34	.38	.34	.38	.34	.31	.30

LUMINAIRE INPUT WATTS = 78.0

\*\* EFFICIENCY = 57.7% \*\*  
SC(ALONG) = .9  
SC(CROSS) = 1.0

CERTIFIED TEST REPORT NO. 2621FR, DATE: MAY 20, 2004  
COMPUTED BY LSI PROGRAM \*\*TEST-LITE\*\*

### 100W ED17 (ENCLOSED) PHILIPS COATED MH LAMP. LUMEN RATING = 9000 LMS., ELECTRONIC AROMAT BALLAST, CL REFLECTOR TRIM



ANGLE	0°	45°	90°
0	5488	5488	5488
5	5304	5434	5530
10	5025	5258	5493
15	4523	4890	5284
20	3996	4349	4786
25	3461	3586	4013
30	2524	2667	3044
35	1646	1812	2265
40	1052	1173	1403
45	392	439	471
50	41	47	44
55	4	4	5
60	0	0	0
65	0	0	0
70	0	0	0
75	0	0	0
80	0	0	0
85	0	0	0
90	0	0	0

LUMINANCE SUMMARY - CD. / SQ. M.			
ANGLE	0°	45°	90°
45	19435	21873	23449
55	230	231	323
65	0	0	0
75	0	0	0
85	0	0	0

ZONAL LUMENS AND PERCENTAGES			
ZONE	LUMENS	% LAMP	% LUMINAIRE
0-30	3553	39.48	68.56
0-40	4759	52.88	91.84
0-60	5182	57.59	100
0-90	5182	57.59	100
40-90	423	4.7	8.16
60-90	0	0	0
90-180	0	0	0
0-180	5182	57.59	100

#### Coefficients of Utilization

CEILING	80%				70%		50%		30%		0	
	70	50	30	10	50	10	50	10	50	10		
WALL	Zonal Cavity Method - Effective Floor Cavity Reflectance = 20%											
RCR	0	.69	.69	.69	.69	.67	.67	.64	.64	.61	.61	.58
1	.66	.64	.63	.62	.63	.61	.61	.59	.59	.57	.55	.53
2	.63	.61	.59	.57	.60	.57	.58	.55	.56	.54	.51	.50
3	.61	.57	.55	.53	.57	.53	.55	.52	.54	.51	.48	.47
4	.58	.55	.52	.50	.54	.49	.53	.49	.52	.48	.44	.43
5	.56	.52	.49	.46	.51	.46	.50	.46	.49	.45	.42	.41
6	.53	.49	.46	.44	.48	.44	.48	.43	.47	.43	.40	.39
7	.51	.46	.43	.41	.46	.41	.45	.41	.44	.40	.37	.36
8	.49	.44	.41	.39	.43	.38	.43	.38	.42	.38	.35	.34
9	.46	.41	.38	.36	.41	.36	.40	.36	.40	.36	.33	.32
10	.44	.39	.36	.34	.39	.34	.38	.34	.38	.34	.31	.30

LUMINAIRE INPUT WATTS = 110

\*\* EFFICIENCY = 57.6% \*\*  
SC(ALONG) = .9  
SC(CROSS) = 1.0

CERTIFIED TEST REPORT NO. 2630FR, DATE: MAY 23, 2004  
COMPUTED BY LSI PROGRAM \*\*TEST-LITE\*\*



©2014 Koninklijke Philips N.V. All rights reserved.  
Philips reserves the right to make changes in specifications and/or to discontinue any product at any time without notice or obligation and will not be liable for any consequences resulting from the use of this publication.  
philips.com/luminaires

C7E17HW 04/15

Philips Lighting,  
North America Corporation  
200 Franklin Square Drive,  
Somerset, NJ 08873  
Tel. 855-486-2216

Imported by: Philips Lighting,  
A division of Philips Electronics Ltd.  
281 Hillmount Rd, Markham, ON,  
Canada L6C 2S3  
Tel. 800-668-9008