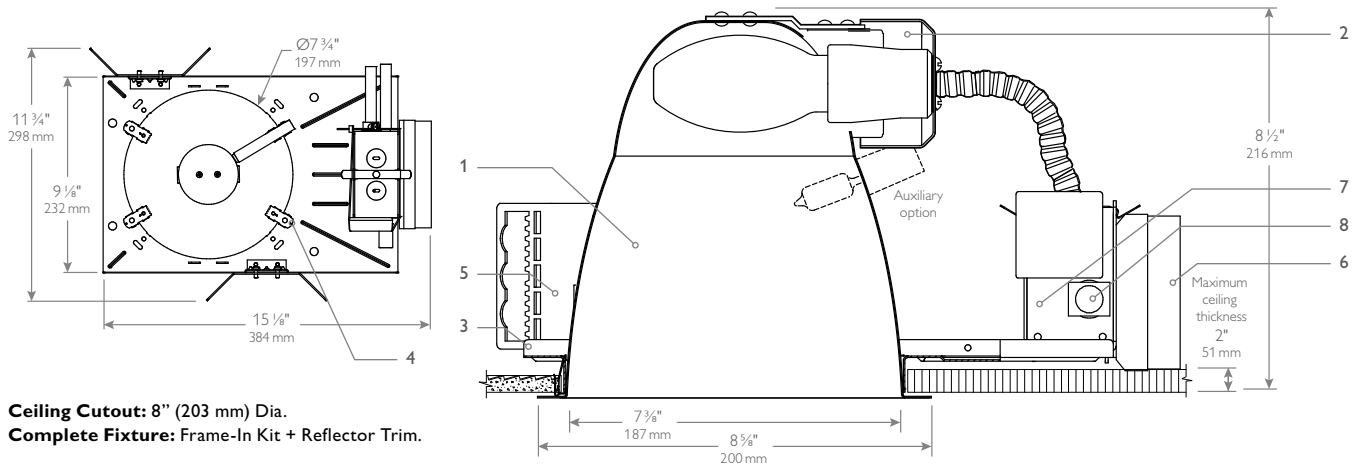


Calculite HID 7", ED17 (Open Rated), Ceramic Metal Halide, Wide Beam

Project:	Catalog No:	Mfg:
Location:	Fixture Type:	Qty:
Notes:		Lamps:



Ceiling Cutout: 8" (203 mm) Dia.
Complete Fixture: Frame-In Kit + Reflector Trim.

Ordering guide

example: SC710MHOE1A + C7E170HWCLWA

Frame-In Kit Series	Lamp (Coated, Ceramic Metal Halide)	Voltage	Fuse
SC7 Calculite 7" Steel Frame	10MHO 100W, E17, ED17, BD17, (Open Rated)	E1 120V	A Auxiliary ¹
	70MHO 70W, E17, ED17, B17, (Open Rated)	E2 277V E1-347 347V U Universal	
	15MHO 150W, E17, ED17, BD17, (Open Rated)	E1 120V E2 277V E1-347 347V	

Reflector Trim	Reflector	Flange	Options
C7E170HW Calculite HID Downlight	CL Clear CCD Comfort Clear Diffuse	W White (painted) P Polished (matches aperture)	A Auxiliary ²

1. Only available with 120V and universal voltage. See spec sheet "A-E".
 2. Consult factory for availability with Comfort Clear Diffuse reflector (CCD) and Polished flange (P).

Features

- Reflector Trim:** Anodized aluminum, 0.040" (16-ga.). Provides wide beam distribution. Provides 50° visual cut-off to lamp and lamp image; self-flange in painted white or aperture-matching polished flange. Consult factory for other finishes.
- Socket Cup:** Galvanized steel, pre-wired with socket. Snaps onto upper reflector for secure attachment without tools; assures proper lamp alignment to optics for consistent performance.
- Mounting Frame:** Galvanized stamped steel for dry or plaster ceilings.
- Retaining Springs:** Precision-tooled steel friction springs secure reflector to mounting frame for quick, tool-less installation.
- Mounting Brackets:** Galvanized steel. Adjustable through aperture. Use lathing channel (3/4" or 1 1/2"), 1/2" EMT, or optional mounting bars. See Options and Accessories for optional mounting bars.
- Ballast:** Electronic 120V or 277V. Accessible from below for inspection and/or replacement without tools.

- Junction Box:** galvanized steel. UL listed for 8 No. 12 AWG, 90°C through branch circuit conductors; allows inspection from below.
- Thermal Protector:** (Not Shown) Meets NEC and UL requirements. Do not install insulation above nor within 3" (76mm) of any part of the luminaire.

Electrical

Electronic Ballast: 120V or 277V, 50/60 Hz., enclosed, high-power factor, T.H.D. <15%, thermally and transient protected, RMI / RFI complies with FCC Part 18 non-consumer equipment, shut-down circuit at end of lamp life, sound rating "A", -50°F minimum starting temperature, Type 1 outdoor rating.

Ballast	ANSI Code	Voltage	Max. Current	Input Power
70W MH	M98/M139	120/277	0.67/0.29 A	78W
100W MH	M90/M140	120/277	0.90/0.43 A	110W
150W MH	M102	120/277	1.40/0.61 A	167W

Options and Accessories

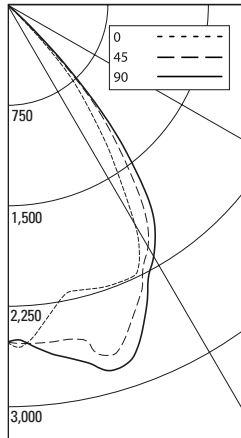
- 1950** 18" Mounting Bars (set of 2)
- 1951** 27" Mounting Bars (set of 2)
- 1956** Set of 4 for use with 18" or 27" mounting bars
- 7994** Adjustable Residential Mounting Bars
- Emergency lamp:** Consult Factory.
- Slope Ceiling Adapters:** See Spec Sheet SCA.
- Chicago Plenum:** Consult Factory.

Labels

UL (Suitable for Damp Locations), CSA, I.B.E.W.
 In some cases, mark spacing may apply.
 - 2ft spacing - SC770MHOE1A, SC770MHOE1-347, SC710MHOE1A, SC710MHOE1-347, SC710MHOE1, SC710MHOE2
 - 3ft spacing - SC715MHOE1, SC715MHOE2, SC715MHOE1-347

Calculite HID 7", ED17 (Open Rated), Ceramic Metal Halide, Wide Beam

70W ED17 (ENCLOSED) PHILIPS COATED METAL HALIDE LAMP: LUMEN RATING = 5700 LMS., AROMAT ELECTRONIC BALLAST, CL FINISH REFLECTOR TRIM



ANGLE	0°	45°	90°
0	2517	2517	2517
5	2462	2535	2572
10	2242	2537	2678
15	2201	2705	2823
20	2230	2610	2778
25	2233	2365	2464
30	1916	2096	2180
35	1322	1698	1886
40	823	1127	1271
45	234	349	480
50	20	20	51
55	5	8	8
60	2	3	3
65	0	1	1
70	0	1	0
75	0	0	0
80	0	0	0
85	0	0	0
90	0	0	0

LUMINANCE SUMMARY - CD. / SQ. M.			
ANGLE	0 Deg.	45 Deg.	90 Deg.
45	11611	17393	23922
55	306	466	466
65	0	71	57
75	0	23	0
85	0	0	0

Coefficients of Utilization

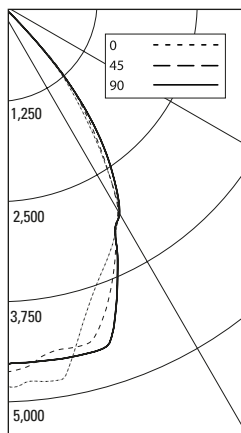
CEILING	80%				70%				50%				30%			
	70	50	30	10	50	10	50	10	50	10	50	10	50	10	50	10
WALL	Zonal Cavity Method - Effective Floor Cavity Reflectance = 20%															
RCR	Zonal Cavity Method - Effective Floor Cavity Reflectance = 20%															
0	.72	.72	.72	.72	.70	.70	.67	.67	.64	.64	.60	.60	.60	.60	.60	.60
1	.68	.67	.66	.64	.66	.63	.63	.61	.59	.57	.55	.55	.52	.52	.50	.50
2	.65	.63	.61	.59	.62	.58	.60	.57	.58	.56	.54	.52	.49	.49	.47	.47
3	.62	.59	.56	.54	.58	.54	.57	.53	.55	.52	.49	.47	.45	.44	.44	.44
4	.60	.56	.52	.50	.55	.50	.54	.49	.52	.49	.47	.45	.44	.43	.43	.43
5	.57	.52	.49	.46	.51	.46	.50	.46	.49	.46	.44	.42	.41	.41	.41	.41
6	.54	.49	.46	.43	.48	.43	.48	.43	.48	.43	.41	.40	.39	.38	.38	.38
7	.51	.46	.42	.40	.45	.40	.45	.40	.45	.40	.39	.38	.37	.36	.36	.36
8	.48	.43	.39	.37	.42	.37	.42	.37	.42	.37	.36	.35	.34	.34	.34	.34
9	.46	.40	.36	.34	.40	.34	.39	.34	.39	.34	.33	.32	.32	.32	.32	.32
10	.43	.37	.34	.31	.37	.31	.36	.31	.36	.31	.30	.29	.29	.29	.29	.29

LUMINAIRE INPUT WATTS = 78.0

** EFFICIENCY = 60.1% **
SC = 1.1

CERTIFIED TEST REPORT NO. 2418FR, DATE: FEB 10, 2004
COMPUTED BY LSI PROGRAM **TEST-LITE**

100W ED17 (ENCLOSED) PHILIPS COATED METAL HALIDE LAMP: LUMEN RATING = 8500 LMS., AROMAT, ELECTRONIC BALLAST, CL FINISH REFLECTOR TRIM



ANGLE	0°	45°	90°
0	4622	4622	4622
5	4767	4575	4529
10	4783	4421	4539
15	4151	4423	4544
20	3703	4033	4286
25	3387	3501	3570
30	3033	3024	3064
35	2201	2273	2443
40	1410	1566	1617
45	501	615	580
50	63	56	62
55	19	19	18
60	10	12	9
65	5	7	5
70	3	3	2
75	1	1	0
80	0	0	0
85	0	0	0
90	0	0	0

LUMINANCE SUMMARY - CD. / SQ. M.			
ANGLE	0 Deg.	45 Deg.	90 Deg.
45	24858	30607	28891
55	1140	1179	1075
65	422	611	376
75	153	153	0
85	0	0	0

Coefficients of Utilization

CEILING	80%				70%				50%				30%			
	70	50	30	10	50	10	50	10	50	10	50	10	50	10	50	10
WALL	Zonal Cavity Method - Effective Floor Cavity Reflectance = 20%															
RCR	Zonal Cavity Method - Effective Floor Cavity Reflectance = 20%															
0	.74	.74	.74	.74	.72	.72	.69	.69	.66	.66	.62	.62	.62	.62	.62	.62
1	.71	.69	.68	.67	.68	.66	.65	.64	.63	.62	.59	.58	.57	.56	.56	.56
2	.68	.65	.63	.61	.64	.60	.62	.59	.60	.58	.55	.54	.52	.51	.51	.51
3	.65	.61	.58	.56	.60	.56	.59	.55	.57	.54	.52	.49	.47	.46	.46	.46
4	.62	.58	.55	.52	.57	.52	.56	.51	.55	.51	.49	.47	.45	.44	.44	.44
5	.59	.54	.51	.48	.54	.48	.53	.48	.52	.47	.46	.45	.44	.43	.43	.43
6	.56	.51	.48	.45	.51	.45	.50	.45	.49	.45	.44	.43	.42	.41	.41	.41
7	.53	.48	.45	.42	.48	.42	.47	.42	.46	.41	.40	.39	.38	.37	.37	.37
8	.51	.45	.42	.39	.45	.39	.44	.39	.43	.38	.37	.36	.35	.35	.35	.35
9	.48	.42	.39	.36	.42	.36	.41	.36	.41	.36	.35	.34	.33	.33	.33	.33
10	.45	.40	.36	.34	.39	.34	.39	.34	.39	.34	.33	.32	.32	.32	.32	.32

LUMINAIRE INPUT WATTS = 110

** EFFICIENCY = 62.2% **
SC = 1.1

CERTIFIED TEST REPORT NO. 2267FR, DATE: JUN 23, 2003
COMPUTED BY LSI PROGRAM **TEST-LITE**



©2014 Koninklijke Philips N.V. All rights reserved.
Philips reserves the right to make changes in specifications and/or to discontinue any product at any time without notice or obligation and will not be liable for any consequences resulting from the use of this publication.
philips.com/luminaires
C7E170HW 04/15

Philips Lighting,
North America Corporation
200 Franklin Square Drive,
Somerset, NJ 08873
Tel. 855-486-2216

Imported by: Philips Lighting,
A division of Philips Electronics Ltd.
281 Hillmount Rd, Markham, ON,
Canada L6C 2S3
Tel. 800-668-9008