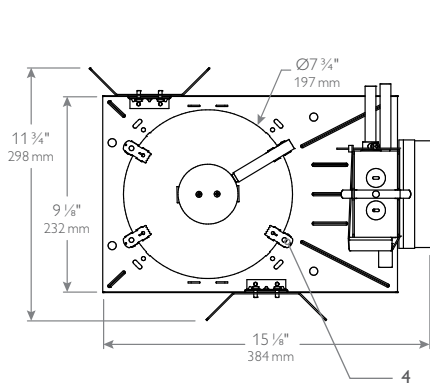
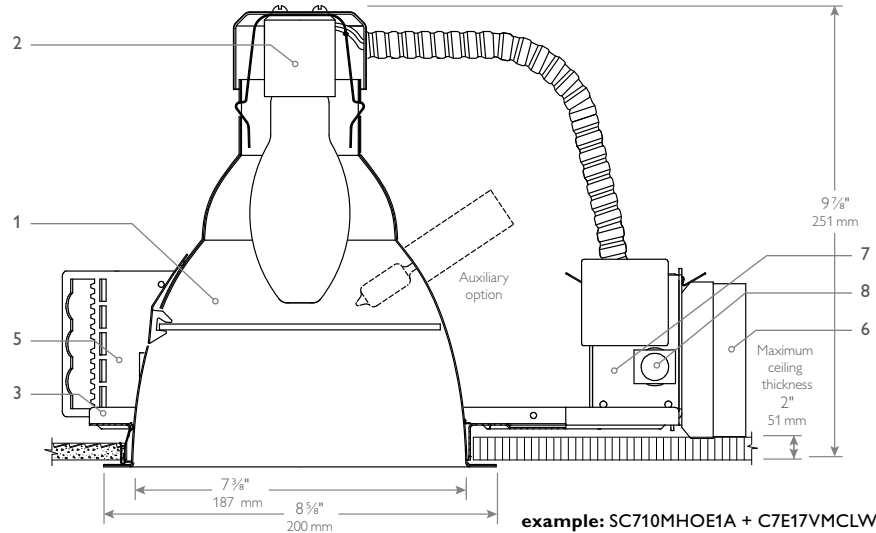


Calculite HID 7", ED17 (Enclosed), Ceramic Metal Halide, Medium Beam

Project:	Catalog No:	Mfg:
Location:	Fixture Type:	Qty:
Notes:		Lamps:



Ceiling Cutout: 8" (203 mm) Dia.
Complete Fixture: Frame-In Kit + Reflector Trim.



example: SC710MH0E1A + C7E17VMCLWA

Ordering guide

Frame-In Kit Series	Lamp (Coated, Ceramic Metal Halide)	Voltage	Fuse
SC7 Calculite 7" Steel Frame	10MH 100W, E17, ED17, BD17, (Open Rated)	E1 120V	A Auxiliary
	70MH 70W, E17, ED17, B17, (Open Rated)	U Universal	E Emergency ¹
		E2 277V	
		E1-347 347V	F3 Fuse AF3 Auxiliary and Fuse

Reflector Trim	Reflector	Flange	Options
C7E17VM Calculite HID Downlight	CL Clear	W White (painted)	A Auxiliary ²
	CCD Comfort Clear Diffuse	P Polished (matches aperture)	

1. Only available in 70W lamp with 120V voltage.

2. Only available with Clear reflector (CL) with White flange (W). Consult factory for other options.

Features

- Reflector Trim:** Clear anodized aluminum, 0.040" (16-ga.). Provides wide beam distribution. Provides 50° visual cut-off to lamp and lamp image; self-flange in painted white or aperture-matching polished flange. Consult factory for other finishes.
- Socket Cup:** Galvanized steel, pre-wired with socket. Snaps onto upper reflector for secure attachment without tools; assures proper lamp alignment to optics for consistent performance.
- Mounting Frame:** Galvanized stamped steel for dry or plaster ceilings.
- Retaining Springs:** Precision-tooled steel friction springs secure reflector to mounting frame for quick, tool-less installation.
- Mounting Brackets:** Galvanized steel. Adjustable through aperture. Use lathing channel (3/4" or 1 1/2"), 1/2" EMT, or optional mounting bars. See Options and Accessories for optional mounting bars.
- Ballast:** Electronic 120V or 277V. Accessible from below for inspection and/or replacement without tools.
- Junction Box:** galvanized steel. UL listed for 8 No. 12 AWG, 90°C through branch circuit conductors; allows inspection from below.
- Thermal Protector:** Meets NEC and UL requirements. Do not install insulation above nor within 3" (76mm) of any part of the luminaire.

Electrical

Electronic Ballast: 120V or 277V, 50/60 Hz., encased, high-power factor, T.H.D. <15%, thermally and transient protected, RMI / RFI complies with FCC Part 18 non-consumer equipment, shut-down circuit at end of lamp life, sound rating "A", -5°F minimum starting temperature, Type 1 outdoor rating.

Ballast	ANSI Code	Voltage	Max. Current	Input Power
70W MH	M98/M139	120/277	0.67/0.29 A	78 W
100W MH	M90/M140	120/277	0.90/0.43 A	110 W
150W MH	M102	120/277	1.40/0.61 A	167 W

Options and Accessories

- 1950** 18" Mounting Bars (set of 2)
- 1951** 27" Mounting Bars (set of 2)
- 1956** Set of 4 for use with 18" or 27" mounting bars
- 7994** Adjustable Residential Mounting Bars
- Emergency lamp:** Consult Factory.
- Slope Ceiling Adapters:** See Spec Sheet SCA.
- Chicago Plenum:** Consult Factory.

Labels

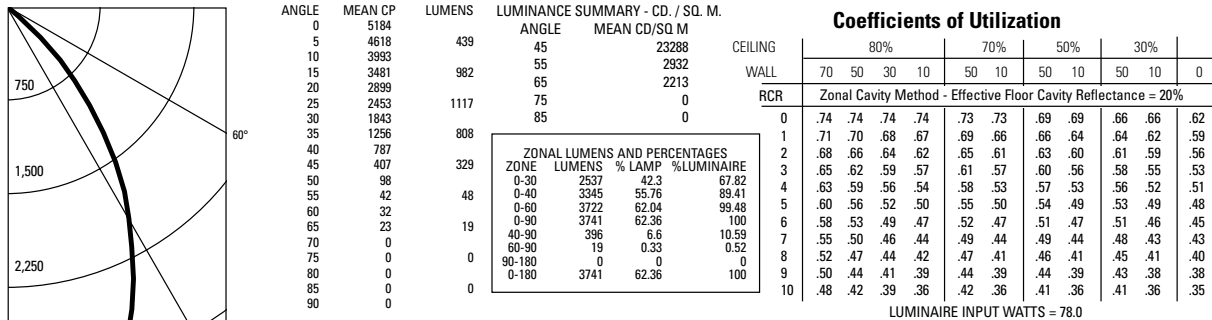
UL (Suitable for Damp Locations), CSA, I.B.E.W.

In some cases, mark spacing may apply.

- 2ft spacing - SC710MHE1, SC710MHE2, SC710MHE1A, SC770MHE1A, SC770MHE1-347, SC770MHE1-347F3, SC770MHE1-347AF3,
- 3ft spacing - SC710MHE1-347, SC710MHE1-347F3, SC710MHE1-347AF3

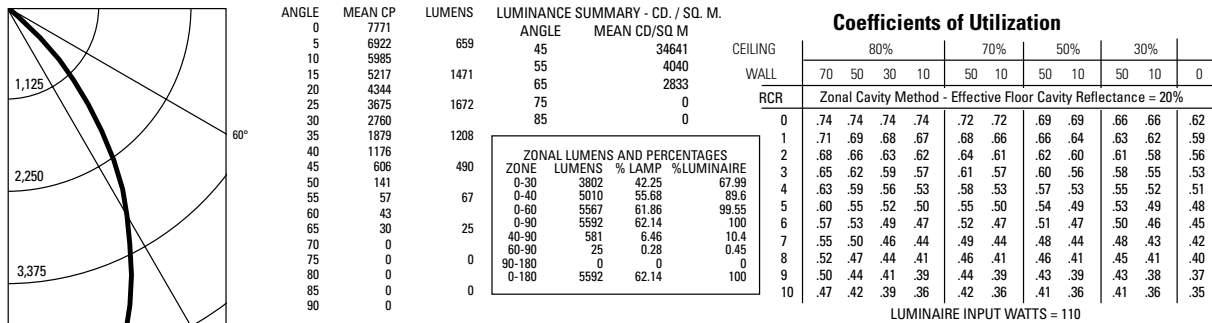
Calculite HID 7", ED17 (Enclosed), Ceramic Metal Halide, Medium Beam

70W ED17 (ENCLOSED), PHILIPS COATED MH UNSHIELDED. LUMEN RATING = 6000 LMS., AROMAT CAT, CL FINISH REFLECTOR TRIM.



** EFFICIENCY = 62.4% **
 SC = .7
 CERTIFIED TEST REPORT NO. 2518FR, DATE: MAR 6, 2004
 COMPUTED BY LSI PROGRAM **TEST-LITE**

100W ED17 (ENCLOSED), PHILIPS COATED MH UNSHIELDED. LUMEN RATING = 9000 LMS., AROMAT, CL FINISH REFLECTOR TRIM.



** EFFICIENCY = 62.1% **
 SC = .7
 CERTIFIED TEST REPORT NO. 2519FR, DATE: MAR 6, 2004
 COMPUTED BY LSI PROGRAM **TEST-LITE**



©2014 Koninklijke Philips N.V. All rights reserved.
 Philips reserves the right to make changes in specifications and/or to discontinue any product at any time without notice or obligation and will not be liable for any consequences resulting from the use of this publication.
philips.com/luminaires

C7E17VM 04/15

Philips Lighting,
 North America Corporation
 200 Franklin Square Drive,
 Somerset, NJ 08873
 Tel. 855-486-2216

Imported by: Philips Lighting,
 A division of Philips Electronics Ltd.
 281 Hillmount Rd, Markham, ON,
 Canada L6C 2S3
 Tel. 800-668-9008