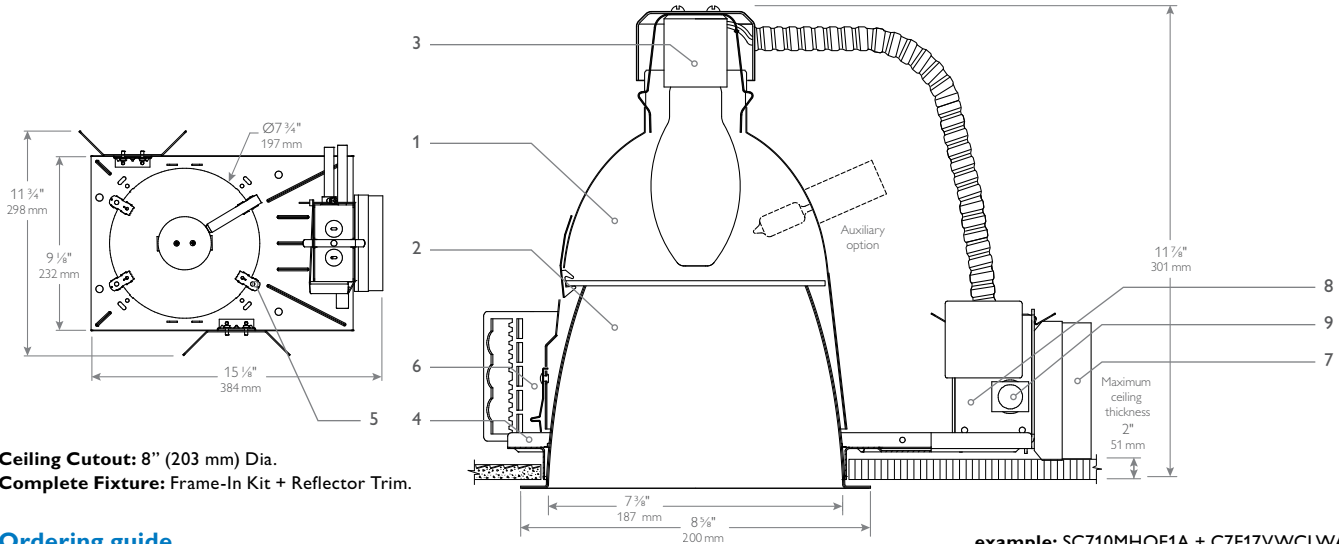


Calculite HID 7", ED17 (Open Rated), Ceramic Metal Halide, Wide Beam

Project:	Catalog No:	Mfg:
Location:	Fixture Type:	Qty:
Notes:		Lamps:



Ceiling Cutout: 8" (203 mm) Dia.
Complete Fixture: Frame-In Kit + Reflector Trim.

Ordering guide

example: SC710MH0E1A + C7E17VWCLWA

Frame-In Kit Series	Lamp (Coated, Ceramic Metal Halide)	Electronic	Fuse
SC7 Calculite 7" Steel Frame	10MH 100W, E17, ED17, BD17, (Open Rated)	E1 120V	A Auxiliary
	70MH 70W, E17, ED17, B17, (Open Rated)	U Universal	E Emergency ¹
		E2 277V	
		E1-347 347V	F3 Fuse
			AF3 Auxiliary and Fuse

Reflector Trim	Reflector	Flange	Options
C7E17VW Calculite HID Downlight	CL Clear	W White (painted)	A Auxiliary ²
	CCD Comfort Clear Diffuse	P Polished (matches aperture)	

1. Only available in 70W lamp with 120V voltage.

2. Only available with Clear reflector (CL) with White flange (W). Consult factory for other options.

Features

- Upper Reflector:** Clear anodized aluminum, 0.040" (16-ga.). Provides wide beam distribution.
- Lower Reflector:** Provides 50° visual cut-off to lamp and lamp image; self-flange in painted white or aperture-matching polished flange. Consult factory for other finishes.
- Socket Cup:** Galvanized steel, pre-wired with socket. Snaps onto upper reflector for secure attachment without tools; assures proper lamp alignment to optics for consistent performance.
- Mounting Frame:** Galvanized stamped steel for dry or plaster ceilings.
- Retaining Springs:** Precision-tooled steel friction springs secure reflector to mounting frame for quick, tool-less installation.
- Mounting Brackets:** Galvanized steel. Adjustable through aperture. Use lathing channel (3/4" or 1 1/2"), 1/2" EMT, or optional mounting bars. See Options and Accessories for optional mounting bars.

- Ballast:** Electronic 120V or 277V. Accessible from below for inspection and/or replacement without tools.
- Junction Box:** galvanized steel. UL listed for 8 No. 12 AWG, 90°C through branch circuit conductors; allows inspection from below.
- Thermal Protector:** (Not Shown) Meets NEC and UL requirements. Do not install insulation above nor within 3" (76mm) of any part of the luminaire.

Electrical

Electronic Ballast: 120V or 277V, 50/60 Hz., enclosed, high power factor, T.H.D. <15%, thermally and transient protected, RMI/RFI complies with FCC Part 18 non-consumer limits, shut-down circuit at end of lamp life, sound rating "A", -5°F minimum starting temperature. Type 1 Outdoor rating.

Ballast	ANSI Code	Voltage	Max. Current	Input Power
70W MH	M98/M139	120/277	0.67/0.29 A	78W
100W MH	M90/M140	120/277	0.90/0.43 A	110W
150W MH	M102	120/277	1.40/0.61 A	167W

Options and Accessories

- 1950 18" Mounting Bars (set of 2)
- 1951 27" Mounting Bars (set of 2)
- 1956 Set of 4 for use with 18" or 27" mounting bars
- 7994 Adjustable Residential Mounting Bars
- Emergency lamp:** Consult Factory.
- Slope Ceiling Adapters:** See Spec Sheet SCA.
- Chicago Plenum:** Consult Factory.

Labels

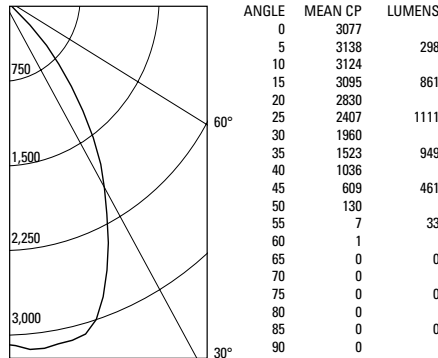
UL (Suitable for Damp Locations), CSA, I.B.E.W. In some cases, mark spacing may apply.

- 2ft spacing - SC710MHE1, SC710MHE2, SC710MHE1A, SC770MHE1A, SC770MHE1-347, SC770MHE1-347F3, SC770MHE1-347AF3,
- 3ft spacing - SC710MHE1-347, SC710MHE1-347F3, SC710MHE1-347AF3

Calculite HID 7", ED17 (Open Rated), Ceramic Metal Halide, Wide Beam

70W ED17 (ENCLOSED) PHILIPS CMH, LUMEN RATING = 6000 LMS, AROMAT ELECTRONIC BALLAST, CL FINISH REFLECTOR TRIM

CANDLEPOWER DISTRIBUTION



LUMINANCE SUMMARY CD. / SQ. M.

ANGLE	MEAN CD/SQ M
45	34796
55	475
65	0
75	0
85	0

ZONAL LUMENS AND PERCENTAGES			
ZONE	LUMENS	% LAMP	% LUMINAIRE
0-30	2269	37.83	61.13
0-40	3218	53.64	86.69
0-60	3712	61.87	99.99
0-90	3712	61.88	100
40-90	494	8.24	13.31
60-90	0	0	0.01
90-180	0	0	0
0-180	3712	61.88	100

Coefficients of Utilization

CEILING	80%				70%		50%		30%		0
	70	50	30	10	50	10	50	10	50	10	
WALL	Zonal Cavity Method - Effective Floor Cavity Reflectance = 20%										
RCR	.74	.74	.74	.74	.72	.72	.69	.69	.66	.66	.62
0	.74	.74	.74	.74	.72	.72	.69	.69	.66	.66	.62
1	.71	.69	.68	.66	.68	.65	.65	.63	.63	.61	.58
2	.67	.65	.63	.61	.64	.60	.62	.59	.60	.57	.55
3	.64	.61	.58	.56	.60	.55	.58	.55	.57	.54	.52
4	.61	.57	.54	.52	.57	.51	.55	.51	.54	.50	.49
5	.59	.54	.50	.48	.53	.48	.52	.47	.51	.47	.46
6	.56	.51	.47	.45	.50	.45	.49	.44	.48	.44	.43
7	.53	.47	.44	.42	.47	.41	.46	.41	.45	.41	.40
8	.50	.44	.41	.38	.44	.38	.43	.38	.43	.38	.37
9	.47	.42	.38	.35	.41	.35	.41	.35	.40	.35	.34
10	.45	.39	.35	.33	.39	.33	.38	.33	.38	.33	.32

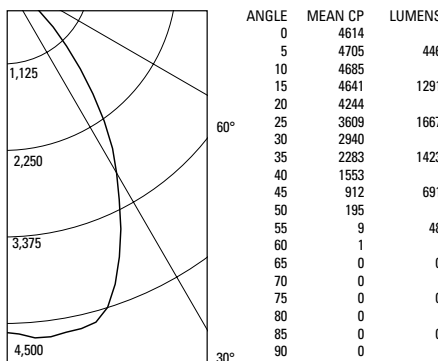
LUMINAIRE INPUT WATTS = 78.0

** EFFICIENCY = 61.9% **
SC = 1.0

CERTIFIED TEST REPORT NO. 2412FR, DATE: JAN 12, 2004
COMPUTED BY LSI PROGRAM **TEST-LITE**

100W ED17 (ENCLOSED) PHILIPS CMH, LUMEN RATING = 9000 LMS, AROMAT ELECTRONIC BALLAST, CL FINISH REFLECTOR TRIM

CANDLEPOWER DISTRIBUTION



LUMINANCE SUMMARY CD. / SQ. M.

ANGLE	MEAN CD/SQ M
45	52135
55	639
65	0
75	0
85	0

ZONAL LUMENS AND PERCENTAGES			
ZONE	LUMENS	% LAMP	% LUMINAIRE
0-30	3403	37.82	61.15
0-40	4826	53.62	86.71
0-60	5565	61.84	100
0-90	5565	61.84	100
40-90	739	8.22	13.29
60-90	0	0	0
90-180	0	0	0
0-180	5565	61.84	100

Coefficients of Utilization

CEILING	80%				70%		50%		30%		0
	70	50	30	10	50	10	50	10	50	10	
WALL	Zonal Cavity Method - Effective Floor Cavity Reflectance = 20%										
RCR	.74	.74	.74	.74	.72	.72	.69	.69	.66	.66	.62
0	.74	.74	.74	.74	.72	.72	.69	.69	.66	.66	.62
1	.70	.69	.67	.66	.68	.65	.65	.63	.63	.61	.58
2	.67	.65	.63	.61	.64	.60	.62	.59	.60	.57	.55
3	.64	.61	.58	.56	.60	.55	.58	.54	.57	.54	.52
4	.61	.57	.54	.52	.57	.51	.55	.51	.54	.50	.49
5	.58	.54	.50	.48	.53	.48	.52	.47	.51	.47	.46
6	.56	.51	.47	.45	.50	.45	.49	.44	.48	.44	.43
7	.53	.47	.44	.42	.47	.41	.46	.41	.45	.41	.40
8	.50	.44	.41	.38	.44	.38	.43	.38	.43	.38	.37
9	.47	.42	.38	.35	.41	.35	.41	.35	.40	.35	.34
10	.45	.39	.35	.33	.39	.33	.38	.33	.38	.33	.32

LUMINAIRE INPUT WATTS = 110.0

** EFFICIENCY = 61.8% **
SC = 1.0

CERTIFIED TEST REPORT NO. 2509FR, DATE: MAR 3, 2004
COMPUTED BY LSI PROGRAM **TEST-LITE**



©2014 Koninklijke Philips N.V. All rights reserved.
Philips reserves the right to make changes in specifications and/or to discontinue any product at any time without notice or obligation and will not be liable for any consequences resulting from the use of this publication.
philips.com/luminaires

C7E17VW 04/15

Philips Lighting,
North America Corporation
200 Franklin Square Drive,
Somerset, NJ 08873
Tel. 855-486-2216

Imported by: Philips Lighting,
A division of Philips Electronics Ltd.
281 Hillmount Rd, Markham, ON,
Canada L6C 2S3
Tel. 800-668-9008