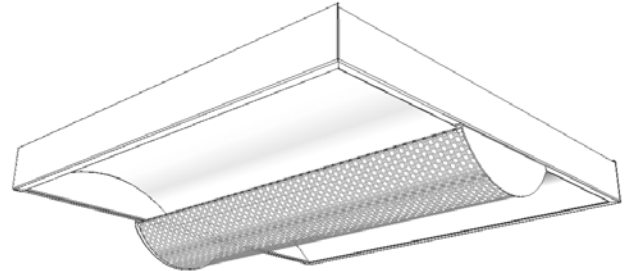
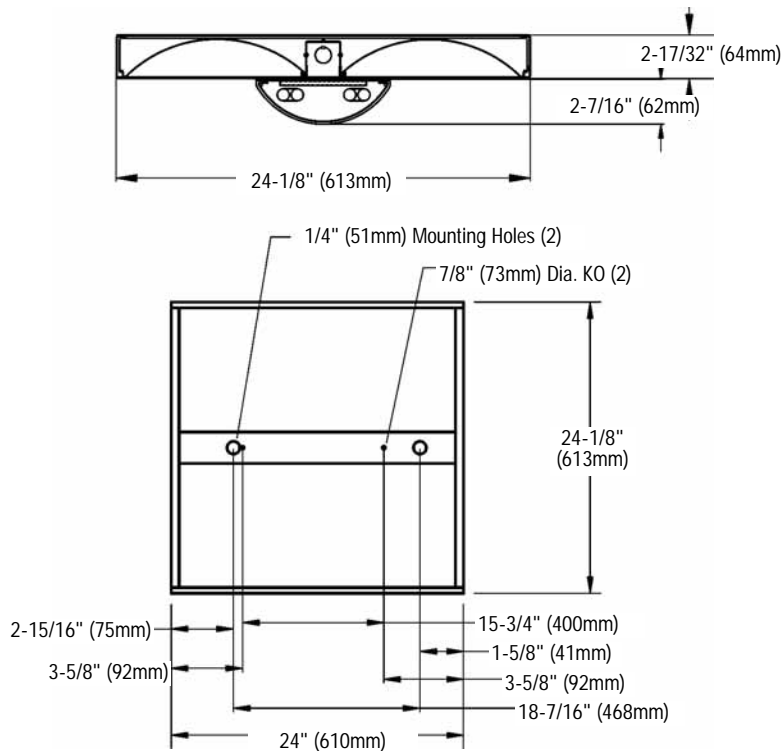


Features

- Direct/indirect lamp shield appearance with soft contoured interior.
- Perforated mesh lamp shield with white acrylic overlay.
- 55.0% efficient (2 lamp TT5).
- Lamp shield hinges from either side.
- Optional DALI ballast iGEN TECHNOLOGY accepts digital dimming controllers, scene controllers and automatic control devices.
- Meets NYC Code requirements.
- Not for continuous row mounting.



Dimensions



Job Information

Type:

Job Name:

Cat. No.:

Lamp(s):

Volts/Ballast:

For Factory Technical Information: (978) 657-7600 • Fax (978) 658-0595
631 Airport Road, Fall River, MA 02720 • (508) 679-8131 • Fax (508) 674-4710
We reserve the right to change details of design, materials and finish.
www.lightolier.com © 2008 a Philips Group

11/08

Section 5/Folio M15-98

Model No. CDB2SPF2FTUNVPR

LER = FP - 45.0 IW - 69.3 BF - 0.90
 Comparative yearly lighting energy cost per 1000 lumens = \$5.34

Report Number: G2007138A
 Catalog Number: CDB2SPF2FTUNVPR
 Lamps: (2) F40 T5
 Luminaire: Coffaire Drop Basket
 Ballast: C240PUNVHP-B
 Report is based on 3150 Lumens per lamp.
 Efficiency: 55.0%
 CIE Type-Direct-Indirect
 Plane: 0-Deg 90-Deg
 Spacing Criteria: 1.2 1.3
 Shielding Angles: 90 90
 Plane: 0-Deg 90-Deg
 Luminous Length: 23.040 23.040

CANDELA DISTRIBUTION

	0.0	45.0	90.0	FLUX
0	1088	1088	1088	
5	1078	1081	1084	103
15	1020	1038	1053	293
25	921	960	999	443
35	788	857	926	537
45	625	739	837	568
55	446	612	735	538
65	273	486	621	462
75	141	359	474	350
85	32	172	252	173
90	4	58	111	

COEFFICIENTS OF UTILIZATION – ZONAL CAVITY METHOD. EFFECTIVE FLOOR CAVITY REFLECTANCE 0.20

RC	80	50	30	10
RW	70	50	30	10
1	59	56	53	48
2	53	48	44	45
3	48	42	37	39
4	44	37	32	35
5	40	33	28	31
6	37	29	24	28
7	34	27	22	25
8	32	24	19	23
9	30	22	18	21
10	28	21	16	20

ZONAL LUMEN SUMMARY

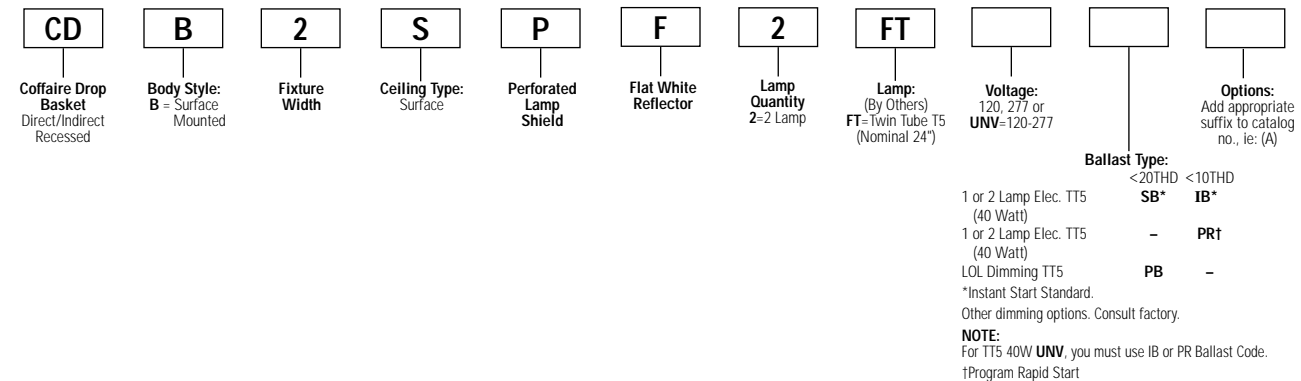
ZONE	LUMENS	% LAMP	% FIXT
0- 30	839	13.3	24.2
0- 40	1376	21.8	39.7
0- 60	2482	39.4	71.6
0- 90	3468	55.0	100.0
90-180	0	0.0	0.0
0-180	3468	55.0	100.0

LUMINANCE DATA IN CANDELA/SQ. METER

AVERAGE IN DEG.	AVERAGE 0-DEG.	AVERAGE 45-DEG.	AVERAGE 90-DEG.
45	2623.	2750.	3114.
55	1963.	2694.	3235.
65	1527.	2719.	3474.
75	1129.	2875.	3796.
85	476.	2560.	3751.

Ordering Information

Explanation of Catalog Number. Example: CDB2SPF2FTUNVPR



Options/Accessories

Fusing: Internal fast blow fusing: SUFFIX: **A**.
 Internal slow blow fusing: SUFFIX: **C**.

Electrical Wiring Options: Emergency Packs are only available for remote mounting. Consult factory.

For motion or light sensor: See Folio OA20-10.

Specifications

Performance: In an installation of 2 lamp 40W luminaire in a room cavity ratio of 1, with reflectance 80% ceiling, 50% wall, 20% floor, the C.U. shall not be less than .56. To reduce glare the average brightness at 65° shall not exceed 3473 candelas per square meter. To control veiling reflections, luminaire output in the 30°-90° zone shall not be less than 75.8%.

Materials: Chassis parts are die-formed code gauge steel.

Lamp Shield: 22 gauge steel perforated mesh lamp shield with white acrylic overlay.

Finish: Chassis exterior – Soft white post painted polyester powder. **Cavity** – Soft white post painted polyester powder. Rust preventative undercoating. **Reflector** – Soft white post painted polyester powder. **Electrical:** Thermally protected class "P" ballast C.B.M. approved, non PCB. If K.O. is within 3" of ballast, use wire suitable for at least 90°.

Labels: I.B.E.W./UL and ULc Listed.

This product may have a mercury containing lamp. Manage in accord with Disposal Laws. See: www.lamprecycle.org

Job Information **Type:**

For Factory Technical Information: (978) 657-7600 • Fax (978) 658-0595
 631 Airport Road, Fall River, MA 02720 • (508) 679-8131 • Fax (508) 674-4710
 We reserve the right to change details of design, materials and finish.
 www.lightolier.com © 2008 a Philips Group **Section 5/Folio M15-98**