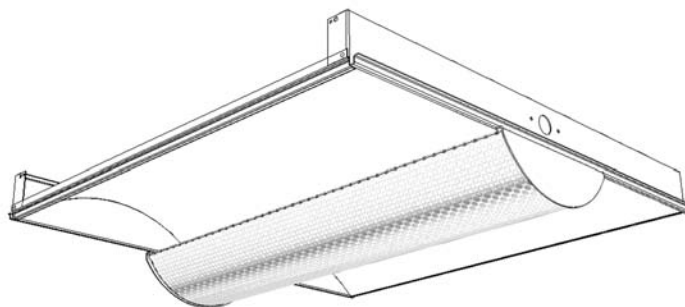


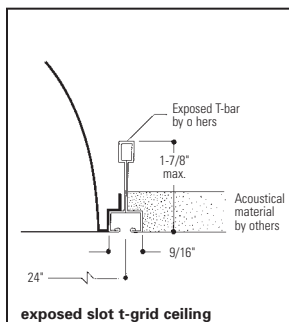
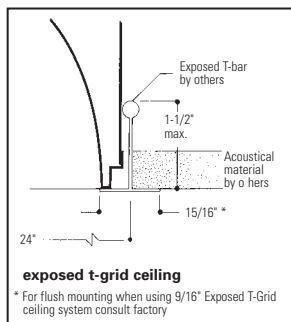
# Coffaire Drop Basket Recessed Fluorescent **CDS2GPF214 or 224**

## Features

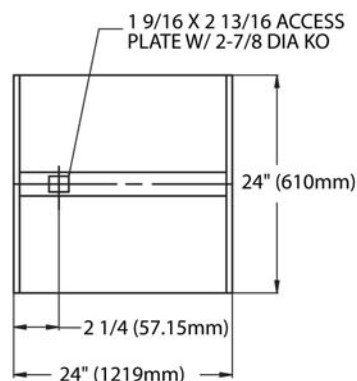
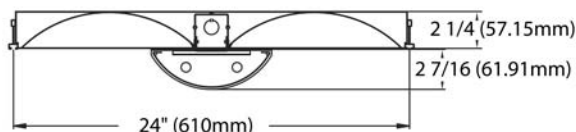
- Direct/indirect lamp shield appearance with soft contoured interior.
- Perforated mesh lamp shield with white acrylic overlay.
- 62.9% efficient (2 lamp T5).
- 62.6% efficient (2 lamp T5HO).
- Only 2-1/4" plenum depth.
- Same fixture fits both G and T ceiling types.
- Fits flush to face of slot grid (T) ceiling.
- Lamp shield hinges from either side.
- Wiring access plate standard.
- Optional DALI ballast iGEN TECHNOLOGY accepts digital dimming controllers, scene controllers and automatic control devices.
- Construction to meet Chicago Plenum available.
- Meets NYC Code requirements.
- Not for continuous row mounting.



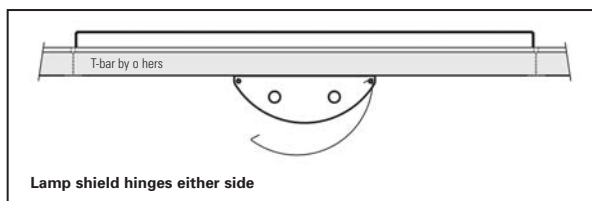
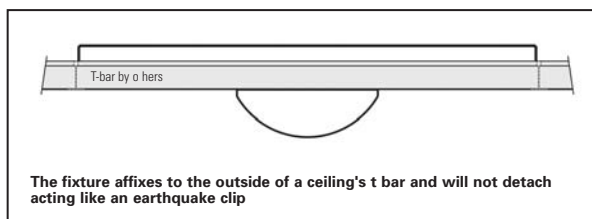
## Mounting Methods



## Dimensions



## Features



Job Information	Type:
<b>Job Name:</b>	
<b>Cat. No.:</b>	
<b>Lamp(s):</b>	
<b>Volts/Ballast:</b>	

Lightolier a Genlyte company www.lightolier.com  
 Technical Information: (978) 657-7600 • Fax (978) 658-0595  
 631 Airport Road, Fall River, MA 02720 • (508) 679-8131 • Fax (508) 674-4710  
 We reserve the right to change details of design, materials and finish.  
 © 2007 a Genlyte company **Section 5/Folio M15-86**

# Coffaire Drop Basket Recessed Fluorescent **CDS2GPF214 or 224**

## Model No. CDS2GPF214UNVPG

LER = FP - 54.2 IW - 33.2 BF - 1.06  
Comparative yearly lighting ene gy cost per  
1000 lumens = \$4.43

Report Number: G2007134  
Catalog Number: CDS2GPF214UNVPG  
Lamps: (2) F14T5  
Luminaire: Coffaire Drop Basket  
Ballast: INC-2S28  
Report is based on 1350 Lumens per lamp.  
Efficiency: 62.9%  
CIE Type-Direct-Indirect  
Plane: 0-Deg 90-Deg  
Spacing Criteria: 1.2 1.3  
Shielding Angles: 90 90  
Plane: 0-Deg 90-Deg  
Luminous Length: 23.040 23.040

### CANDELA DISTRIBUTION

	0.0	45.0	90.0	FLUX
0	523	523	523	
5	520	520	521	49
15	494	500	507	141
25	447	464	483	214
35	383	416	448	260
45	306	359	405	276
55	220	298	359	263
65	136	239	305	228
75	71	178	241	176
85	18	91	134	90
90	2	32	62	

### COEFFICIENTS OF UTILIZATION – ZONAL CAVITY METHOD, EFFECTIVE FLOOR CAVITY REFLECTANCE 0.20

RC	80	50	30	10	50	30	10
1	67	63	60	59	57	55	53
2	60	55	50	51	47	44	43
3	55	47	42	44	40	36	33
4	50	42	36	39	34	31	30
5	46	37	31	35	30	26	24
6	42	33	27	32	27	23	21
7	39	30	24	29	24	20	18
8	36	28	22	26	21	18	16
9	34	25	20	24	19	16	15
10	32	23	18	22	18	15	15

### LUMINANCE DATA IN CANDELA/SQ. METER

AVERAGE IN DEG.	AVERAGE 0-DEG.	AVERAGE 45-DEG.	AVERAGE 90-DEG.
45	1139.	1336.	1507.
55	968.	1312.	1580.
65	761.	1337.	1706.
75	569.	1426.	1930.
85	268.	1354.	1994.

### ZONAL LUMEN SUMMARY

ZONE	LUMENS	% LAMP	% FIXT
0- 30	405	15.0	23.9
0- 40	666	24.7	39.2
0- 60	1205	44.6	70.9
0- 90	1698	62.9	100.0
90-180	0	0.0	0.0
0-180	1698	62.9	100.0

## Model No. CDS2GPF224UNVPG

LER = FP - 48.5 IW - 51.7 BF - 1.0  
Comparative yearly lighting ene gy cost per  
1000 lumens = \$4.95

Report Number: G2007135  
Catalog Number: CDS2GPF224UNVPG  
Lamps: (2) F24T5  
Luminaire: Coffaire Drop Basket  
Ballast: B224PUNV-C  
Report is based on 2000 Lumens per lamp.  
Efficiency: 62.6%  
CIE Type-Direct-Indirect  
Plane: 0-Deg 90-Deg  
Spacing Criteria: 1.2 1.3  
Shielding Angles: 90 90  
Plane: 0-Deg 90-Deg  
Luminous Length: 23.040 23.040

### CANDELA DISTRIBUTION

	0.0	45.0	90.0	FLUX
0	777	777	777	
5	773	773	775	74
15	733	743	754	210
25	663	689	717	318
35	567	616	666	386
45	453	532	602	409
55	324	441	532	389
65	200	352	450	336
75	104	260	352	256
85	24	131	191	128
90	3	45	89	

### COEFFICIENTS OF UTILIZATION – ZONAL CAVITY METHOD, EFFECTIVE FLOOR CAVITY REFLECTANCE 0.20

RC	80	50	30	10	50	30	10
1	67	63	60	59	57	55	53
2	60	54	50	51	47	44	43
3	55	47	42	44	40	36	33
4	50	42	36	39	34	31	30
5	46	37	31	35	30	26	24
6	42	33	28	32	27	23	21
7	39	30	24	29	24	20	18
8	36	28	22	26	21	18	16
9	34	25	20	24	19	16	15
10	32	23	18	22	18	15	15

### ZONAL LUMEN SUMMARY

ZONE	LUMENS	% LAMP	% FIXT
0- 30	602	15.0	24.0
0- 40	988	24.7	39.4
0- 60	1785	44.6	71.3
0- 90	2505	62.6	100.0
90-180	0	0.0	0.0
0-180	2505	62.6	100.0

### LUMINANCE DATA IN CANDELA/SQ. METER

AVERAGE IN DEG.	AVERAGE 0-DEG.	AVERAGE 45-DEG.	AVERAGE 90-DEG.
45	1686.	1980.	2240.
55	1426.	1941.	2342.
65	1119.	1969.	2517.
75	833.	2082.	2819.
85	357.	1950.	2843.

## Ordering Information

Explanation of Catalog Number. Example: CDS2GPF214UNVPG

<b>CD</b> Coffaire Drop Basket Direct/Indirect Recessed	<b>S</b> Body Style: S = Static	<b>2</b> Fixture Width	<b>G</b> Ceiling Type: Fits both Standard Grid and Slot Grid	<b>P</b> Perforated Lamp Shield	<b>F</b> Flat White Reflector	<b>Lamp Quantity</b> 2=2 Lamp	<b>Lamp:</b> (By Others) 14=T5 14W 24=T5HO 24W (Nominal 24")	<b>Voltage:</b> 120, 277 or UNV=120-277	<b>Options:</b> Add appropriate suffix to catalog no., ie: (GLR)
<b>CD</b> Standard Coffaire Drop Basket								<b>Ballast Type:</b> <20THD <10THD PG ††	
<b>YD</b> For NYC Code – Local 3 Manufactured								2 Lamp Elec. T5 (14 Watt) 2 Lamp Elec. T5HO (24 Watt) ††Prog am Rapid Start (UNV only)	PG ††

## Options/Accessories

**Fusing:** Internal fast blow fusing: SUFFIX: **GLR**.  
Internal slow blow fusing: SUFFIX: **GMF**.  
**Drywall Kit:** Order Catalog Number: **FK92X2**.  
**Electrical Wiring Options:** Consult factory.  
**For motion or light sensor:** See Folio OA20-10.

## Specifications

**Performance:** In an installation of 2 lamp 14W luminaires in a room cavity ratio of 1, with reflectance 80% ceiling, 50% wall, 20% floor, the C.U. shall not be less than .63. To reduce glare the average brightness at 65° shall not exceed 1706 candelas per square meter. To control veiling reflections, luminaire output in the 30°-90° zone shall not be less than 76.1%.  
**Materials:** Chassis parts are die-formed code gauge steel.  
**Lamp Shield:** 22 gauge steel perforated mesh lamp shield with white acrylic overlay.

## Specifications (continued)

**Finish:** Chassis exterior – baked white polyester enamel. **Cavity** – baked white polyester enamel. **Reflector** – baked white polyester enamel, minimum 86% reflectance. Rust preventative undercoating. **Lamp Shield** – baked white polyester enamel.  
**Electrical:** Thermally protected class "P" ballast C.B.M. approved, non PCB. If K.O. is within 3" of ballast, use wire suitable for at least 90°.  
**Labels:** I.B.E.W./UL and ULc Listed.  
This product may have a mercury containing lamp. Manage in accord with Disposal Laws. See: www.lamprecycle.org

## Job Information Type:

**Lightolier** a Genlyte company www.lightolier.com  
Technical Information: (978) 657-7600 • Fax (978) 658-0595  
631 Airport Road, Fall River, MA 02720 • (508) 679-8131 • Fax (508) 674-4710  
We reserve the right to change details of design, materials and finish.  
© 2007 a Genlyte company Section 5/Folio M15-86

LIGHTOLIER®