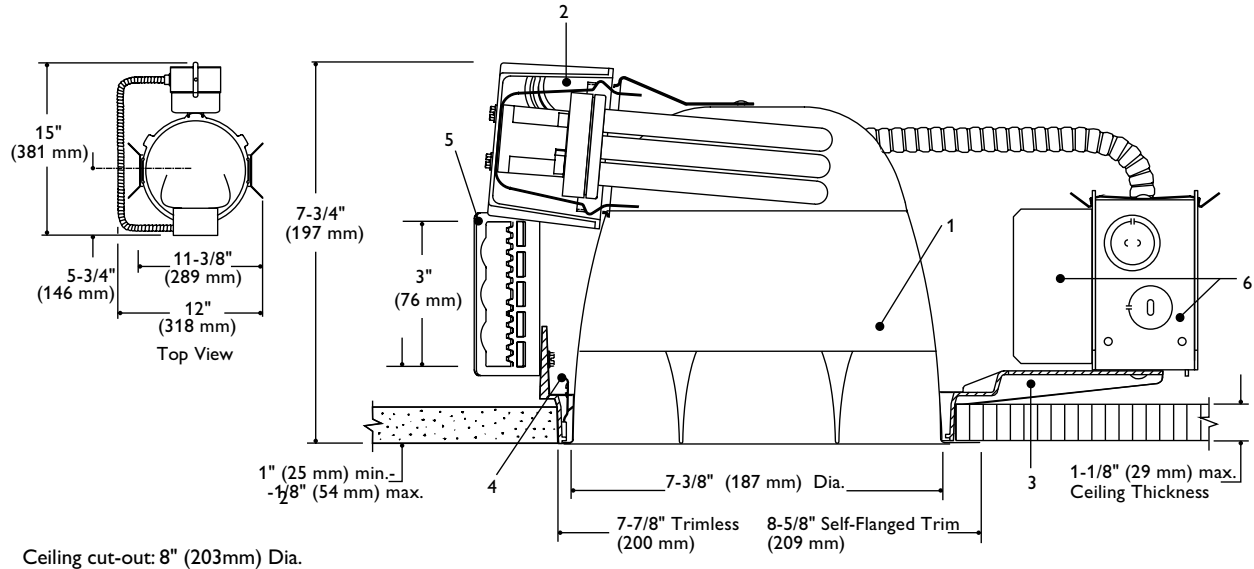


Calculite® Compact Fluorescent Open Downlight 8037TB

7 3/8" Aperture Triple Tube Turbo Louver



Reflector Trims		Frame-in Kit	
8037TBW	Clear Iridescence Free, White Flange	S7118BU	Electronic 120V-277V 1-18W Triple Tube 4-Pin (Amalgam)
8037TB	Clear Iridescence Free, Flangeless	S7118B-347	Electronic 347V
		S7142BU	Electronic 120V-277V 1-26/32/42W Triple Tube 4-Pin (Amalgam)
		S7142B-347	Electronic 347V
Remodeler Kit (use Flangeless Trim only)			
		7R118HUWH	Electronic 120V-277V 1-18W Triple Tube 4-Pin (Amalgam)
		7R118HWH-347	Electronic 347V
		7R142BUWH	Electronic 120V-277V 1-26/32/42W Triple Tube 4-Pin (Amalgam)
		7R142BWH-347	Electronic 347V

Job Information	Type:
Job Name:	
Cat. No.:	
Notes:	

Calculite® Compact Fluorescent Open Downlight **8037TB**

7 3/8" Aperture Triple Tube Turbo Louver

Page 2 of 3

Features

- 1. Reflector:** 16 ga. Specular Alzak® aluminum. Iridescence Free™ finish. Self-flanged trim.
- 2. Socket Cup:** Snaps onto reflector neck to assure consistently correct optical alignment without tools.
- 3. Mounting Frame:** Galvanized steel for dry or plaster ceilings.
- 4. Retaining Springs:** Precision-tooled steel friction springs secure reflector to mounting frame for quick, tool-less installation.
- 5. Mounting Brackets:** 16 ga. steel. Adjust from inside of fixture. Use 3/4" or 1 1/2" lathing channel, 1/2" EMT, or optional mounting bars.
- 6. Ballast/J-Box:** Outboard mounted to reduce heat transfer and maintain lamp efficacy and life. Service from below without tools.
- 7. Turbo Louver:** Radial assembly; Specular Alzak® aluminum, removable and keyed for orientation. 50° visual cutoff, medium beam.

Electrical

Note: For ballast electrical data and latest lamp/ballast compatibility refer to "**Ballast**" specification sheet for complete electrical data.

cULus Listed for through branch circuit wiring with max of (8) No 12 AWG, 90 degree C supply conductors.

Options & Accessories

18" Mounting Bars	1950 (set of 2)
27" Mounting Bars	1951 (set of 2)
T-Bar Anchor Clips	1956 (set of 4 for 1950 & 1951 bars) 7998 (set of 2)
Emergency (integral)	Add suffix EM see specification sheet FAEM13E
Emergency (kit)	FAEM13E see specification sheet FAEM13E
Fuse (Slow Blow)	Add suffix F
Slope Ceiling Adapters	7926 see specification sheet SCA
Dimming	see specification sheet BALLAST

Labels

cULus Listed suitable (for damp locations), I.B.E.W.UL listed for damp locations, I.B.E.W.

Alzak® is a registered trademark of ALCOA.

Job Information

Type:

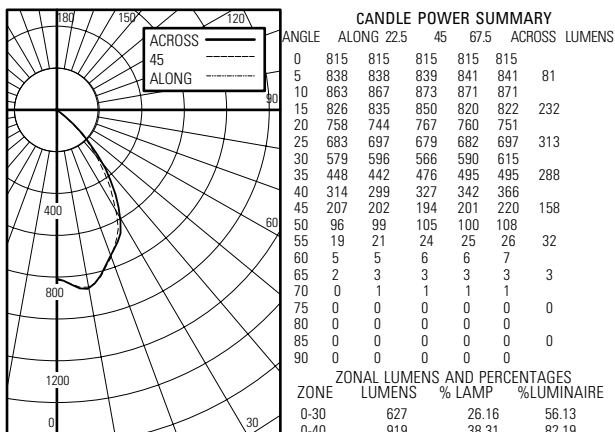
PHILIPS
LIGHTOLIER®

Calculite® Compact Fluorescent Open Downlight 8037TB

7 3/8" Aperture Triple Tube Turbo Louver

Spacing = 1.2

CERTIFIED TEST REPORT NO. LSC6711
 LIGHTLIET RECESSED COMPACT FLUORESCENT FIXTURE WITH SPECULAR REFLECTOR AND SPECULAR TURBO BAFFLE. ONE 32W PL-T COMPACT FLUORESCENT LAMP. LUMEN RATING = 2400 LMS.



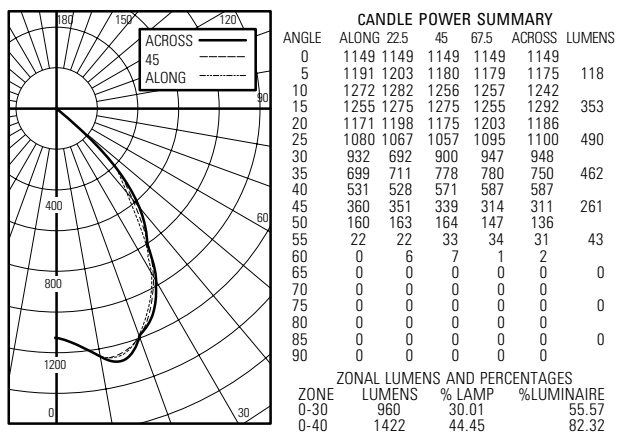
**** EFFICIENCY = 46.6% ****

DATE: NOV 10, 2005
 PREPARED FOR:
 LIGHTOLIER

TESTED ACCORDING TO IES PROCEDURES. TEST DISTANCE EXCEEDS FIVE TIMES THE GREATEST LUMINOUS OPENING OF LUMINAIRE.

Spacing = 1.2

CERTIFIED TEST REPORT NO. LSC6710
 LIGHTLIET RECESSED COMPACT FLUORESCENT FIXTURE WITH SPECULAR REFLECTOR AND SPECULAR TURBO BAFFLE. ONE 42W PL-T COMPACT FLUORESCENT LAMP. LUMEN RATING = 3200 LMS.



**** EFFICIENCY = 54.0% ****

DATE: SEPT 12, 1996
 PREPARED FOR:
 LIGHTOLIER, Lachine, Quebec

TESTED ACCORDING TO IES PROCEDURES. TEST DISTANCE EXCEEDS FIVE TIMES THE GREATEST LUMINOUS OPENING OF LUMINAIRE.

Coefficients Of Utilization

ROOM CAVITY RATIO	% EFFECTIVE CEILING CAVITY REFLECTANCE															
	80			70			50			30			10	0		
	50	30	10	% WALL REFLECTANCE			50	30	10	50	30	10	50	30	10	0
1	.51	.49	.48	.50	.49	.48	.48	.43	.42	.41	.42	.41	.40	.40	.39	.39
3	.43	.41	.38	.42	.40	.38	.41	.39	.38	.40	.38	.37	.39	.38	.36	.36
4	.40	.37	.35	.39	.37	.35	.38	.36	.34	.37	.35	.34	.36	.35	.33	.33
5	.37	.34	.32	.36	.34	.31	.35	.33	.31	.35	.33	.31	.34	.32	.31	.30
6	.34	.31	.29	.34	.31	.29	.33	.30	.29	.32	.30	.28	.32	.30	.28	.27
7	.32	.29	.26	.31	.28	.26	.31	.28	.26	.30	.28	.26	.30	.28	.26	.25
8	.30	.26	.24	.29	.26	.24	.29	.26	.24	.28	.26	.24	.28	.26	.24	.23
9	.28	.25	.23	.27	.24	.22	.27	.24	.22	.26	.24	.22	.26	.24	.22	.22
10	.26	.23	.21	.26	.23	.21	.25	.23	.21	.25	.22	.21	.24	.22	.21	.20

20% FLOOR CAVITY REFLECTANCE
 For 26W PL-T lamp, multiply CU's x 1.0.

Coefficients Of Utilization

ROOM CAVITY RATIO	EFFECTIVE CEILING CAVITY REFLECTANCE															
	80			70			50			30			10	0		
	50	30	10	WALL REFLECTANCE			50	30	10	50	30	10	50	30	10	0
1	.60	.59	.57	.59	.58	.56	.57	.56	.55	.55	.54	.53	.53	.52	.52	.51
2	.56	.54	.52	.55	.53	.52	.53	.52	.50	.52	.51	.49	.50	.49	.48	.48
3	.52	.50	.48	.52	.49	.47	.50	.48	.47	.49	.47	.46	.48	.46	.45	.44
4	.49	.46	.44	.48	.46	.44	.47	.45	.43	.46	.44	.43	.45	.44	.42	.41
5	.46	.43	.40	.45	.42	.40	.44	.42	.40	.43	.41	.39	.43	.41	.39	.38
6	.43	.40	.37	.42	.39	.37	.42	.39	.37	.41	.38	.37	.40	.38	.36	.36
7	.40	.37	.34	.39	.36	.34	.39	.36	.34	.38	.36	.34	.37	.35	.34	.33
8	.37	.34	.32	.37	.34	.31	.36	.33	.31	.36	.33	.31	.35	.33	.31	.30
9	.34	.31	.29	.34	.31	.29	.34	.31	.29	.33	.30	.28	.33	.30	.28	.28
10	.32	.29	.26	.32	.29	.26	.31	.28	.26	.31	.28	.26	.30	.28	.26	.25

20% FLOOR CAVITY REFLECTANCE



Canlyte
 3015 Louis-Amos, Lachine, Québec H8T 1C4
 e: canlyte-info@philips.com
 t: (514) 636-0670
 w: www.canlyte.com
 8037TB November 28, 2012.
 Specifications are subject to change without notice.
 © Koninklijke Philips Electronics N.V., 2011. All rights reserved.

Job Information **Type:**

