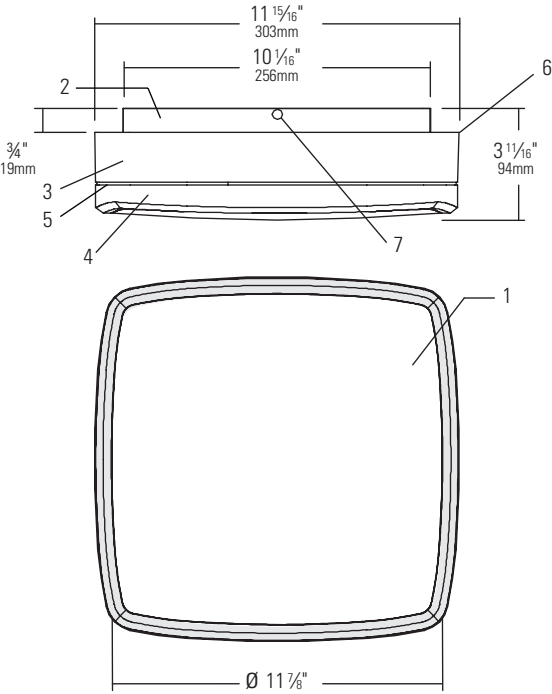


CSR12AL

Architectural Decorative, Optimo 12" Curved Square Reveal



Fixture Ordering Information

Diffuser Catalog Number	Backplate	Volts	Wattage	Lamping
CSR12AL	S122U	120-277V	22W	(1) T5 Circular
	S01L12	120	20W	(4) 3500K White LED Boards

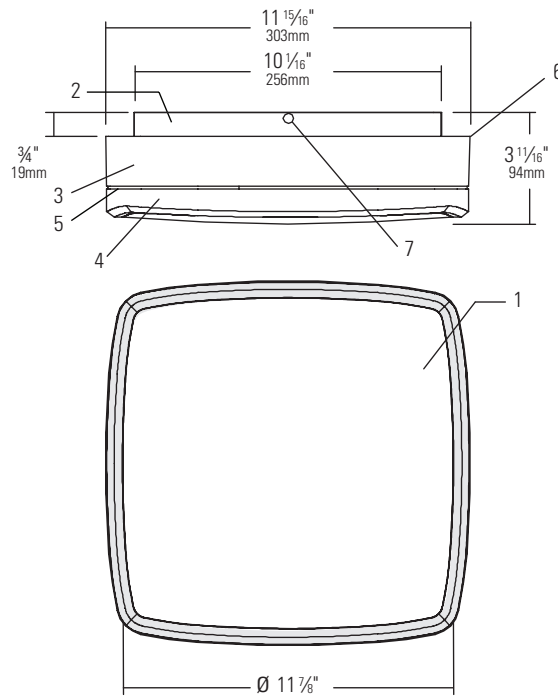
Job Information	Type:
Job Name:	
Cat. No.:	
Notes:	

PHILIPS
LIGHTOLIER

CSR12AL

Architectural Decorative, Optimo 12" Curved Square Reveal

Page 2 of 2



Features

- 1. Diffuser:** Injection molded, impact and UV resistant polycarbonate
- 2. Backplate:** Stamped 20ga.(0.036") C.R.S., gloss white powder coat finish
- 3. Upper Housing:** Die-cast aluminum
- 4. Lower Housing:** Die-cast aluminum
- 5. Spill Light:** Acrylic 0.6mm thick
- 6. Back Light:** Acrylic 2mm thick
- 7. Fastener Screw:** #8-32 Flat Philips Head

Mechanical

Diffuser elements securely fasten to backplate using set screw. Fixtures Suitable for wall or ceiling mounting applications.

Finish

Brushed and Clear Lacquered

Accessories

Color Insert Kit, SQACC12. Citrine, Garnet and Sapphire

Labels

cULus listed, suitable for damp locations. ULus listed.

* ADA compliant.



Philips Lightolier
e: lol.webmaster@philips.com
t: (508) 679-8131
w: www.lightolier.com

CSR12AL September 7, 2011

Specifications are subject to change without notice.
© Koninklijke Philips Electronics N.V., 2011. All rights reserved.

Job Information Type: