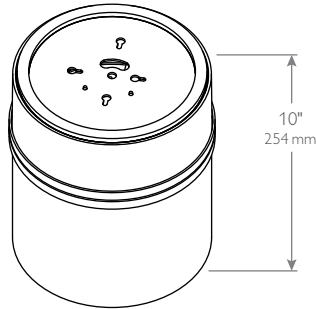


PHILIPS
LIGHTOLIER

Downlighting

Calculite LED 7"
Cylinder

Narrow, Medium & Wide beam,
1500/2000/3500/6000lm



Project: _____
 Location: _____
 Cat.No: _____
 Type: _____
 Lamps: _____ Qty: _____
 Notes: _____

Calculite LED 7" features an LED array of high brightness white light LEDs. The new LED boards in Calculite LED ensure a less than 2-step SDCM color variation between luminaires.

Complete product = Fixture kit + Mounting kit (optionl)
 Fixture comes with standard ceiling mount.

Fixture kit

example: C7L20CW35KMCCLUVB

Series	Lumens	Style	Finish	CCT	Dimming ¹	Beam ²	Model	Reflector	Input voltage	Version
<input type="checkbox"/> C7L	<input type="checkbox"/>	<input type="checkbox"/>	<input type="checkbox"/>	<input type="checkbox"/>	<input type="checkbox"/>	<input type="checkbox"/>	<input type="checkbox"/>	<input type="checkbox"/>	<input type="checkbox"/>	<input type="checkbox"/> VB
C7L Calculite 7" LED round aperture	15 1500lm 20 2000lm 35 3500lm ²	C Cylinder	B Black W White A Alum.	27K 2700K 30K 3000K 35K 3500K 40K 4000K	0-10V dimming (standard)	M Medium, 55° 0.8 s.c. W Wide, 70° 1.1 s.c.	blank Downlight WW Wall Wash	CL Clear CCL Comfort clear CCD Comfort clear diffuse	U Universal (120/277V)	VB Version B
	50 6000lm	C Cylinder	B Black W White A Alum.	27K 2700K 30K 3000K 35K 3500K 40K 4000K	Z10V 0-10V dimming LD Lutron driver	N Narrow, 20° 0.3 s.c. M Medium, 55° 0.8 s.c. W Wide, 70° 1.1 s.c.	blank Downlight WW Wall Wash	CL Clear CCL Comfort clear CCD Comfort clear diffuse	U Universal (120/277V)	VB Version B

Mounting kit

example: C4CPAX5

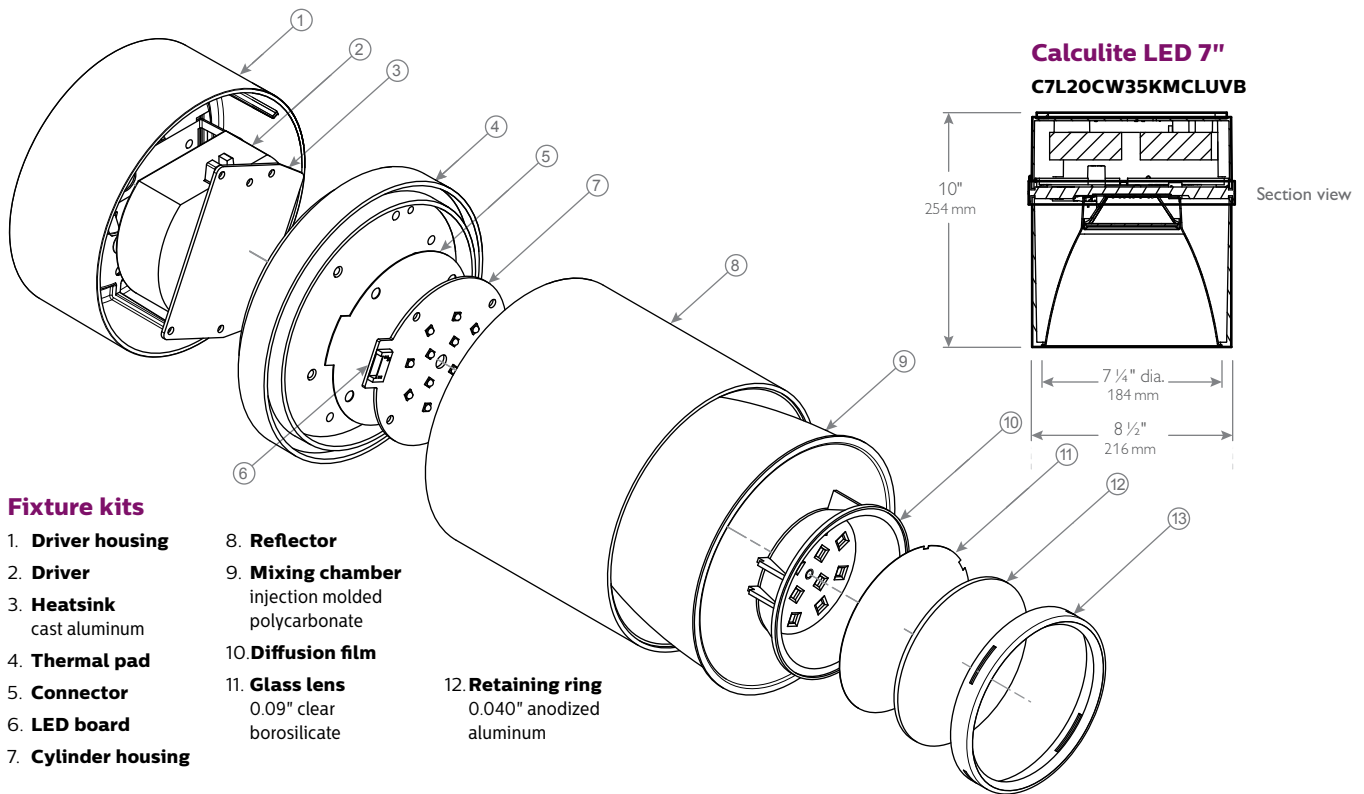
Series	Details	Finish	Dimming
<input type="checkbox"/>	<input type="checkbox"/>	<input type="checkbox"/>	<input type="checkbox"/>
C7 Mounting for Calculite 7" LED Cylinder	CW Wall mount 5" cast aluminum plate. Suitable for mounting over 3" & 4" outlet boxes.	B Black W White A Alum.	-
C4 Mounting for Calculite 4" & 7" LED Cylinders	CP Stem mount 5" round decorative plate. No visible hardware. Cord: 18/3 AWM leads, 10 amps maximum.		X5 For dimming applications
	CC Cable mount 5" round decorative plate. No visible hardware. Cord: 18/3 AWM leads, 10 amps maximum. Holds aircraft cable. Chrome adjusting hardware for leveling.		X5 For dimming applications
TM Mounting for Calculite 4" & 7" Cylinders to track	O1 Track mount Suitable for Basic, Advent, Radius track systems. Cord: 18/3 AWM leads, 10 amps maximum (aluminum).	-	-

1. Lutron dimming (**LD**) available for 6000 (**50**) lumen fixture kits only.
 2. Beam options are for downlight models only.



C7L-C-VB Calculite LED

7" Cylinder, Downlight & Wall Wash, Narrow, Medium & Wide Beam
1500/2000/3500/6000 lm



Fixture kits

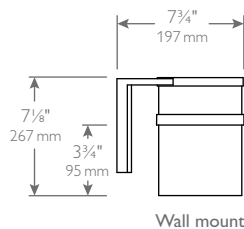
- | | |
|-------------------------------------|--|
| 1. Driver housing | 8. Reflector |
| 2. Driver | 9. Mixing chamber
injection molded polycarbonate |
| 3. Heatsink
cast aluminum | 10. Diffusion film |
| 4. Thermal pad | 11. Glass lens
0.09" clear borosilicate |
| 5. Connector | 12. Retaining ring
0.040" anodized aluminum |
| 6. LED board | |
| 7. Cylinder housing | |

Features

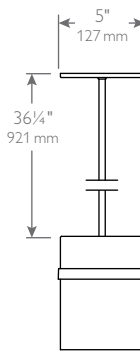
Cylinder housing: For mounting over 3" or 4" outlet box. Available in white, black, aluminum.
Reflector cone: Aluminum. Provides 50° cutoff to source and source image (self-flanged).
LED Board: Array of 18 high brightness LEDs.
Thermal management: Heat sink and thermal design along with clean room assembly ensures specified performance.
Optical mixing chamber: Lightlietier-specific mixing chamber redirects back-reflected light through aperture resulting in a 20% increase in efficiency.

Mounting

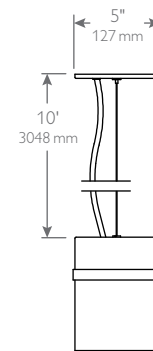
All fixture configurations include a ceiling mount. Fixture can be mounted to ceiling, wall or track.



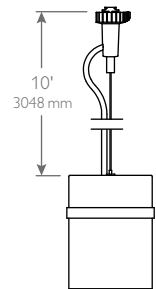
Wall mount



Stem mount



Cable mount



Track mount

Electrical

Rated life: Offers 60,000 hour rated life (3500lm offers 40,000 hour rated life) at 70% lumen maintenance (L70). Tested in accordance with IES NA LM-79-2008. Color consistency between luminaires over the duration of our standard warranty will not be greater than 3 points in u', v'.

Frame-In kit	Input volts	Input freq.	Input current	Drive current	Input power*	LED power	THD factor	Power factor
C7L15C__K__UVB 1500lm w/0-10V dimming	120V	50/60Hz	0.16A	300mA	18W	15W	<15%	>0.90
	277V	50/60Hz	0.08A	300mA	18W	15W	<20%	>0.90
C7L20C__K__UVB 2000lm w/0-10V dimming	120V	50/60Hz	0.20A	400mA	25W	20W	<15%	>0.90
	277V	50/60Hz	0.09A	400mA	25W	20W	<15%	>0.90
C7L35C__K__UVB 3500lm w/0-10V dimming	120V	50/60Hz	0.35A	700mA	41W	35W	<10%	>0.95
	277V	50/60Hz	0.16A	700mA	41W	35W	<15%	>0.90

* +/-5%

Dimming

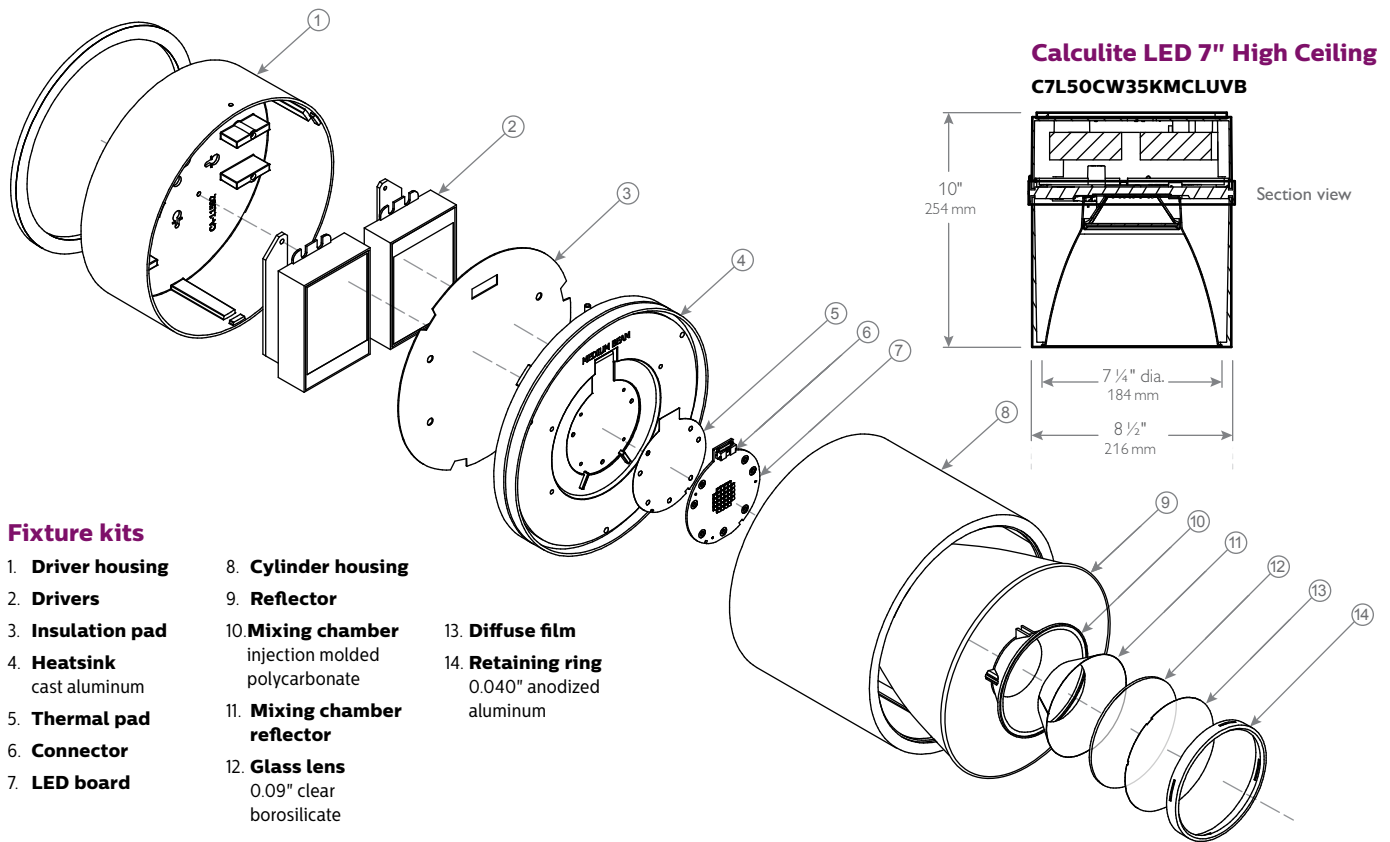
Compatible with 0-10V dimming.

Labels

cULus, I.B.E.W.
Suitable for wet locations (direct ceiling and wall mount only).
5 year warranty.

C7L-C-VB Calculite LED

7" Cylinder, Downlight & Wall Wash, Narrow, Medium & Wide Beam
1500/2000/3500/6000 lm



Fixture kits

- | | |
|-------------------------------------|---|
| 1. Driver housing | 8. Cylinder housing |
| 2. Drivers | 9. Reflector |
| 3. Insulation pad | 10. Mixing chamber
injection molded polycarbonate |
| 4. Heatsink
cast aluminum | 11. Mixing chamber reflector |
| 5. Thermal pad | 12. Glass lens
0.09" clear borosilicate |
| 6. Connector | 13. Diffuse film |
| 7. LED board | 14. Retaining ring
0.040" anodized aluminum |

Features

Cylinder housing: For mounting over 3" or 4" outlet box. Available in white, black, aluminum.

Reflector cone: Aluminum. Provides 50° cutoff to source and source image (self-flanged).

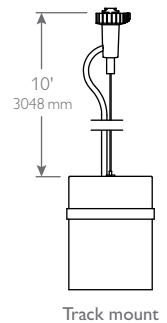
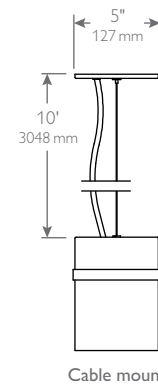
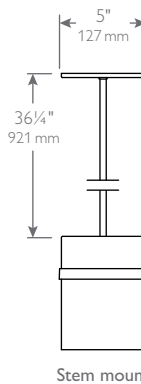
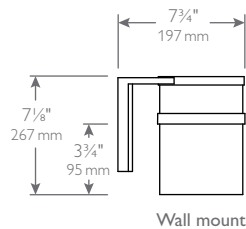
LED Board: Array of 32 high brightness LEDs.

Thermal management: Heat sink and thermal design along with clean room assembly ensures specified performance.

Optical mixing chamber: Lightolier-specific mixing chamber redirects back-reflected light through aperture resulting in a 20% increase in efficiency.

Mounting

All fixture configurations include a ceiling mount. Fixture can be mounted to ceiling, wall or track.



Electrical

Rated life: Offers 60,000 hour rated life at 70% lumen maintenance (L70). Tested in accordance with IES NA LM-79-2008. Color consistency between luminaires over the duration of our standard warranty will not be greater than 3 points in u', v'.

Frame-In kit Electrical specifications	Input volts	Input freq.	Input current	LED drive current	Input power*	LED power	THD factor	Power factor
C7L50C__K__UVB	120V	50/60Hz	0.58A	650mA	70W	57W	<20%	>0.90
6000lm w/0-10V dimming	277V	50/60Hz	0.27A	650mA	70W	57W	<20%	>0.90

* +/- 5%

Dimming

Compatible with 0-10V dimming. Lutron dimming is available for 6000lm fixture kits only.

Labels

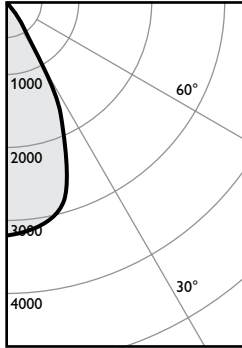
cULus, I.B.E.W.
Suitable for wet locations (direct ceiling and wall mount only).
5 year warranty.

C7L-C-VB Calculite LED

7" Cylinder, Downlight & Wall Wash, Narrow, Medium & Wide Beam
1500/2000/3500/6000 lm

31W LED, 3500K, 55° Medium 2000 lumen

Candela Curve



Fixture: C7L20CW35KMCLUVB

CCT¹: 3500K
Output lumens: 2246 lms
Input watts²: 30.7 W
Efficacy: 73.2 lm/w
CRI: 80 min
Spacing crit.: 0.8
Beam spread: 55°

Zonal summary

Zone	Lumens	%Luminaire
0-30	1913	85.2%
0-40	2204	98.1%
0-60	2245	100.0%
0-90	2246	100.0%

Angle	Mean CP	Lumens
0	3191	
5	3152	304
10	3089	
15	2925	801
20	2465	
25	1850	808
30	942	
35	443	291
40	166	
45	32	38
50	4	
55	3	2
60	2	0
65	1	1
70	1	
75	0	0
80	0	
85	0	0
90	0	

Single unit data

Height to lighted plane	Initial center beam foot-candles	Beam diameter (ft)*
5'	128	4.0'
6'	89	4.8'
7'	65	5.6'
8'	50	6.4'
9'	39	7.2'

* Beam diameter is where foot-candles drop to 50% of maximum.

Multiple unit data - RCR 2

Spacing on center	Initial center beam foot-candles	Watts per sq. ft.
5'	104.3	1.43
6'	68.5	0.94
7'	48.9	0.67
8'	40.8	0.56
9'	32.6	0.45

38'x38'x10' Room, Workplane 2.5' above floor, 80/50/20% Reflectances

Finish Adjust. factors

CL = 100%
CCL = 95%
CCD = 87%

CCT Adjust. factors

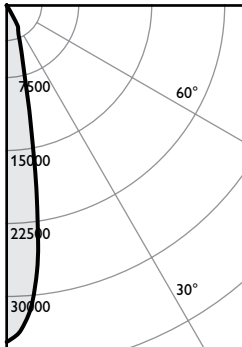
4000K = 103%
3500K = 100%
3000K = 97%
2700K = 87%

Coefficients of utilization

Ceiling	80%				70%				50%				30%				0%
	70	50	30	10	50	10	50	10	50	10	50	10	50	10	0		
RCR	Zonal cavity method - Effective floor reflectance = 20%																
Room Cavity Ratio	0	119	119	119	119	116	116	111	111	106	106	100	106	106	100		
1	114	112	109	107	109	106	105	102	102	99	99	97	93	89	95		
2	109	105	101	98	103	97	100	95	97	93	89	97	93	89	89		
3	104	99	94	91	97	90	95	88	92	87	84	92	87	84	84		
4	100	93	88	84	92	84	90	83	88	82	80	88	82	80	80		
5	95	88	83	79	87	78	85	78	84	77	75	84	77	75	75		
6	91	83	78	74	83	74	81	73	80	73	71	80	73	71	71		
7	87	79	74	70	78	70	77	69	76	69	67	76	69	67	67		
8	84	75	70	66	75	66	73	66	73	65	64	73	65	64	64		
9	80	71	66	63	71	62	70	62	69	62	61	69	62	61	61		
10	77	68	63	59	68	59	67	59	66	59	58	66	59	58	58		

69W LED, 3500K, 20° Narrow 6000 lumen

Candela Curve



Fixture: C7L50CW35KNCLUVB

CCT¹: 3500K
Output lumens: 6174 lms
Input watts²: 69.4 W
Efficacy: 89.0 lm/w
CRI: 80 min
Spacing Crit.: 0.3
Beam Spread: 20°
Report no³: 327GFR

Zonal summary

Zone	Lumens	%Luminaire
0-30	5902	95.6%
0-40	6133	99.3%
0-60	6169	99.9%
0-90	6174	100.0%

Angle	Mean CP	Lumens
0	34747	
5	30669	2475
10	16592	
15	6860	2151
20	4015	
25	2810	1276
30	1411	
35	146	231
40	100	
45	39	33
50	5	
55	2	3
60	3	
65	2	2
70	3	
75	1	2
80	0	
85	1	1
90	1	

Single unit data

Height to lighted plane	Initial center beam foot-candles	Beam diameter (ft)*
5'	1390	1.5'
6'	965	1.8'
7'	709	2.1'
8'	543	2.4'
9'	429	2.7'

* Beam diameter is where foot-candles drop to 50% of maximum.

Multiple unit data - RCR 2

Spacing on center	Initial center beam foot-candles	Watts per sq. ft.
5'	294	3.08
6'	193	2.02
7'	138	1.44
8'	115	1.20
9'	92	0.96

38'x38'x10' Room, Workplane 2.5' above floor, 80/50/20% Reflectances

Finish Adjust. factors

CL = 100%
CCL = 95%
CCD = 87%
WH = 87%

CCT Adjust. factors

4000K = 103%
3500K = 100%
3000K = 97%
2700K = 87%

Coefficients of utilization

Ceiling	80%				70%				50%				30%				0%
	70	50	30	10	50	10	50	10	50	10	50	10	50	10	0		
RCR	Zonal cavity method - Effective floor reflectance = 20%																
Room Cavity Ratio	0	119	119	119	119	116	116	111	111	106	106	100	106	106	100		
1	115	113	111	109	111	108	107	104	103	101	97	103	101	97	94		
2	111	108	105	102	106	101	103	99	100	97	94	100	97	94	94		
3	108	103	100	97	102	96	100	95	97	93	91	97	93	91	91		
4	105	99	95	92	98	92	96	91	94	90	88	94	90	88	88		
5	102	96	92	89	95	88	93	88	92	87	85	92	87	85	85		
6	99	93	88	85	92	85	91	85	89	84	83	89	84	83	83		
7	96	90	86	83	89	82	88	82	87	82	80	87	82	80	80		
8	93	87	83	80	86	80	86	80	85	79	78	85	79	78	78		
9	91	84	80	78	84	78	83	77	83	77	76	83	77	76	76		
10	89	82	78	76	82	76	81	75	81	75	74	81	75	74	74		

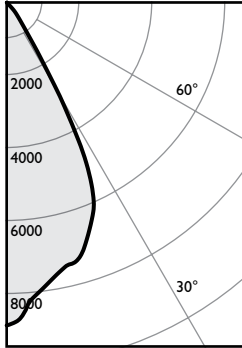
1. Correlated Color Temperature within specs as defined in ANSI_NEMA_ANSI C78.377-2008: Specifications for the Chromaticity of Solid State Lighting Products.
2. Wattage controlled to within +/- 5%.
3. Tested using absolute photometry as specified in LM79: IESNA Approved Method for the Electrical and Photometric Measurements of Solid-State Lighting Products.

C7L-C-VB Calculite LED

7" Cylinder, Downlight & Wall Wash, Narrow, Medium & Wide Beam
1500/2000/3500/6000 lm

69W LED, 3500K, 55° Medium 6000 lumen

Candela Curve



Fixture: C7L50CW35KMCLUVB

CCT¹: 3500K
Output lumens: 5963 lms
Input watts²: 69.2 W
Efficacy: 86.2 lm/w
CRI: 80 min
Spacing Crit.: 0.8
Beam Spread: 55°
Report no³: 125GFR

Zonal summary

Zone	Lumens	%Luminaire
0-30	5171	86.7%
0-40	5833	97.8%
0-60	5954	99.8%
0-90	5963	100.0%

Angle	Mean CP	Lumens
0	8911	
5	8195	770
10	7673	
15	7395	2052
20	6676	
25	5541	2348
30	2654	
35	839	662
40	421	
45	80	113
50	13	
55	10	8
60	7	
65	7	5
70	4	
75	3	4
80	1	
85	0	1
90	0	

Single unit data

Height to lighted plane	Initial center beam foot-candles	Beam diameter (ft)*
5'	356	4.0'
6'	248	4.8'
7'	182	5.6'
8'	139	6.4'
9'	110	7.2'

* Beam diameter is where foot-candles drop to 50% of maximum.

Multiple unit data - RCR 2

Spacing on center	Initial center beam foot-candles	Watts per sq. ft.
5'	276	3.07
6'	181	2.01
7'	129	1.44
8'	108	1.20
9'	86	0.96

38'x38'x10' Room, Workplane 2.5' above floor, 80/50/20% Reflectances

Finish Adjust. factors

CL = 100%
CCL = 95%
CCD = 87%
CCZ = 63%
WH = 87%

CCT Adjust. factors

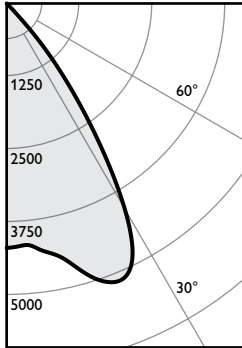
4000K = 103%
3500K = 100%
3000K = 97%
2700K = 87%

Coefficients of utilization

Ceiling	80%				70%				50%				30%				0%
Wall	70	50	30	10	50	10	50	10	50	10	50	10	50	10	50	10	0
RCR	Zonal cavity method - Effective floor reflectance = 20%																
Room Cavity Ratio	0	119	119	119	119	116	116	111	111	106	106	100	106	106	100	95	
1	114	111	109	107	109	105	105	102	102	99	99	97	93	89	88	84	
2	109	105	101	98	103	97	100	95	95	88	88	84	82	79	76	75	
3	104	98	94	90	97	90	95	88	88	82	82	78	74	71	70	67	
4	100	93	88	84	92	84	90	83	83	77	77	73	69	67	64	60	
5	95	88	83	79	87	78	85	78	78	73	73	69	65	64	60	57	
6	91	83	78	74	82	74	81	73	73	68	68	64	60	59	55	51	
7	87	79	73	70	78	69	77	69	69	64	64	60	56	55	51	48	
8	83	75	69	66	74	66	73	65	65	60	60	56	52	51	47	44	
9	80	71	66	62	71	62	70	62	62	57	57	53	49	48	44	41	
10	77	68	63	59	67	59	67	59	59	54	54	50	46	45	41	38	

69W LED, 3500K, 70° Wide 6000 lumen

Candela Curve



Fixture: C7L50CW35KWCLUVB

CCT¹: 3500K
Output lumens: 5889 lms
Input watts²: 69.2 W
Efficacy: 85.1 lm/w
CRI: 80 min
Spacing Crit.: 1.1
Beam Spread: 70°
Report no³: 328GFR

Zonal summary

Zone	Lumens	%Luminaire
0-30	4013	68.1%
0-40	5608	95.2%
0-60	5881	99.9%
0-90	5889	100.0%

Angle	Mean CP	Lumens
0	4197	
5	4120	404
10	4350	
15	4705	1348
20	5106	
25	5077	2261
30	4159	
35	2538	1595
40	1197	
45	150	265
50	11	
55	10	8
60	7	
65	4	5
70	3	
75	2	2
80	1	
85	0	0
90	0	

Single unit data

Height to lighted plane	Initial center beam foot-candles	Beam diameter (ft)*
5'	168	5.5'
6'	117	6.6'
7'	86	7.7'
8'	66	8.8'
9'	52	9.9'

* Beam diameter is where foot-candles drop to 50% of maximum.

Multiple unit data - RCR 2

Spacing on center	Initial center beam foot-candles	Watts per sq. ft.
5'	268	3.07
6'	176	2.01
7'	125	1.44
8'	105	1.20
9'	84	0.96

38'x38'x10' Room, Workplane 2.5' above floor, 80/50/20% Reflectances

Finish Adjust. factors

CL = 100%
CCL = 95%
CCD = 87%
CCZ = 63%
WH = 87%

CCT Adjust. factors

4000K = 103%
3500K = 100%
3000K = 97%
2700K = 87%

Coefficients of utilization

Ceiling	80%				70%				50%				30%				0%
Wall	70	50	30	10	50	10	50	10	50	10	50	10	50	10	50	10	0
RCR	Zonal cavity method - Effective floor reflectance = 20%																
Room Cavity Ratio	0	119	119	119	119	116	116	111	111	106	106	100	106	106	100	93	
1	113	111	108	106	108	104	104	101	101	98	98	95	90	86	84	80	
2	108	103	99	95	101	94	98	92	92	87	87	83	78	74	71	69	
3	102	95	90	86	94	86	91	84	84	80	80	76	72	69	66	63	
4	97	89	83	79	88	78	85	77	77	73	73	69	65	62	60	57	
5	91	83	77	72	82	72	80	71	71	67	67	63	59	56	53	50	
6	86	77	71	67	76	66	75	66	66	62	62	58	54	51	48	45	
7	82	72	66	62	72	61	70	61	61	57	57	53	49	46	43	40	
8	78	68	61	57	67	57	66	57	57	53	53	49	45	42	39	36	
9	74	63	57	53	63	53	62	53	53	49	49	45	41	38	35	32	
10	70	60	54	50	59	50	58	49	49	45	45	41	37	34	31	28	

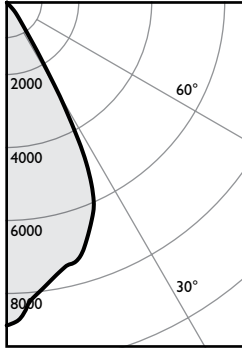
1. Correlated Color Temperature within specs as defined in ANSI_NEMA_ANSI C78.377-2008: Specifications for the Chromaticity of Solid State Lighting Products.
2. Wattage controlled to within +/- 5%.
3. Tested using absolute photometry as specified in LM79: IESNA Approved Method for the Electrical and Photometric Measurements of Solid-State Lighting Products.

C7L-C-VB Calculite LED

7" Cylinder, Downlight & Wall Wash, Narrow, Medium & Wide Beam
1500/2000/3500/6000 lm

69W LED, 3500K, 55° Medium 6000 lumen

Candela Curve



Fixture: C7L50CW35KMCLUVB

CCT¹: 3500K
Output lumens: 5963 lms
Input watts²: 69.2 W
Efficacy: **86.2 lm/w**
CRI: 80 min
Spacing Crit.: 0.8
Beam Spread: 55°
Report no³: 125GFR

Zonal summary

Zone	Lumens	%Luminaire
0-30	5171	86.7%
0-40	5833	97.8%
0-60	5954	99.8%
0-90	5963	100.0%

Angle	Mean CP	Lumens
0	8911	
5	8195	770
10	7673	
15	7395	2052
20	6676	
25	5541	2348
30	2654	
35	839	662
40	421	
45	80	113
50	13	
55	10	8
60	7	5
65	7	
70	4	4
75	3	
80	1	1
85	0	
90	0	

Single unit data

Height to lighted plane	Initial center beam foot-candles	Beam diameter (ft)*
5'	356	4.0'
6'	248	4.8'
7'	182	5.6'
8'	139	6.4'
9'	110	7.2'

* Beam diameter is where foot-candles drop to 50% of maximum.

Multiple unit data - RCR 2

Spacing on center	Initial center beam foot-candles	Watts per sq. ft.
5'	276	3.07
6'	181	2.01
7'	129	1.44
8'	108	1.20
9'	86	0.96

38'x38'x10' Room, Workplane 2.5' above floor, 80/50/20% Reflectances

Finish Adjust. factors

CL = 100%
CCL = 95%
CCD = 87%
CCZ = 63%
WH = 87%

CCT Adjust. factors

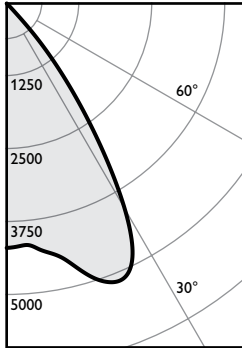
4000K = 103%
3500K = 100%
3000K = 97%
2700K = 87%

Coefficients of utilization

Ceiling	80%				70%				50%				30%				0%
	70	50	30	10	50	10	50	10	50	10	50	10	50	10	0		
RCR	Zonal cavity method - Effective floor reflectance = 20%																
Room Cavity Ratio	0	119	119	119	119	116	116	111	111	106	106	100	106	106	100		
1	114	111	109	107	109	105	105	102	102	99	99	97	93	89	89		
2	109	105	101	98	103	97	100	95	97	93	89	92	87	84	84		
3	104	98	94	90	97	90	95	88	92	87	84	88	82	79	79		
4	100	93	88	84	92	84	90	83	90	83	88	82	79	75	75		
5	95	88	83	79	87	78	85	78	84	77	75	84	77	75	75		
6	91	83	78	74	82	74	81	73	80	73	71	80	73	71	71		
7	87	79	73	70	78	69	77	69	76	69	67	76	69	67	67		
8	83	75	69	66	74	66	73	65	72	65	64	72	65	64	64		
9	80	71	66	62	71	62	70	62	69	62	60	69	62	60	60		
10	77	68	63	59	67	59	67	59	66	59	57	66	59	57	57		

69W LED, 3500K, 70° Wide 6000 lumen

Candela Curve



Fixture: C7L50CW35KWCLUVB

CCT¹: 3500K
Output lumens: 5889 lms
Input watts²: 69.2 W
Efficacy: **85.1 lm/w**
CRI: 80 min
Spacing Crit.: 1.1
Beam Spread: 70°
Report no³: 328GFR

Zonal summary

Zone	Lumens	%Luminaire
0-30	4013	68.1%
0-40	5608	95.2%
0-60	5881	99.9%
0-90	5889	100.0%

Angle	Mean CP	Lumens
0	4197	
5	4120	404
10	4350	
15	4705	1348
20	5106	
25	5077	2261
30	4159	
35	2538	1595
40	1197	
45	150	265
50	11	
55	10	8
60	7	5
65	4	
70	3	2
75	2	
80	1	0
85	0	
90	0	

Single unit data

Height to lighted plane	Initial center beam foot-candles	Beam diameter (ft)*
5'	168	5.5'
6'	117	6.6'
7'	86	7.7'
8'	66	8.8'
9'	52	9.9'

* Beam diameter is where foot-candles drop to 50% of maximum.

Multiple unit data - RCR 2

Spacing on center	Initial center beam foot-candles	Watts per sq. ft.
5'	268	3.07
6'	176	2.01
7'	125	1.44
8'	105	1.20
9'	84	0.96

38'x38'x10' Room, Workplane 2.5' above floor, 80/50/20% Reflectances

Finish Adjust. factors

CL = 100%
CCL = 95%
CCD = 87%
CCZ = 63%
WH = 87%

CCT Adjust. factors

4000K = 103%
3500K = 100%
3000K = 97%
2700K = 87%

Coefficients of utilization

Ceiling	80%				70%				50%				30%				0%
	70	50	30	10	50	10	50	10	50	10	50	10	50	10	0		
RCR	Zonal cavity method - Effective floor reflectance = 20%																
Room Cavity Ratio	0	119	119	119	119	116	116	111	111	106	106	100	106	106	100		
1	113	111	108	106	108	104	104	101	101	99	99	97	93	89	89		
2	108	103	99	95	101	94	98	92	95	90	86	92	87	84	84		
3	102	95	90	86	94	86	91	84	89	83	80	88	82	79	79		
4	97	89	83	79	88	78	85	77	83	76	74	82	76	74	74		
5	91	83	77	72	82	72	80	71	78	71	69	76	70	69	69		
6	86	77	71	67	76	66	75	66	74	66	64	72	66	64	64		
7	82	72	66	62	72	61	70	61	69	61	59	69	61	59	59		
8	78	68	61	57	67	57	66	57	65	57	55	65	57	55	55		
9	74	63	57	53	63	53	62	53	61	53	51	61	53	51	51		
10	70	60	54	50	59	50	58	49	58	49	48	58	49	48	48		

1. Correlated Color Temperature within specs as defined in ANSI_NEMA_ANSI C78.377-2008: Specifications for the Chromaticity of Solid State Lighting Products.
2. Wattage controlled to within +/- 5%.
3. Tested using absolute photometry as specified in LM79: IESNA Approved Method for the Electrical and Photometric Measurements of Solid-State Lighting Products.

© 2015 Koninklijke Philips N.V. All rights reserved.
Philips reserves the right to make changes in specifications and/or to discontinue any product at any time without notice or obligation and will not be liable for any consequences resulting from the use of this publication.
philips.com/luminaires



Philips Lighting, North America Corporation
200 Franklin Square Drive, Somerset, NJ 08873
Tel. 855-486-2216

Imported by: Philips Lighting,
A division of Philips Electronics Ltd.
281 Hillmount Rd, Markham, ON, Canada L6C 2S3
Tel. 800-668-9008