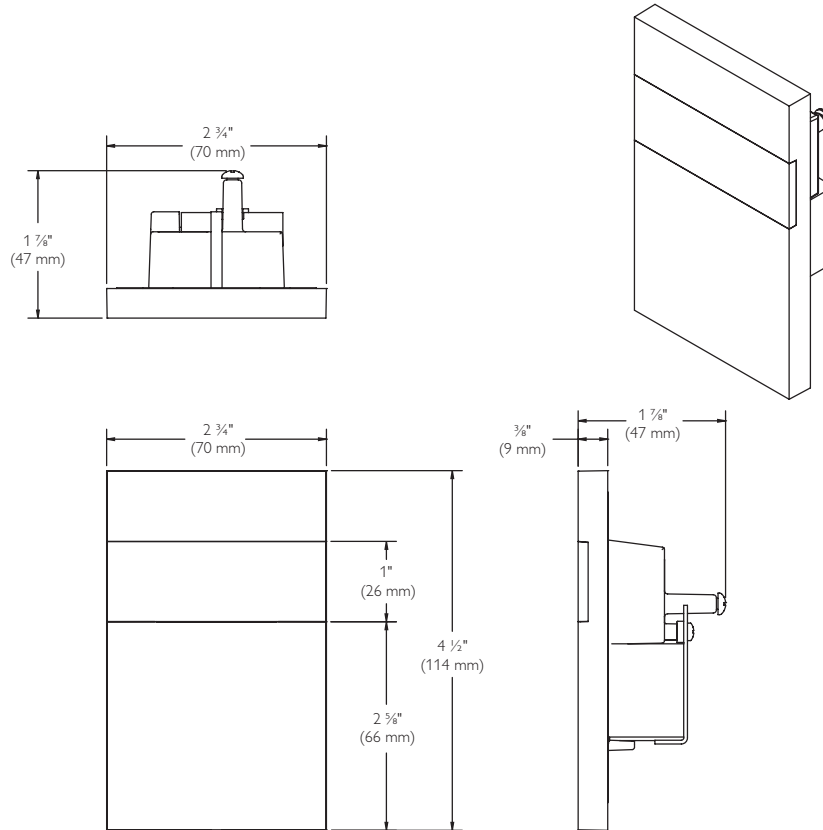


# DML01

## Decorative, Linear Marker LED

Page 1 of 2

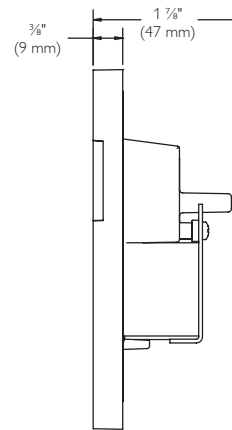
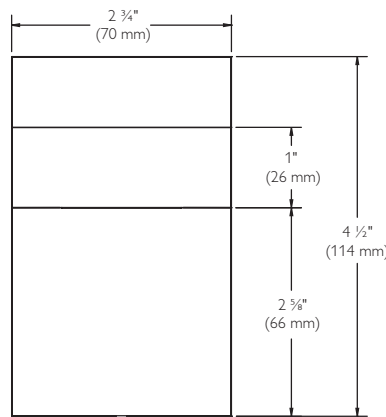
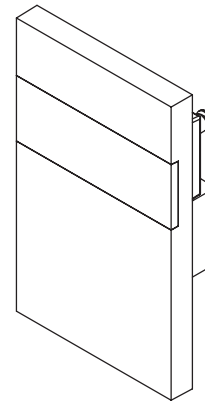
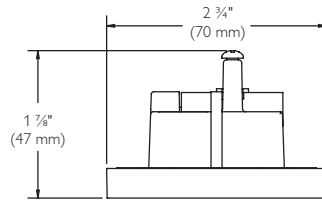


Catalog Number	Finish	Lamp	Wattage	Color Temp	Voltage
DML01WLW	White	LED	1W	3000K	120-240V
DML01WLSA	Satin Aluminum	LED	1W	3000K	120-240V

<b>Job Information</b>	<b>Type:</b>
<b>Job Name:</b>	
<b>Cat. No.:</b>	
<b>Notes:</b>	

**PHILIPS**  
**LIGHTOLIER**

## Decorative, Linear Marker LED



### Feature

1. **Heat Sink/Driver Housing:** Die-cast aluminum.
2. **Lens:** Injection molded acrylic sandblasted, developed for optimum optical output.
3. **Face Plate:** Die-cast aluminum.
4. **Switch Box Mounting Plate:** 18ga. C.R.S. zinc plated, for mounting to a 3 1/2" deep switch box.

### Electrical

**LED:** (1) 1W 3000K white LED. Average expected life, under normal operating conditions is 50,000 hours with lumen maintenance of 70% of original light output.

**Driver:** Class 2 power supply.

**Voltage:** 120V

### Electrical (continued)

**Output Wattage:** 1 W

**Input Current (max.):** 65 mA

**Frequency:** 50/60 Hz

**Output Voltage (VDC):** 4 V

**Constant Current:** 350 mA

### Finish

Satin aluminum with protective clearcoat.

Matte white powder coat.

### Labels

cULus Listed. Suitable for wet locations.

Wall mount only.



Philips Lightolier  
 e: lol.webmaster@philips.com  
 t: (508) 679-8131  
 w: www.lightolier.com

DML01 February 23, 2012

Specifications are subject to change without notice.  
 © Koninklijke Philips Electronics N.V., 2012. All rights reserved.

<b>Job Information</b>	<b>Type:</b>
------------------------	--------------