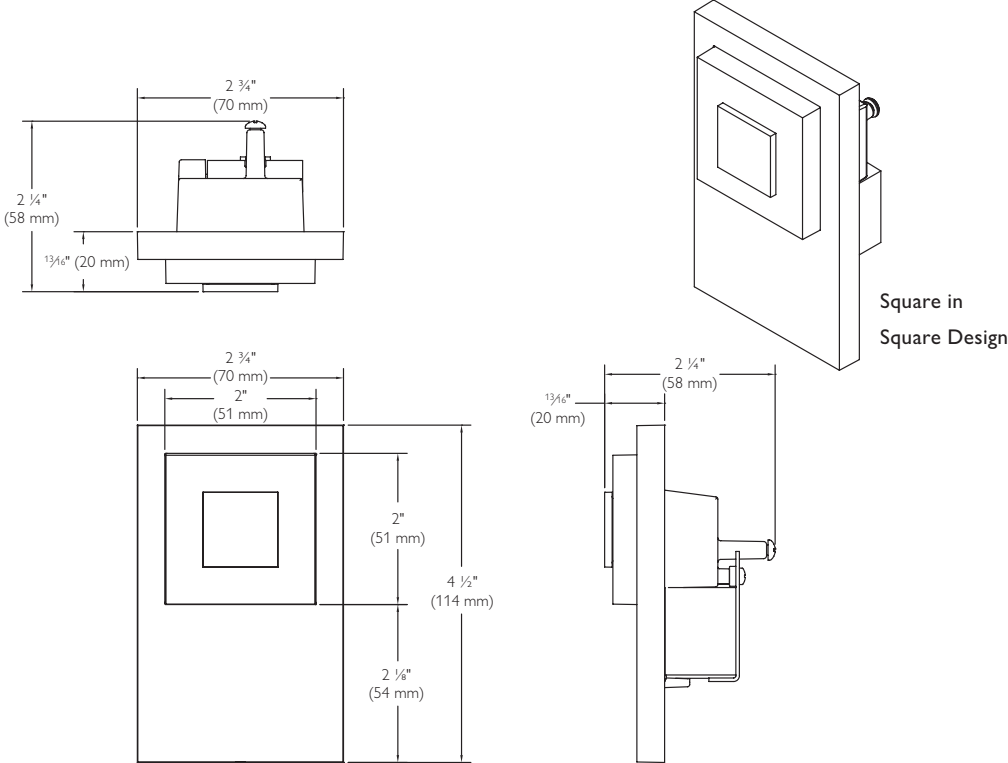


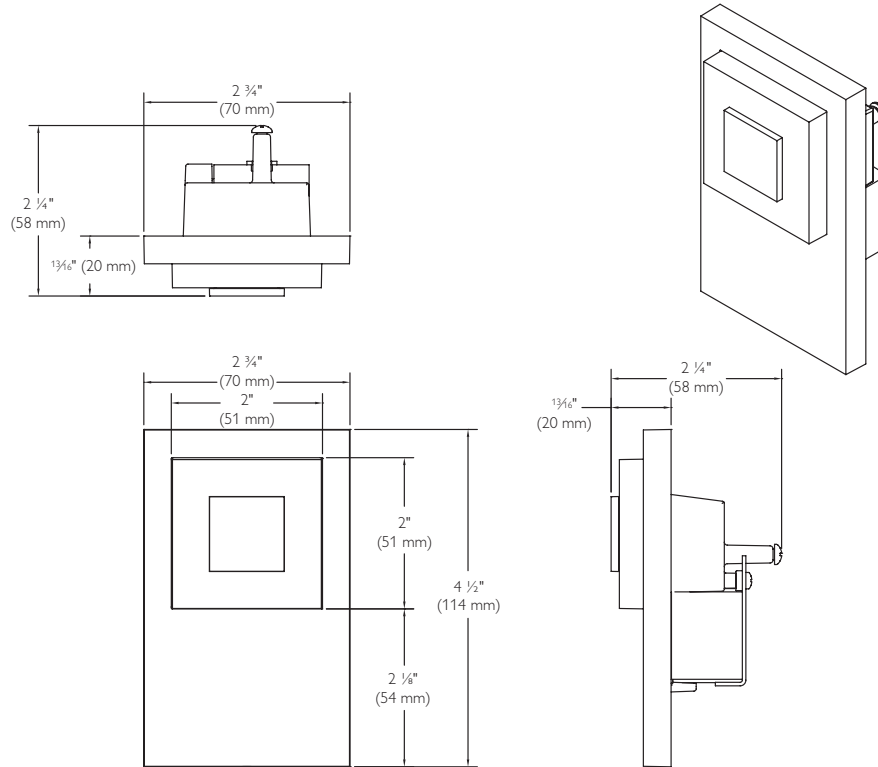
DMP01

Decorative, Pattern Maker LED



Catalog Number	Finish	Lamp	Wattage	Color Temp	Voltage
DMP01WLW	White	LED	1W	3000K	120-240V
DMP01WLSA	Satin Aluminum	LED	1W	3000K	120-240V

Job Information	Type:
Job Name:	
Cat. No.:	
Notes:	



Features

1. **Heat Sink/Driver Housing:** Die-cast aluminum.
2. **Lens:** Injection molded acrylic sandblasted with clear polished edges, developed for optimum optical output.
3. **Face Plate:** Die-cast aluminum.
4. **Light Shield:** Die-cut .020" thick aluminum (not shown).
5. **Decorative Light Diffuser:** Die-cast aluminum.
6. **Switch Box Mounting Plate:** 18ga. C.R.S. zinc plated, for mounting to a 3 1/2" deep switch box.

Electrical

LED: (1) 1W 3000K white LED. Average expected life, under normal operating conditions is 50,000 hours with lumen maintenance of 70% of original light output.

Driver: Class 2 power supply.

Electrical (continued)

Voltage:	120V
Output Wattage:	1 W
Input Current (max.):	65 mA
Frequency:	50/60 Hz
Output Voltage (VDC):	4 V
Constant Current:	350 mA

Finish

Satin aluminum with protective clearcoat.
Matte white powder coat.

Labels

cULus Listed. Suitable for wet locations.
Wall mount only.



Philips Lightolier
e: lol.webmaster@philips.com
t: (508) 679-8131
w: www.lightolier.com

DMP01 May 31, 2011

Specifications are subject to change without notice.
© Koninklijke Philips Electronics N.V., 2011. All rights reserved.

Job Information	Type:
------------------------	--------------