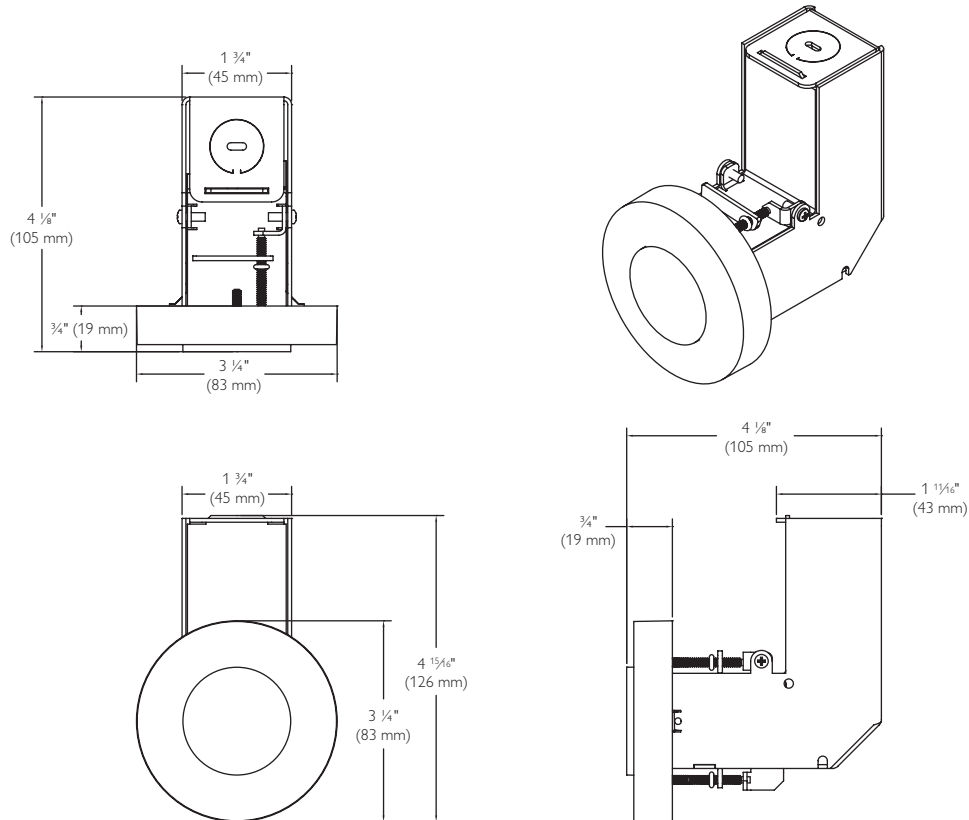


# DMR01

## Decorative, Round Marker LED

Page 1 of 2

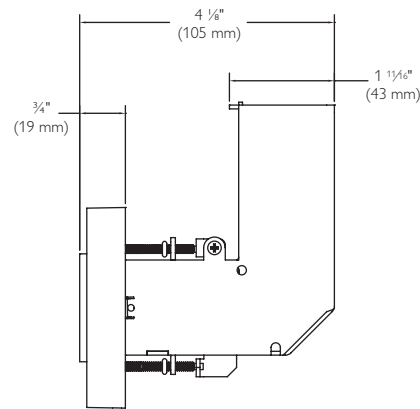
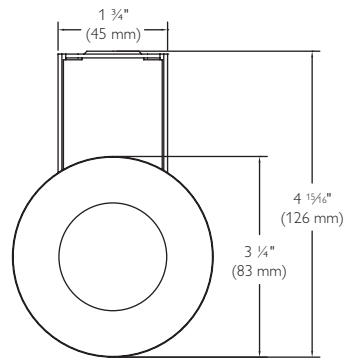
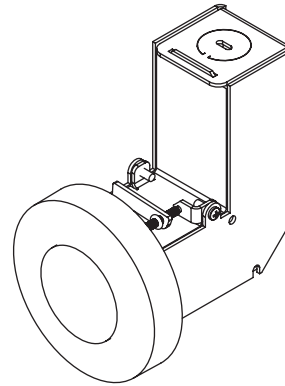
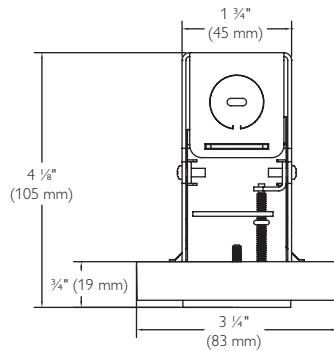


Catalog Number	Finish	Lamp	Wattage	Color Temp	Voltage
DMR01WLSA	Clear, Satin Aluminum Inner Circle	LED	1W	3000K	120-240V

Job Information	Type:
Job Name:	
Cat. No.:	
Notes:	

**PHILIPS**  
**LIGHTOLIER**

## Decorative, Round Marker LED



### Features

1. **Heat Sink/Driver Housing:** Die cast aluminum.
2. **Lens:** Injection molded acrylic sandblasted with clear polished edges, developed for optimum optical output. Decorative aluminum shield.
3. **Acrylic Mounting Ring:** Die cast aluminum.
4. **Decorative Light Diffuser:** Die cast aluminum.
5. **Re-modeler Junction Box:** Die cut and formed 16ga. Galvanized steel. Can be used in new or existing construction.

### Electrical

**LED:** (1) 1W 3000K white LED. Average expected life, under normal operating conditions is 50,000 hours with lumen maintenance of 70% of original light output.

**Driver:** Integral Class 2 power supply.

### Electrical (continued)

<b>Voltage:</b>	120V
<b>Output Wattage:</b>	1 W
<b>Input Current (max.):</b>	65 mA
<b>Frequency:</b>	50/60 Hz
<b>Output Voltage (VDC):</b>	4 V
<b>Constant Current:</b>	350 mA

### Finish

Satin aluminum with protective clearcoat.

### Labels

cULus Listed. Suitable for Wet Locations. Type IC.  
Wall mount only.



Philips Lightolier  
e: lol.webmaster@philips.com  
t: (508) 679-8131  
w: www.lightolier.com

DMR01 February 27, 2012

Specifications are subject to change without notice.  
© Koninklijke Philips Electronics N.V., 2012. All rights reserved.

<b>Job Information</b>	<b>Type:</b>
------------------------	--------------