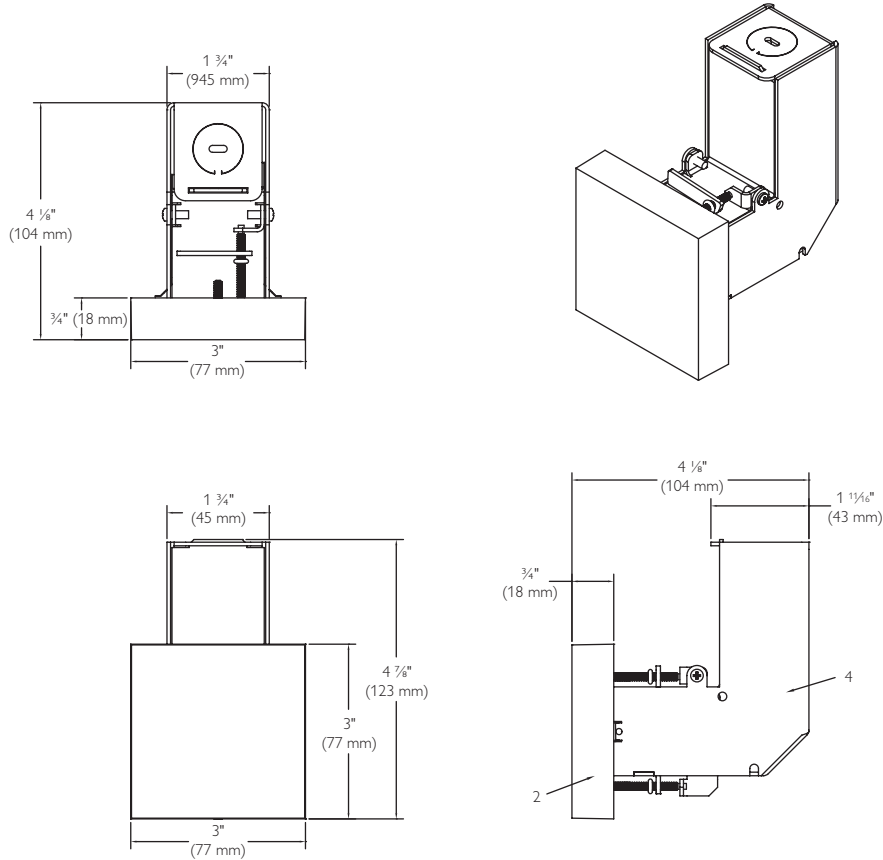


DMS01

Decorative, Square Marker LED

Page 1 of 2

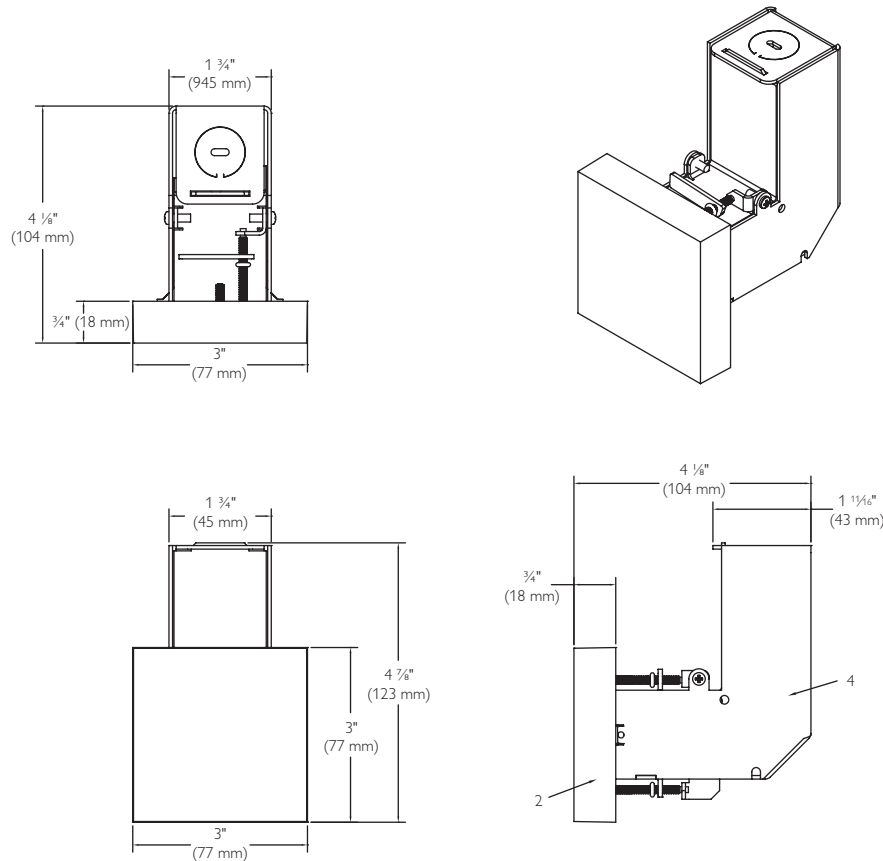


Catalog Number	Finish	Lamp	Wattage	Color Temp	Voltage
DMS01WL	Clear with Etched Face	LED	1W	3000K	120-240V

Job Information	Type:
Job Name:	
Cat. No.:	
Notes:	

PHILIPS
LIGHTOLIER

Decorative, Square Marker LED



Features

- Heat Sink/Driver Housing:** Die cast aluminum.
- Lens:** Injection molded acrylic sandblasted with clear polished edges, developed for optimum optical output.
- Acrylic Mounting Plate:** Die cast aluminum.
- Re-modeler Junction Box:** Die cut and formed 16ga. Galvanized steel. Can be used in new or existing construction.

Electrical

LED: (1) 1W 3000K white LED. Average expected life, under normal operating conditions is 50,000 hours with lumen maintenance of 70% of original light output.

Driver: Integral Class 2 power supply.

Voltage: 120V

Electrical (continued)

Output Wattage: 1 W
Input Current (max.): 65 mA
Frequency: 50/60 Hz
Output Voltage (VDC): 4 V
Constant Current: 350 mA

Finish

Lens – Sandblasted acrylic with clear polished edges.

Labels

cULus Listed. Suitable for Wet Locations. Type IC.
 Wall mount only.



Philips Lightolier
 e: lol.webmaster@philips.com
 t: (508) 679-8131
 w: www.lightolier.com

DMS01 February 23, 2012

Specifications are subject to change without notice.
 © Koninklijke Philips Electronics N.V., 2012. All rights reserved.

Job Information	Type:
-----------------	-------