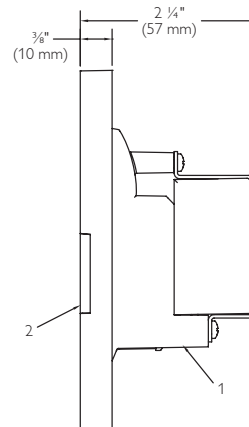
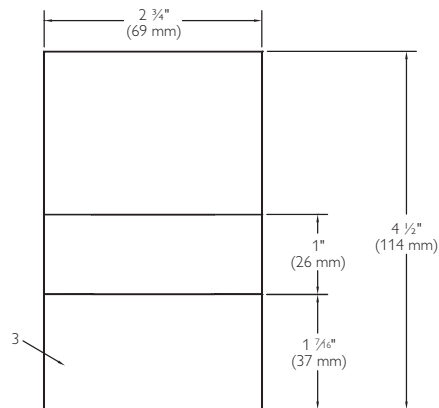
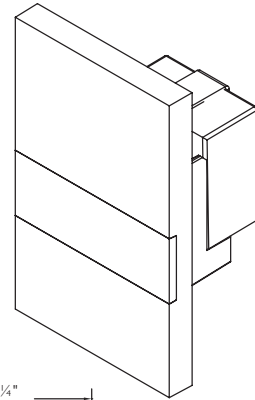
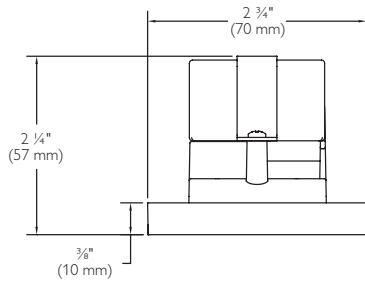


DSL01

Decorative, Linear Step LED

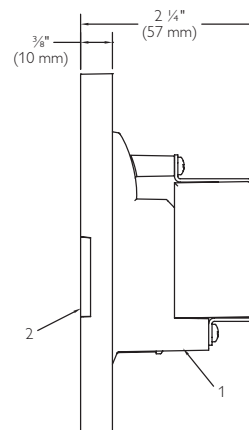
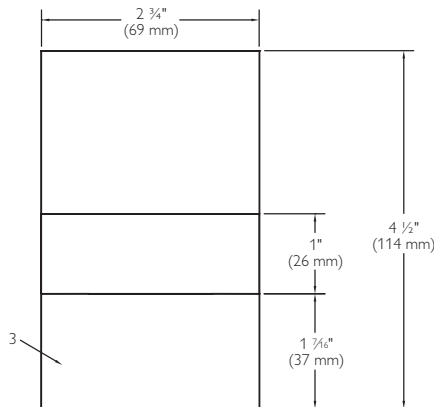
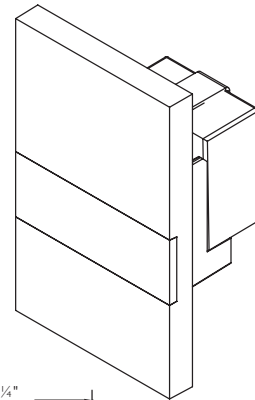
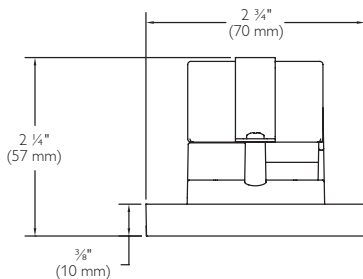
Page 1 of 2



| Catalog Number | Finish | Lamp | Wattage | Color Temp | Voltage |
|----------------|----------------|------|---------|------------|----------|
| DSL01WLW | White | LED | 4W | 3000K | 120-240V |
| DSL01WLSA | Satin Aluminum | LED | 4W | 3000K | 120-240V |

| | |
|------------------------|--------------|
| Job Information | Type: |
| Job Name: | |
| Cat. No.: | |
| Notes: | |

PHILIPS
LIGHTOLIER



Features

1. **Heat Sink/Driver Housing:** Die-cast aluminum.
2. **Lens:** Injection molded polycarbonate clear, developed for optimum optical output.
3. **Face Plate:** Die-cast aluminum.
4. **Switch Box Mounting Plate:** 18ga. C.R.S. zinc plated, for mounting to a 3 1/2" deep switch box. (Not shown)

Electrical

LED: (1) 4W 3000K white LED. Average expected life, under normal operating conditions is 50,000 hours with lumen maintenance of 70% of original light output.

Driver: Class 2 power supply.

Voltage: 120V

Electrical (continued)

Output Wattage: 5 W

Input Current (max.): 100 mA

Frequency: 50/60 Hz

Output Voltage (VDC): 12 V

Constant Current: 500 mA

Finish

Satin aluminum with protective clearcoat.

Matte white powder coat.

Labels

cULus Listed. Suitable for wet locations.

Wall mount only.



Philips Lightolier
 e: lol.webmaster@philips.com
 t: (508) 679-8131
 w: www.lightolier.com

DSL01 May 31, 2011

Specifications are subject to change without notice.
 © Koninklijke Philips Electronics N.V., 2011. All rights reserved.

| Job Information | Type: |
|-----------------|-------|
|-----------------|-------|