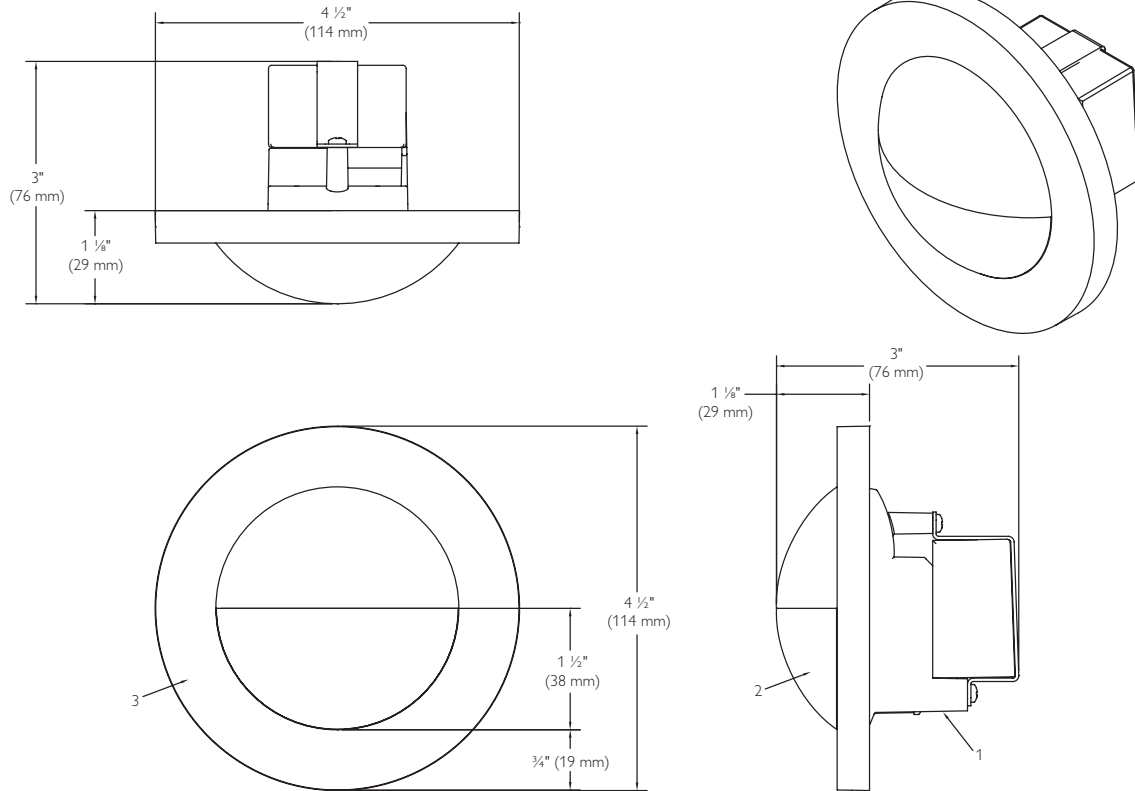


DSR01

Decorative, Round Step LED

Page 1 of 2



Catalog Number	Finish	Lamp	Wattage	Color Temp	Voltage
DSR01WLW	White	LED	4W	3000K	120-240V
DSR01WLSA	Satin Aluminum	LED	4W	3000K	120-240V

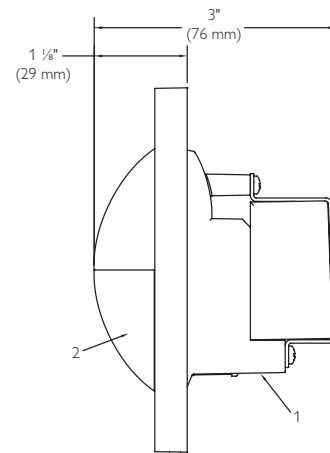
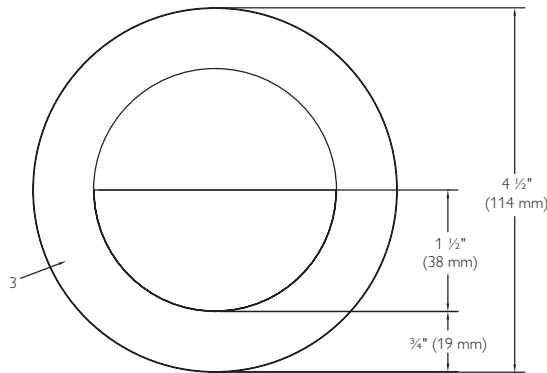
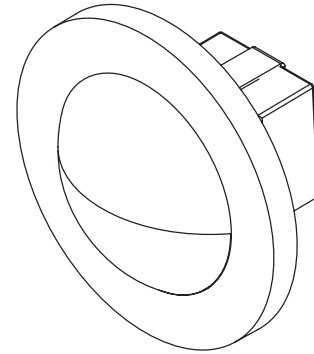
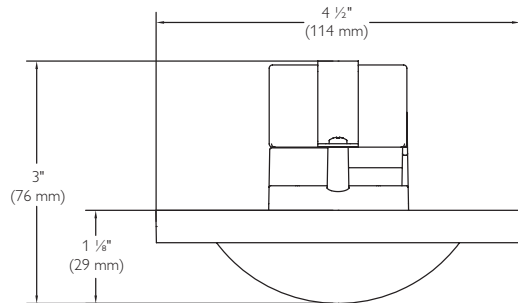
Job Information	Type:
Job Name:	
Cat. No.:	
Notes:	

PHILIPS
LIGHTOLIER

DSR01

Decorative, Round Step LED

Page 2 of 2



Features

- 1. Heat Sink/Driver Housing:** Die-cast aluminum.
- 2. Lens:** Injection molded acrylic clear, developed for optimum optical output.
- 3. Face Plate:** Die-cast aluminum.
- 4. Switch Box Mounting Plate:** 18ga. C.R.S. zinc plated, for mounting to a 3 1/2" deep switch box. (Not shown)

Electrical

LED: (1) 4W 3000K white LED. Average expected life, under normal operating conditions is 50,000 hours with lumen maintenance of 70% of original light output.

Driver: Class 2 power supply.

Voltage: 120V

Electrical (continued)

Output Wattage: 5 W

Input Current (max.): 100 mA

Frequency: 50/60 Hz

Output Voltage (VDC): 12 V

Constant Current: 500 mA

Finish

Satin aluminum with protective clearcoat.

Matte white powder coat.

Labels

cULus Listed. Suitable for wet locations.

Wall mount only.



Philips Lightolier
e: lol.webmaster@philips.com
t: (508) 679-8131
w: www.lightolier.com

DSR01 May 31, 2011

Specifications are subject to change without notice.
© Koninklijke Philips Electronics N.V., 2011. All rights reserved.

Job Information	Type:
------------------------	--------------