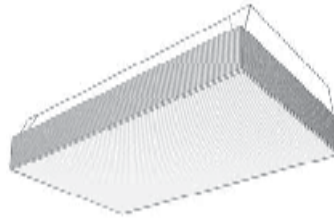


**PHILIPS**  
**Day-Brite**  
**CFI**

Linear

Dominaire II  
wraparound

2', 14" wide, T8



Project: \_\_\_\_\_  
 Location: \_\_\_\_\_  
 Cat.No: \_\_\_\_\_  
 Type: \_\_\_\_\_  
 Lamps: \_\_\_\_\_ Qty: \_\_\_\_\_  
 Notes: \_\_\_\_\_

The Philips Day-Brite / Philips CFI Dominaire II wraparound is an excellent lighting solution for illuminating cafeterias, small offices, corridors, kitchens, and family rooms.

**Ordering guide**

**Example: WB2B417UNV-1/4-EB**

| Family  | Length                         | Width                          | Lamp quantity/<br>cross section | Lamp Type<br>(by others)        | Voltage   | Options   |
|---|--------------------------------|--------------------------------|---------------------------------|---------------------------------|---|---|
| <input type="text" value="WB"/>                   | <input type="text" value="2"/> | <input type="text" value="B"/> | <input type="text" value="4"/>  | <input type="text" value="17"/> | <input type="text" value=""/> –   | <input type="text" value=""/>   |
| <b>WB</b> Dominaire II wraparound with white body | 2 2'                           | B 14"                          | 4 4 lamp T8                     | 17 17WT8                        | <b>UNV</b> Universal voltage, 120-277V<br><b>120</b> 120V<br><b>277</b> 277V<br><b>347</b> 347V | <b>1/4</b> One 4-lamp ballast<br><b>2/2</b> Two 2-lamp ballasts<br><b>EB</b> Electronic ballast, <10% THD<br><b>EB10R</b> Electronic ballast, program rapid start, <10% THD<br><b>EBHE</b> Electronic ballast, high efficiency, std. ballast factor<br><b>EBLHE</b> Electronic ballast, high efficiency, low ballast factor<br><b>EBHHE</b> Electronic ballast, high efficiency, high ballast factor<br><b>EBSD</b> Electronic ballast, step dimming, std. (.88) ballast factor<br><b>EBD7</b> Advance Mark 7 dimming ballast, 0-10V (low voltage) control<br><b>EBDX</b> Advance Mark 10 dimming ballast, phase control<br><b>EBD</b> Electronic dimming ballast, customer specified<br><b>E1</b> B100 emerg. ballast, 350-450 lumens, 120/277V<br><b>E1CAN</b> B100-CAN emerg. ballast, Canada market, 350-450 lumens, 120/347V<br><b>E7</b> B60 emerg. ballast, 600-700 lumens, 120/277V<br><b>GLR</b> Fusing, fast blow |

**Accessories (order separately)**

**Stem and Canopy Sets** – suspend luminaire 12", 18", 24", 36", or 48" from surface

- **CS-400** – Rigid canopy
- **CS-500** – 42" top swivel canopy
- **CS-12** – 12" Stem
- **CS-18** – 18" Stem
- **CS-24** – 24" Stem
- **CS-30** – 30" Stem
- **CS-36** – 36" Stem
- **CS-48** – 48" Stem

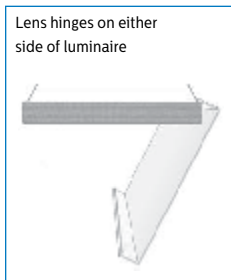
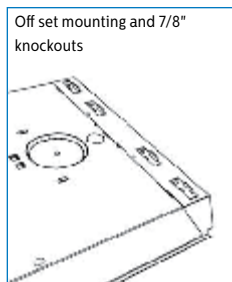
When stem mounting luminaires in continuous rows, units must be coupled with nuts and bolts (by others) at end of fixture.

# WB Dominaire II wraparound

2', 14" wide, T8

## Features

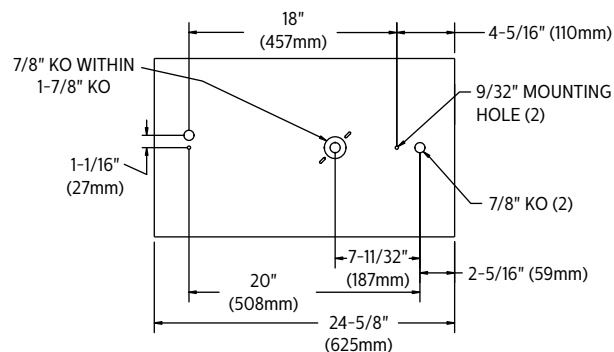
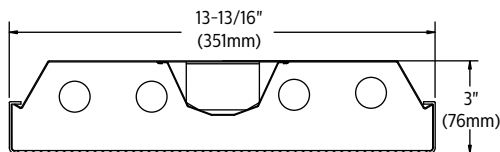
- Step back housing for an apparent depth of 1-1/2".
- Only 3" total depth.
- Prismatic virgin acrylic lens – 14" wide.
- Efficiency 69.0%.
- Luminous catadioptric end caps.
- Two side self-leveling lens hinging.
- Zip-clip flush mount on T-grid ceilings.
- Off center 7/8" K.O. for flush mount to T-grid ceiling.



## Specifications

- **Performance:** In an installation of 4 lamp 17WT8 luminaires in a room cavity ratio of 1, with reflectance of 80% ceiling, 50% wall, 20% floor, the C.U. shall not be less than .71. To reduce glare the average brightness at 65° shall not exceed 2585 candelas per square meter. To control veiling reflections, luminaire output in the 30°-90° zone shall not be less than 64.1%.
- **Materials:** Chassis parts are die-formed code gauge cold rolled steel.
- **Finish:** Chassis exterior—white baked polyester enamel. Cavity— white baked polyester enamel minimum 86% reflectance. Phosphate under-coating.
- **Lens:** One-piece extruded acrylic prismatic bottom and side walls.
- **End Caps:** Injection molded catadioptric end caps separate from lens.
- **Electrical:** Thermally protected class "P" ballast, non PCB. If K.O. is within 3" of ballast, use wire suitable for at least 90°.
- **Labels:** cULus listed, suitable for damp locations.

## Dimensions



Some luminaires use fluorescent or high intensity discharge (HID) lamps that contain small amounts of mercury. Such lamps are labeled, "Contain Mercury" and/or the symbol "HG". Lamps that contain mercury must be disposed of in accordance with local requirements. Information regarding lamp recycling and disposal can be found at [www.lamprecycle.org](http://www.lamprecycle.org)

# WB Dominaire II wraparound

2', 14" wide, T8

## Photometry

Model No. **WB2B41UNV-1/4-EB**

LER = FW - 61.5 IW - 54.3 BF - 0.88  
 Comparative yearly lighting energy cost per  
 1000 lumens = \$3.90

TER - 54

Report Number: G2007050

Catalog Number: WB2B41UNV-1/4-EB

Lamp: (4) F17T8

Luminaire: Dominaire II WB with clear  
 prismatic lens

Ballast: B432IUNVHP-A (Triad)

Report is based on 1375 Lumens per lamp.

Efficiency: 69.0%

CIE Type: Direct

Plane: 0-Deg 90-Deg

Spacing Criteria: 1.2 1.4

Shielding Angles: 90 90

COEFFICIENTS OF UTILIZATION -  
 ZONAL CAVITY METHOD. EFFECTIVE  
 FLOOR CAVITY REFLECTANCE 0.20

| RC | 80 |    | 50 |    | 30 |    |    |    |
|----|----|----|----|----|----|----|----|----|
| RW | 70 | 50 | 30 | 50 | 30 | 10 |    |    |
| 1  | 74 | 71 | 69 | 65 | 63 | 62 | 60 | 59 |
| 2  | 68 | 63 | 58 | 58 | 55 | 52 | 55 | 52 |
| 3  | 63 | 56 | 51 | 52 | 48 | 44 | 49 | 46 |
| 4  | 58 | 50 | 44 | 46 | 42 | 38 | 44 | 40 |
| 5  | 53 | 45 | 39 | 42 | 37 | 33 | 40 | 36 |
| 6  | 49 | 40 | 35 | 38 | 33 | 29 | 36 | 32 |
| 7  | 46 | 37 | 31 | 35 | 30 | 26 | 33 | 29 |
| 8  | 43 | 34 | 28 | 32 | 27 | 24 | 30 | 26 |
| 9  | 40 | 31 | 25 | 29 | 25 | 21 | 28 | 24 |
| 10 | 37 | 29 | 23 | 27 | 22 | 19 | 26 | 22 |

LUMINANCE DATA IN CANDELA/SQ. METER

| AVERAGE<br>IN DEG. | AVERAGE<br>0-DEG. | AVERAGE<br>45-DEG. | AVERAGE<br>90-DEG. |
|--------------------|-------------------|--------------------|--------------------|
| 45                 | 4751.             | 5496.              | 5487.              |
| 55                 | 3037.             | 3833.              | 3481.              |
| 65                 | 2497.             | 2526.              | 2585.              |
| 75                 | 2228.             | 2063.              | 2403.              |
| 85                 | 1714.             | 1826.              | 2098.              |

### CANDELA DISTRIBUTION

|     | 0.0  | 45.0 | 90.0 | FLUX |
|-----|------|------|------|------|
| 0   | 1380 | 1380 | 1380 |      |
| 5   | 1373 | 1376 | 1378 | 131  |
| 15  | 1321 | 1345 | 1364 | 380  |
| 25  | 1218 | 1282 | 1327 | 589  |
| 35  | 1058 | 1168 | 1216 | 721  |
| 45  | 800  | 949  | 971  | 700  |
| 55  | 427  | 558  | 524  | 468  |
| 65  | 271  | 288  | 309  | 282  |
| 75  | 163  | 163  | 204  | 177  |
| 85  | 61   | 76   | 100  | 83   |
| 90  | 28   | 39   | 65   |      |
| 95  | 30   | 38   | 69   | 50   |
| 105 | 44   | 48   | 95   | 64   |
| 115 | 37   | 63   | 64   | 55   |
| 125 | 26   | 40   | 45   | 35   |
| 135 | 22   | 36   | 38   | 26   |
| 145 | 17   | 29   | 32   | 17   |
| 155 | 13   | 21   | 24   | 9    |
| 165 | 10   | 13   | 15   | 4    |
| 175 | 7    | 8    | 8    | 1    |
| 180 | 7    | 7    | 7    |      |

### ZONAL LUMEN SUMMARY

| ZONE   | LUMENS | % LAMP | % FIXT |
|--------|--------|--------|--------|
| 0- 30  | 1100   | 20.0   | 29.0   |
| 0- 40  | 1821   | 33.1   | 48.0   |
| 0- 60  | 2989   | 54.4   | 78.8   |
| 0- 90  | 3532   | 64.2   | 93.1   |
| 90-120 | 170    | 3.1    | 4.5    |
| 90-130 | 205    | 3.7    | 5.4    |
| 90-150 | 249    | 4.5    | 6.6    |
| 90-180 | 263    | 4.8    | 6.9    |
| 0-180  | 3795   | 69.0   | 100.0  |

© 2015 Koninklijke Philips N.V. All rights reserved.  
 Philips reserves the right to make changes in specifications  
 and/or to discontinue any product at any time without notice  
 or obligation and will not be liable for any consequences  
 resulting from the use of this publication.  
[philips.com/luminaires](http://philips.com/luminaires)



Philips Lighting North America Corporation  
 200 Franklin Square Drive, Somerset, NJ 08873  
 Tel. 855-486-2216

Philips Lighting Canada Ltd.  
 281 Hillmount Rd, Markham, ON, Canada L6C 2S3  
 Tel. 800-668-9008