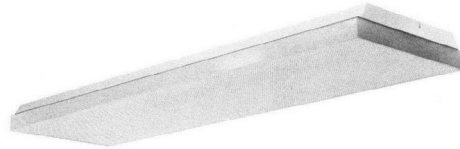


PHILIPS
Day-Brite
CFI

Linear

Dominaire II
wraparound

4', 14" wide, T8



Project: _____
 Location: _____
 Cat.No: _____
 Type: _____
 Lamps: _____ Qty: _____
 Notes: _____

The Philips Day-Brite / Philips CFI Dominaire II wraparound is an excellent lighting solution for illuminating cafeterias, small offices, corridors, kitchens, and family rooms.

Ordering guide

Example: WB4B432UNV-1/4-EB

Family	Length	Width	Lamp quantity/ cross section	Lamp Type (by others)	Voltage	Options
<input type="text" value="WB"/>	<input type="text" value="4"/>	<input type="text" value="B"/>	<input type="text"/>	<input type="text" value="32"/>	<input type="text"/> –	<input type="text"/>
WB Dominaire II wraparound with white body	4 4'	B 14"	2 2 lamps 3* 3 lamps 4 4 lamps *3 lamp models not recommended for stem mounting	32 32WT8	UNV Universal voltage, 120-277V 120 120V 277 277V 347 347V	1/2 One 2-lamp ballast 1/3 One 3-lamp ballast 1/21 2-lamp and 1-lamp ballasts 1/4 One 4-lamp ballast 2/2 Two 2-lamp ballasts EB Electronic ballast, <10% THD EB10R Electronic ballast, program rapid start, <10% THD EBHE Electronic ballast, high efficiency, std. ballast factor EBLHE Electronic ballast, high efficiency, low ballast factor EBHHE Electronic ballast, high efficiency, high ballast factor EBSD Electronic ballast, step dimming, std. (.88) ballast factor EBD7 Advance Mark 7 dimming ballast, 0-10V (low voltage) control EBDX Advance Mark 10 dimming ballast, phase control EBD Electronic dimming ballast, customer specified E1 B100 emerg. ballast, 350-450 lumens, 120/277V E1CAN B100-CAN emerg. ballast, Canada market, 350-450 lumens, 120/347V E7 B60 emerg. ballast, 600-700 lumens, 120/277V E5 B50 emerg. ballast, US or Canada market, 1100-1400 lumens, UNV E5CAN B50-CAN emerg. ballast, Canada market, 1100-1400 lumens, 120/347V E5ST B50ST emerg. ballast w/self test, 1100-1400 lumens, UNV GLR Fusing, fast blow

Accessories (order separately)

Stem and Canopy Sets – suspend luminaire 12", 18", 24", 36", or 48" from surface

- **CS-400** – Rigid canopy
- **CS-500** – 42" top swivel canopy
- **CS-12** – 12" Stem
- **CS-18** – 18" Stem
- **CS-24** – 24" Stem
- **CS-30** – 30" Stem
- **CS-36** – 36" Stem
- **CS-48** – 48" Stem

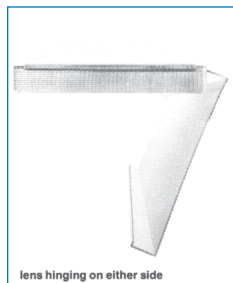
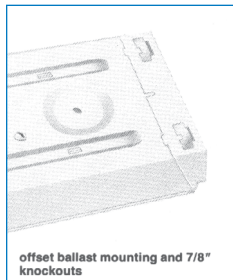
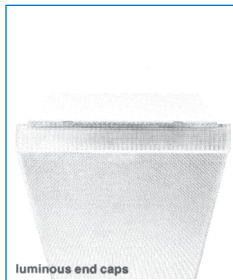
When stem mounting two or four lamp fixtures in continuous rows, units must be coupled with nuts and bolts (by others) at end of fixture. Stem and canopy sets not recommended for three lamp fixtures.

WB Dominaire II wraparound

4', 14" wide, T8

Features

- Step back housing for an apparent depth of 1-1/2".
- Only 3" total depth.
- Prismatic virgin acrylic lens – 14" wide.
- 70.1% efficient (4 lamp), 75.4% efficient (3 lamp)
- Luminous catadioptric end caps.
- Two side self-leveling lens hinging.
- Zip-clip flush mount on T-grid ceilings.
- Off center 7/8" K.O. for flush mount to T-grid ceiling.



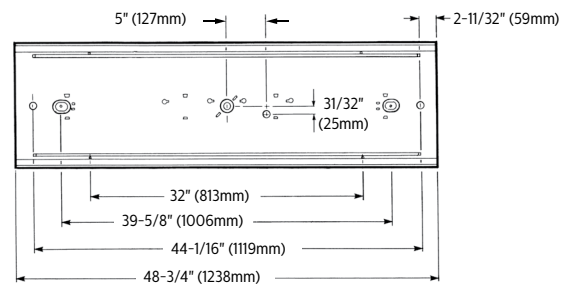
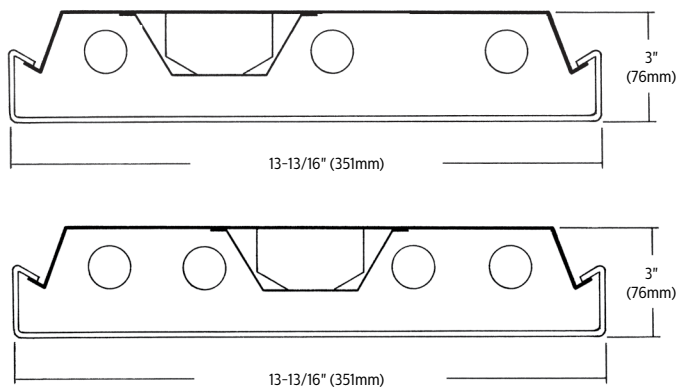
Specifications

- **Materials:** Chassis parts are die-formed code gauge cold rolled steel.
- **Finish:** Chassis exterior—white baked polyester enamel. Cavity—white baked polyester enamel minimum 86% reflectance. Phosphate undercoating.
- **Lens:** One-piece extruded acrylic prismatic bottom and side walls.
- **End Caps:** Injection molded catadioptric end caps separate from lens.
- **Electrical:** Thermally protected class "P" ballast. If K.O. is within 3" of ballast, use wire suitable for at least 90°.
- **Labels:** cULus listed, suitable for damp locations.

Hg

Some luminaires use fluorescent or high intensity discharge (HID) lamps that contain small amounts of mercury. Such lamps are labeled, "Contain Mercury" and/or the symbol "HG". Lamps that contain mercury must be disposed of in accordance with local requirements. Information regarding lamp recycling and disposal can be found at www.lamprecycle.org

Dimensions



© 2015 Koninklijke Philips N.V. All rights reserved.
Philips reserves the right to make changes in specifications and/or to discontinue any product at any time without notice or obligation and will not be liable for any consequences resulting from the use of this publication.
philips.com/luminaires



Philips Lighting North America Corporation
200 Franklin Square Drive, Somerset, NJ 08873
Tel. 855-486-2216

Philips Lighting Canada Ltd.
281 Hillmount Rd, Markham, ON, Canada L6C 2S3
Tel. 800-668-9008