



Linear suspended

Energos

3 lamp T5/HO with lens and Up/Down light reflector



Project: _____
 Location: _____
 Cat.No: _____
 Type: _____
 Lamps: _____ Qty: _____
 Notes: _____

Energos is designed from the inside out to be a highly efficient bidirectional system in choices of either a semi-specular parabolic louver or duplex lens system.

Ordering guide

Example: EG16H03AZ041DEW

Family	Style	Distribution	Lamp type	Lamp qty	Lower optic	Top reflector	Length (ft.)	Wiring	Voltage	Ballast	Color
EG	1	6	<input type="checkbox"/>	03	A	<input type="checkbox"/>	<input type="checkbox"/>	<input type="checkbox"/>	<input type="checkbox"/>	E	<input type="checkbox"/>
EG Energos	1 Standard	6 Direct / Indirect	F T5 H T5HO	03 Three lamps	A Duplex acrylic lens Y 2 down / 1 up kit Z 1 down / 2 up kit	04 Four ft. 08 Eight ft. XX Total run length (4' increments)		1 1 cct. 2 2 cct. 3 1 cct. w/ emergency cct. 4 2 cct. w/ emergency cct. 5 1 cct. w/ battery pack 6 2 cct. w/ battery pack 7 1 cct. w/ dimming	1 120V 2 277V 3 347V D 120-277V ¹	E Standard electronic	W White A Aluminum X Custom color

¹ Not available with Battery pack.

Features

- Housing:** 18 gauge steel. 6" (15.24cm) cast aluminum end caps. No exposed fasteners or hardware.
- Lamping:** 3 T5 or T5HO fluorescent lamps per 4' (121.92cm) section.
- Reflector:** Precision die-formed premium anti-iridescent, highly reflective aluminum.
- Lens:** Clear plastic 5-cell honeycomb lens with linear prismatic bottom surface. Lens curvature matches radius of housing.
- Primarily Indirect Reflector:** Precision die-formed anti-iridescent, highly reflective aluminum. This configuration has 66% of the light reflected up and 33% of the light reflected down.
- Primarily Direct Reflector:** Precision die-formed anti-iridescent, highly reflective aluminum. This configuration has 33% of the light reflected up and 66% of the light reflected down.

Mountings

Consult separate mounting specification sheet for mount type options.

Finish

Powder coated, baked enamel, white or aluminum, as specified. Custom colors available, consult factory.

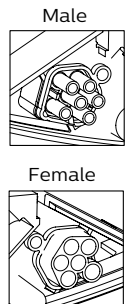
Electrical

All static ballasts have the following features:

- Electronic
- High Power Factor
- Class A sound rating
- Metal can

Emergency Battery Pack: Integral Emergency Battery Pack available, consult factory for options & availability

Connections: Wiring is via 18 gauge wire. All electrical connections for standard configurations are plug-and-play via 6-wire cannon plug connections. Connections are seated in end castings of fixtures, allowing for simultaneous mechanical/ electrical coupling. Connectors are male/female therefore modules must be installed male to female, starting from the power feed end set.



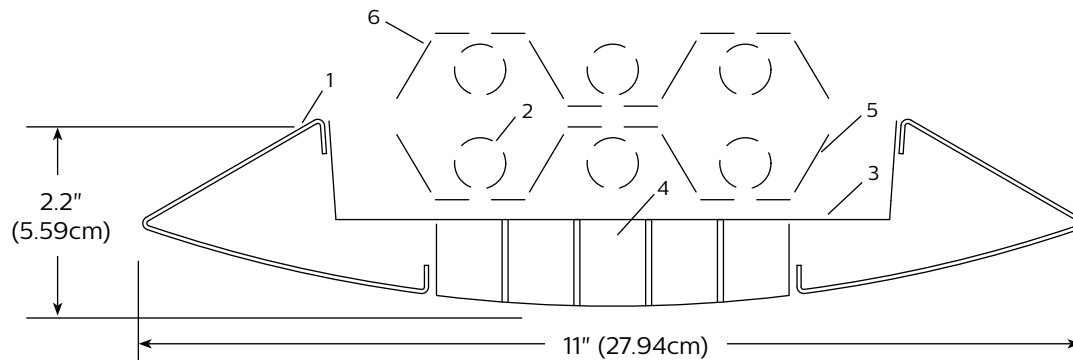
Labels Included

cETLus



EG16F/H03A Energos

3 lamp T5/HO with lens and up/down reflector



Fixture lengths & mounting locations

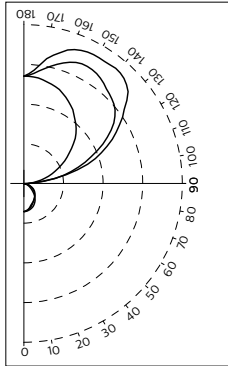
	4' (121.92cm) Run	8' (243.84cm) Run	12' (365.76cm) Run	16' (487.68cm) Run	20' (609.60cm) Run	24' (731.52cm) Run
	<p>48" (121.92cm) module 5' (152.40cm) OA</p>	<p>96" (243.84cm) module 9' (274.32cm) OA</p>	<p>48" (121.92cm) and 96" (243.84cm) modules 13' (396.24cm) OA</p>	<p>96" (243.84cm) and 96" (243.84cm) modules 17' (518.16cm) OA</p>	<p>48" (121.92cm), 96" (243.84cm), and 96" (243.84cm) modules 21' (640.08cm) OA</p>	<p>96" (243.84cm), 96" (243.84cm), and 96" (243.84cm) modules 25' (762.00cm) OA</p>
	4' (121.92cm) Run	8' (243.84cm) Run	12' (365.76cm) Run	16' (487.68cm) Run	20' (609.60cm) Run	24' (731.52cm) Run
	1					
		1				
	1	1	1	1	1	1
		2		2		
	1	2	1	1	2	
		3				2

EG16F/H03A Energos

3 lamp T5/HO with lens and up/down reflector

Three lamp T5HO with 2 Up, 1 Down reflector

Candlepower Curve



Report No.: 9903811
 Lamps: 3-FP54/835/HO
 Lumens: 4500
 Efficiency: 58.4%
 Cat. No.: EG16H03AZ
 25°C Rating

Candlepower

Vertical Angle	Horizontal Angle		
	0	45	90
180	1559	1559	1559
175	1554	1606	1654
165	1494	1793	1968
155	1385	1919	2107
145	1220	1867	2103
135	1030	1739	2030
125	773	1536	1686
115	531	1132	1283
105	299	686	773
95	84	151	125
85	7	10	14
75	34	56	64
65	69	111	125
55	119	164	178
45	189	211	219
35	272	256	256
25	335	301	295
15	377	357	342
5	401	396	391
0	404	404	404

Coefficients of utilization

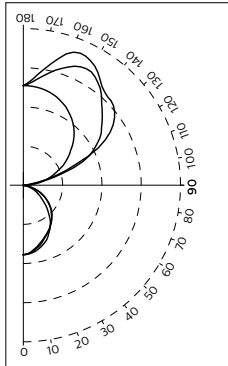
Ceiling	80%			70%			50%		
	70	50	30	70	50	30	50	30	
Wall									
RCR	Zonal cavity method - Effective floor reflectance = 20%								
Room Cavity Ratio	0	57	57	57	50	50	50	36	36
	1	52	50	48	45	43	42	32	31
	2	47	43	40	41	38	35	28	26
	3	43	38	34	38	33	30	24	22
	4	39	34	29	34	29	26	22	19
	5	36	30	25	31	26	22	19	17
	6	33	27	22	29	23	20	17	15
	7	31	24	20	27	21	17	15	13
	8	28	22	17	25	19	15	14	12
	9	26	20	15	23	17	14	13	10
	10	24	18	14	21	16	12	12	9

Light Distribution

Degrees	Lumens	% Lamp	% Luminaire
0-90	934	11.8	6.9
90-180	6950	69.1	51.5
0-180	7884	100.0	58.4

Three lamp T5HO with 1 Up, 2 Down reflector

Candlepower Curve



Report No.: 9903812
 Lamps: 3-FP54/835/HO
 Lumens: 4500
 Efficiency: 34.9%
 Cat. No.: EG16H03AY
 25°C Rating

Candlepower

Vertical Angle	Horizontal Angle		
	0	45	90
180	800	800	800
175	798	834	855
165	776	956	1053
155	726	1049	1143
145	653	1005	1035
135	555	861	959
125	437	735	846
115	312	561	553
105	189	239	193
95	62	14	12
85	8	14	14
75	47	76	77
65	103	153	161
55	170	235	241
45	263	309	316
35	368	376	371
25	454	433	429
15	515	499	485
5	551	547	545
0	556	556	556

Coefficients of utilization

Ceiling	80%			70%			50%		
	70	50	30	70	50	30	50	30	
Wall									
RCR	Zonal cavity method - Effective floor reflectance = 20%								
Room Cavity Ratio	0	36	36	36	32	32	32	25	25
	1	32	31	30	29	28	27	22	21
	2	29	27	25	26	24	23	19	18
	3	27	24	21	24	21	19	17	15
	4	25	21	18	22	19	17	15	13
	5	23	19	16	20	17	14	13	12
	6	21	17	14	18	15	13	12	10
	7	19	15	12	17	14	11	11	9
	8	18	14	11	16	12	10	10	8
	9	16	12	10	15	11	9	9	7
	10	15	11	9	14	10	8	8	7

Light Distribution

Degrees	Lumens	% Lamp	% Luminaire
0-90	1317	28.0	9.8
90-180	3389	72.0	25.1
0-180	9370	100.0	34.9

© 2014 Koninklijke Philips N.V. All rights reserved.
 Philips reserves the right to make changes in specifications and/or to discontinue any product at any time without notice or obligation and will not be liable for any consequences resulting from the use of this publication.
philips.com/luminaires



Philips Lighting, North America Corporation
 200 Franklin Square Drive, Somerset, NJ 08873
 Tel. 855-486-2216

Imported by: Philips Lighting,
 A division of Philips Electronics Ltd.
 281 Hillmount Rd, Markham, ON, Canada L6C 2S3
 Tel. 800-668-9008