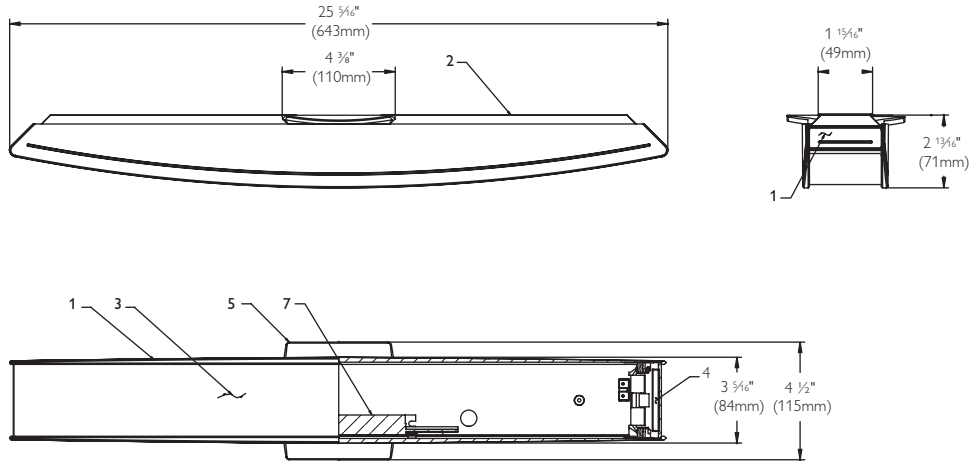


FB3114E

Architectural Decorative, Brisa Linear Bow wall/ceiling mount T-5 fluorescent ADA

Page 1 of 2



Fixture ordering information (single lamp)

Catalog number	Description	Finish	Wattage	Lamp	Volts
FB3114E1	Linear Bow surface mount	Satin aluminum	14W	(1) T5	120
FB3114E2	Linear Bow surface mount	Satin aluminum	14W	(1) T5	277V

Diffuser ordering information

Catalog number	Description	Finish	Dimensions (nominal)
FBA3	Acrylic Bow diffuser	Opal	3" x 24"
FBG3	Glass Bow diffuser	Opal	3" x 24"

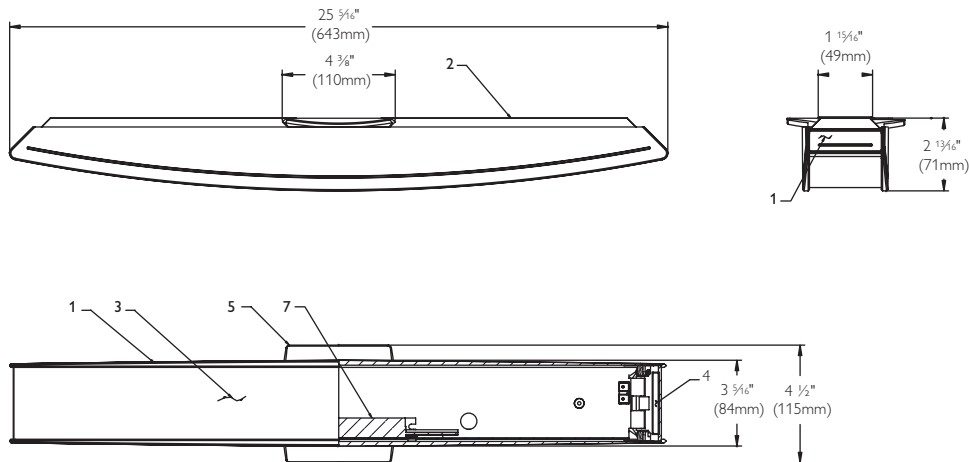
Job Information	Type:
Job Name:	
Cat. No.:	
Notes:	

PHILIPS
LIGHTOLIER

FB3114E

Architectural Decorative, Brisa Linear Bow wall/ceiling mount T-5 fluorescent ADA

Page 2 of 2



Features

- Housing sides and ends:** Die-cast aluminum.
- Back pan:** Stamped 18ga. (0.048") sheet metal.
- Diffuser:** Bowed opal glass or opal acrylic
- Optics:** Internal white acrylic diffuser covers slots on housing sides and ends.
- J-Box covers:** Die-cast split covers to enclose 4" octagonal J-Box (J-Box by others).
- Fixture mounting plate:** Stamped 18ga. (0.048") sheet metal.

Mounting

Fixture mounts directly to 4" octagonal junction box. Octagonal junction box mounting requires use of "J-Box Covers" and "Fixture Mounting Plate" supplied standard.

Electrical

7. **Ballast:** Electronic 120V & 277V

Voltage	120V	277V
Total input watts	19W	19W
Max. line current (amps)	0.16A	0.09A
Power factor	0.98	0.98
THD	<20%	<20%
Min. starting temp	0°F, -18°C	0°F, -18°C

Luminaire-ballast disconnect: Meets NEC 410.130(G) and CEC disconnect requirements.

Lampholders

Fluorescent: Mini Bi-Pin, G5 Base

Lamping (by others)

General Electric	Osram/Sylvania	Philips
(1) 14W T5 Linear fluorescent		
F14W/T5/*/ECO	FP14/*	F14T5/*/ALTO

*Manufacturers' color temperature designation

Labels

cULus Listed. Suitable for damp locations.



Philips Lightolier
 e: lol.webmaster@philips.com
 t: (508) 679-8131
 w: www.lightolier.com

FB3114E March 7, 2012

Specifications are subject to change without notice.
 © Koninklijke Philips Electronics N.V., 2010. All rights reserved.

Job Information	Type:
------------------------	--------------