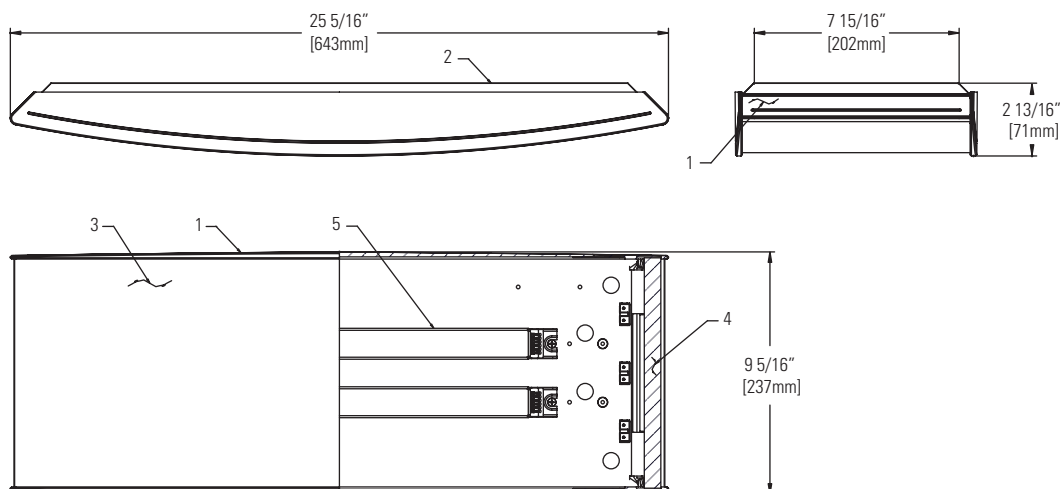


# LIGHTOLIER® Brisa™ Linear Bow Surface Mount **FB9314U**

Page 1 of 1

Wall/Ceiling Mounted T5 Fluorescent ADA Compliant



## Fixture Ordering Information

Catalog No.	Description	Finish	Wattage	Volts	Lamp
<b>FB9314U</b>	Linear Bow Surface Mount	Satin aluminum	14W	120-277V	(3) T5
<b>FB9314UEM</b>	Linear Bow Surface Mount w/Emergency	Satin aluminum	14W	120-277V	(3) T5

## Diffuser Ordering Information

Catalog No.	Description	Finish	Dimensions (Nominal)
<b>FBA9</b>	Acrylic Bow Diffuser	Opal	9" X 24"
<b>FBG9</b>	Glass Bow Diffuser	Opal	9" X 24"

## Features

- Housing Sides and ends:** Die-cast aluminum.
- Back Pan:** Stamped 18ga. (0.048") sheet metal.
- Diffuser:** Bowed opal glass or opal acrylic
- Optics:** Internal white acrylic diffuser covers slots on housing sides and ends.

## Mounting

Fixture Mounts directly to 4" octagonal junction box.

## Electrical

- Ballast-Fixture:** Has (1) 1-lamp ballast and (1) 2-lamp ballast, allowing for separate switching.

A. Electronic 120V-277V	1 Lamp		2 Lamp	
Voltage	120V	277V	120V	277V
Total Input Watts	19W	19W	34W	34W
Max. Line Current (Amps)	0.16A	0.07A	0.29A	0.13A
Power Factor	>0.98	>0.98	>0.98	>0.90
THD	<20%	<20%	<10%	<10%
Min. Starting Temp	0°F,	-18°C	0°F,	-18°C

## B. Emergency (1-lamp fixture only)

Bodine LP550 emergency battery pack with integral test light and switch.

- Luminaire-Ballast Disconnect:** Meets NEC 410.130(G) and CEC Disconnect Requirements.

## Lampholders

Fluorescent: Mini Bi-Pin, G5 Base

## Lamping (by others)

General Electric	Osram/Sylvania	Philips
(1) 14W T5 Linear Fluorescent		
F14W/T5/*/ECO	FP14/*	F14T5/*/ALTO
*Manufactures Color Temperature Designation		

## Finish

Satin Aluminum

## Labels

cULus Listed. Suitable for Damp Locations.

ULus Listed, Suitable for Dry Locations for Emergency Units only.

Job Information	Type:
<b>Job Name:</b>	
<b>Cat. No.:</b>	
<b>Lamp(s):</b>	
<b>Notes:</b>	

631 Airport Road, Fall River, MA 02720 • (508) 679-8131 • Fax (508) 674-4710  
 We reserve the right to change details of design, materials and finish.  
 www.lightolier.com © 2009 Philips Group • B0209