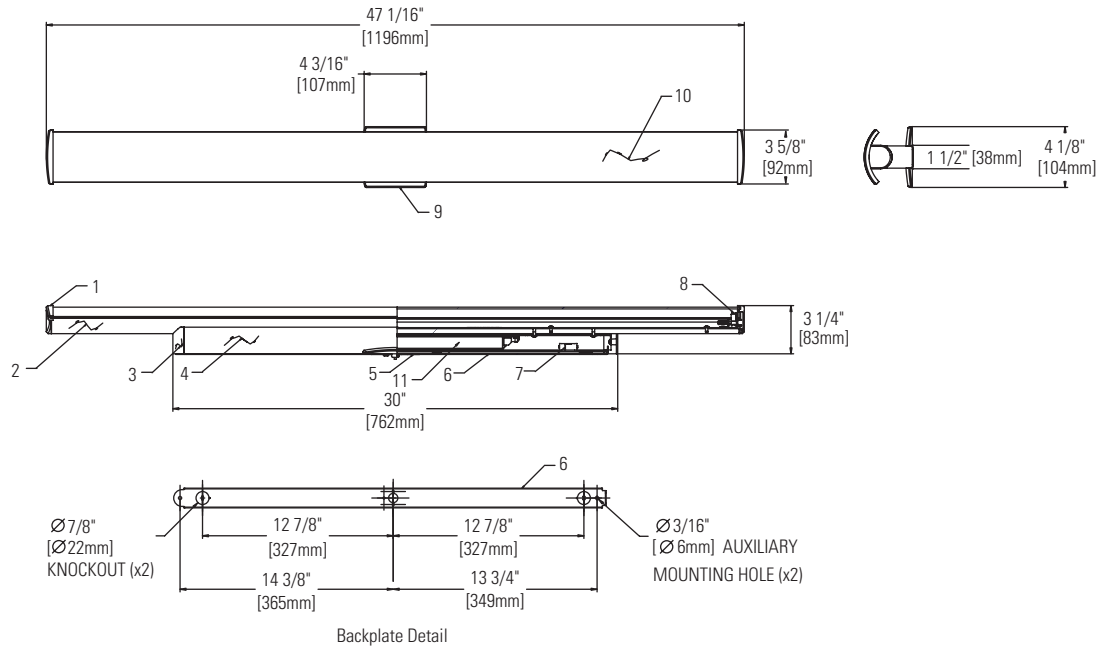


LIGHTOLIER® Brisa™ Linear Curve Surface Mount **FC28U**

Page 1 of 2

Wall/Ceiling Mounted T5 Fluorescent ADA Compliant



Fixture Ordering Information

Catalog No.	Description	Finish	Wattage	Volts	Lamp
FC28U	Linear Curve Surface Mount	Satin aluminum	28W	120-277V	(1) T5

Diffuser Ordering Information

Catalog No.	Description	Finish	Dimensions (Nominal)
FCA3	Acrylic Curve Diffuser	Opal	4" X 48"
FCG3	Glass Curve Diffuser	Cased Opal (Sandblasted Outside Surface)	4" X 48"

Features

- Diffuser Holder:** (2) Die-cast aluminum. One stationary and one spring loaded for ease of diffuser removal and lamping.
- Lamp Housing:** Extruded aluminum.
- Ballast Housing:** (2) Die-cast aluminum.
- Junction Box Mounting Plate:** 18ga. C.R.S zinc plated. For mounting to standard 4" octagonal junction box. Not required for conduit mounted installations.
- Backplate:** 18ga. C.R.S. zinc plated. Provided with (2) 7/8" diameter conduit knockouts (for non junction box installation) and (2) 3/16" diameter mounting holes for direct mounting to wall or ceiling surface (hardware not provided).
- Luminaire Ballast Disconnect:** Meets NEC 410.130 (G) and CEC disconnect requirements
- Lampholder:** Fluorescent- Mini Bi-Pin, G5 Base
- Junction Box Cover:** (2) Die-cast aluminum with integral spring clip for easy snap-on installation (provided with luminaire). Not required for conduit mounted installation.
- Diffuser:** Either 3mm curved opal acrylic or opal glass.

Electrical

11. Ballast

A. Ballast (Electronic 120-277V)		
Voltage	120V	277V
Total Input Watts	33W	33W
Max. Line Current (Amps)	0.28A	0.12A
Power Factor	0.98	0.98
THD	<10%	<10%
Min. Starting Temp	0°F, -18°C	0°F, -18°C

Lamping (by others)

General Electric	Osram/Sylvania	Philips
(1) 28W T5 Linear Fluorescent		
F28W/T5/*/ECO	FP28/*	F28T5/*/ALTO
*Manufactures Color Temperature Designation		

Finish

Satin Aluminum

Labels

cULus Listed. Suitable for Damp Locations.

Job Information

Type:

Job Name:

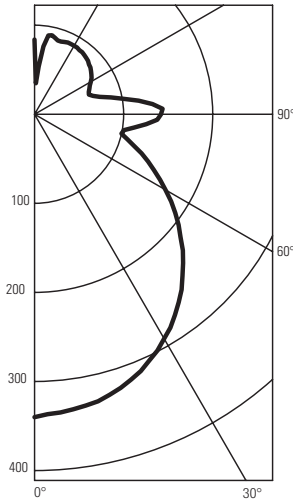
Cat. No.:

Lamp(s):

Notes:

631 Airport Road, Fall River, MA 02720 • (508) 679-8131 • Fax (508) 674-4710
 We reserve the right to change details of design, materials and finish.
 www.lightolier.com © 2009 Philips Group • B0309

FC28U/FCA3



DECORATIVE LUMINAIRE CAT. # FC28U/FCA3 28W
 SYLVANIA T-5 LAMPS. LUMEN RATING = 2610 LMS.
 BALLAST/ ADVANCE ICN-2S28

Candlepower Summary

Angle	Along	22.5	45	67.5	Across	Output Lumens
0	340	340	340	340	340	
5	341	340	338	338	336	32
15	330	329	327	328	326	93
25	309	308	308	308	305	142
35	277	277	276	277	275	173
45	236	236	236	238	236	183
55	186	186	189	193	193	169
65	129	130	138	146	148	137
75	69	74	89	103	108	96
85	18	35	73	110	126	80
90	7	28	80	123	142	
95	21	26	74	116	133	77
105	45	30	46	66	76	56
115	60	45	57	64	68	57
125	61	59	67	75	78	61
135	69	67	76	82	85	58
145	78	69	80	87	88	50
155	70	65	69	86	89	35
165	76	71	64	72	89	21
175	104	99	90	66	54	8
180	84	84	84	84	84	

Coefficients of Utilization

Ceiling	80%				70%				50%				30%				10%				
Wall	70	50	30	10	70	50	30	10	50	30	10	50	30	10	50	30	10	50	30	10	0
RCR	Zonal Cavity Method - Effective Floor Reflectance = 20%																				
0	.66	.66	.66	.66	.62	.62	.62	.62	.56	.56	.56	.50	.50	.50	.45	.45	.45	.42			
1	.59	.57	.54	.52	.56	.54	.51	.49	.48	.46	.45	.43	.42	.40	.39	.37	.37	.34			
2	.54	.49	.45	.42	.51	.47	.43	.40	.42	.39	.37	.38	.35	.33	.34	.32	.30	.28			
3	.49	.43	.39	.35	.46	.41	.37	.34	.37	.34	.31	.33	.31	.28	.30	.28	.26	.24			
4	.45	.38	.33	.29	.43	.36	.32	.28	.33	.29	.26	.30	.27	.24	.27	.24	.22	.20			
5	.41	.34	.29	.25	.39	.32	.27	.24	.29	.25	.22	.26	.23	.21	.24	.21	.19	.17			
6	.38	.30	.25	.21	.36	.29	.24	.21	.26	.22	.19	.24	.20	.18	.21	.18	.16	.15			
7	.35	.27	.22	.19	.33	.26	.21	.18	.23	.19	.17	.21	.18	.15	.19	.16	.14	.13			
8	.32	.24	.19	.16	.30	.23	.19	.15	.21	.17	.14	.19	.16	.13	.17	.14	.12	.11			
9	.30	.22	.17	.14	.28	.21	.16	.13	.19	.15	.12	.17	.14	.12	.16	.13	.11	.09			
10	.27	.20	.15	.12	.26	.19	.15	.12	.17	.14	.11	.16	.12	.10	.14	.11	.09	.08			

Determined In Accordance With Current IES Published Procedures
 Luminaire Input Watts = 34.0

Zonal Lumens and Percentages

Zone	Lumens	% Lamp	%Luminaire
0-30	267	10.24	17.50
0-40	440	16.88	28.86
0-60	792	30.37	51.92
0-90	1105	42.34	72.38
40-90	664	25.46	43.52
60-90	312	11.97	20.46
90-180	421	16.16	27.62
0-180	1527	58.51	100.00

Certified Test Report no. 3649FR
 Computed by LSI Program **TEST-LITE**
 SC= 1.3
 Prepared For:
 Lightolier
 Fall River, MA

** Efficiency = 58.5%**

TESTED ACCORDING TO IES PROCEDURES. TEST DISTANCE EXCEEDS FIVE TIMES THE GREATEST LUMINOUS OPENING OF LUMINAIRE.

Job Information **Type:**

631 Airport Road, Fall River, MA 02720 • (508) 679-8131 • Fax (508) 674-4710
 We reserve the right to change details of design, materials and finish.
 www.lightolier.com © 2009 Philips Group • B0309