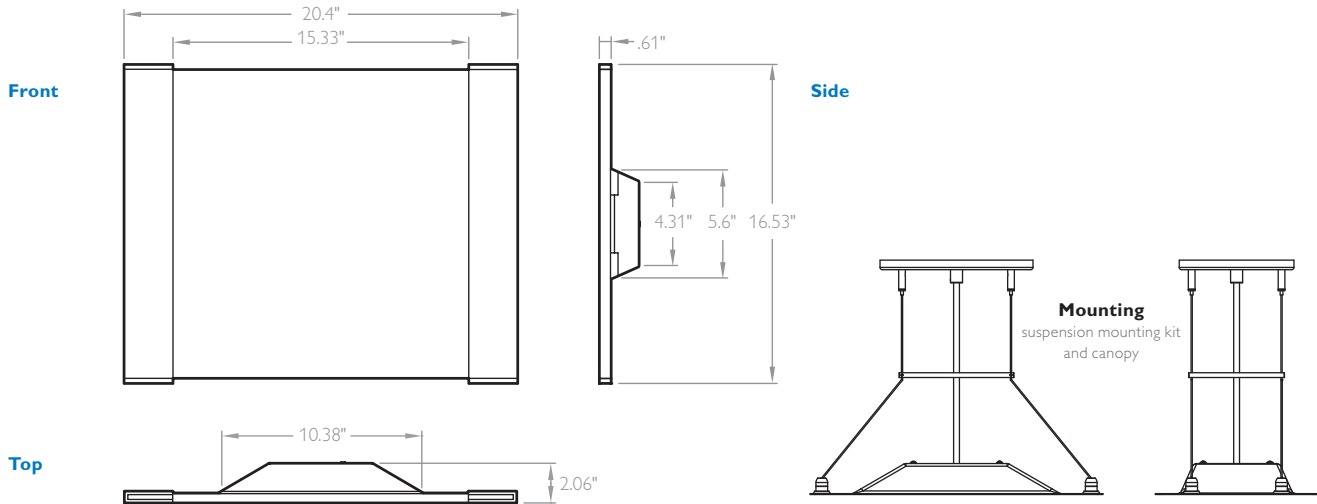


Project:	Catalog No:	Mfg:
Location:	Fixture Type:	Qty:
Notes:		Lamps:



Ordering information

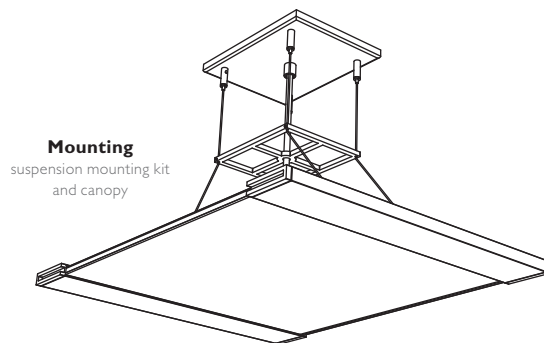
example: FL16S30UFLS01

FL16	S		U	
Series	Finish	CCT	Voltage	Mounting ¹
FL16 Flat Panel LED	S Satin aluminum	30 3000K 35 3500K	U Universal 120V/277V	FLS01 Optional suspension mounting kit and canopy for surface mounting Flat Panel LED fixture. Adjustable edge-to-edge or corner-to-corner with mounting heights from 0" to 120"

1. Option available with either CCT configuration (separate SKU).

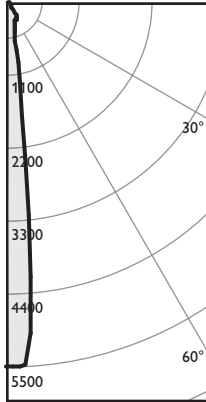
Features

- Ceiling or wall mount applicable
- Efficacy: 40 lumens per watt (+/- 8%)
- Available in 3000K and 3500K
- CRI in the high 80's
- 30W/1500 lumens
- Uses Edge Lit White LED technology to allow for minimal glare and optimum output
- ADA compliant (J-Box mounting)
- Dimmable: 0-10V
- Aircraft cable suspension mounting kit optional as alternate application
- 50,000 hour rated life (L70)
- 5 year warranty



27W, 1019lms, 3500K

Candella Curves



Trim: FL16S35U

Report no ¹ :	119GFR	0	356	
Output lumens:	1019 lms	5	354	34
CCT ¹ :	3500K	10	350	
Input watts ² :	27.6 W	15	342	96
Efficacy:	36.9 lm/w	20	332	
CRI ¹ :	0 min	25	317	146
Spacing Crit.:	1.3	30	300	
		35	282	176
		40	261	
		45	237	183
		50	212	
		55	186	166
		60	158	
		65	128	126
		70	98	
		75	68	72
		80	40	
		85	17	20
		90	0	

Zonal lumens & percentages

Zone	Lumens	%Luminaire	
0-30	277	27.14	
0-40	452	44.14	
0-60	801	78.63	
0-90	1019	100	

Luminance Summary

Angle	Mean CD/SQ M
45	2175
55	2101
65	1959
75	1696
85	1256

Tested using absolute photometry as specified in LM79: IESNA Approved Method for the Electrical and Photometric Measurements of Solid-State Lighting Products.

