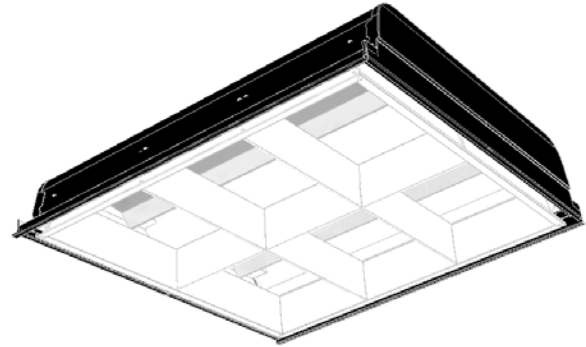
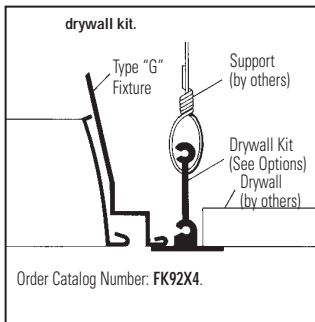
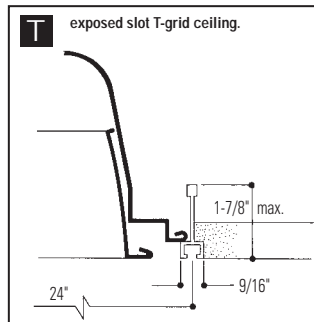
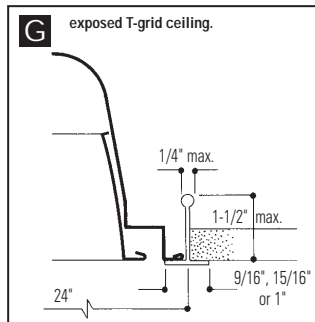


## 2' x 2' Recessed Fluorescent, High Performance Louver Static or Air Supply/Return, 2 Lamp T8 or 2U

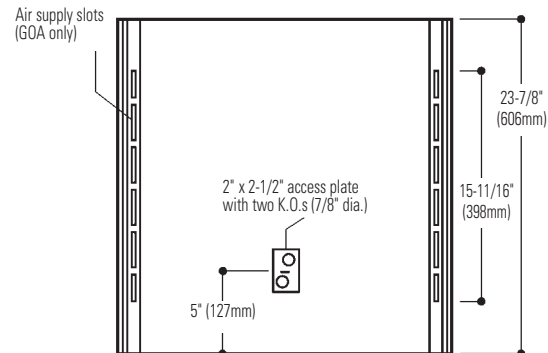
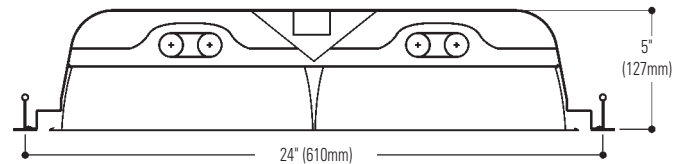
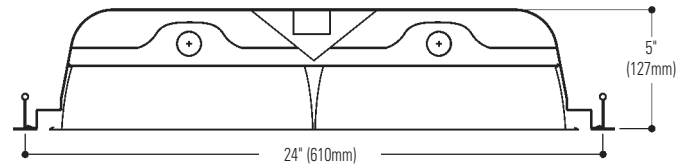
- G02 evenly illuminates horizontal and vertical surfaces and is low in brightness.
- 80.5% efficient with a 1.7 space mounting ratio (2 T8 lamps)
- 79.5% efficient with a 1.6 space mounting ratio (2 T8U lamps)
- 94% reflective flat white powder coated louver.
- 94% reflectance Miro™ reflector system.
- 5" deep body.
- One piece housing.
- Black exterior for cooler ballast operating temperature.
- Built-in earthquake clips.
- Spring loaded latches.
- 18 gauge steel hinges.
- Construction to meet NYC Code or Chicago Plenum requirements is available.
- Manufactured in USA



### Mounting Methods



### Dimensions



### Job Information

### Type:

**Job Name:**

**Cat. No.:**

**Lamp(s):**

**Volts/Ballast:**

For Factory Technical Information: (978) 657-7600 • Fax (978) 658-0595  
631 Airport Road, Fall River, MA 02720 • (508) 679-8131 • Fax (508) 674-4710  
We reserve the right to change details of design, materials and finish.  
www.lightolier.com © 2008 a Philips Group

05/08

Section 1/Folio A10-15

## 2' x 2' Recessed Fluorescent, High Performance Louver Static or Air Supply/Return, 2 Lamp T8 or 2U

### Model No. GOS2G217UNVC2

LER = FP - 65.5 IW - 30.28 BF - 0.88  
Comparative yearly lighting energy cost per  
1000 lumens = \$3.66

Report Number: G2008145  
Catalog Number: GOS2G217UNVC2  
Lamp: (2) F17/TL835/ALTO/PLUS  
Luminaire: G02 2'X2' with 6 cell louver.  
Ballast: Advance IOP-2P-32-SC  
Report is based on 1400 Lumens per lamp.  
Efficiency: 80.5%  
CIE Type-Direct-Indirect  
Plane: 0-Deg 90-Deg  
Spacing Criteria: 1.2 1.7  
Shielding Angles: 90 90  
Plane: 0-Deg 90-Deg  
Luminous Length: 21.000 21.000

#### CANDELA DISTRIBUTION

	0.0	45.0	90.0	FLUX
0	755	755	755	
5	761	765	768	73
15	719	825	950	236
25	640	915	1094	408
35	536	857	979	503
45	403	663	657	466
55	271	383	283	307
65	157	153	106	149
75	80	86	75	85
85	22	24	21	26
90	3	3	2	

#### ZONAL LUMEN SUMMARY

ZONE	LUMENS	% LAMP	% FIXT
0- 30	717	25.6	31.8
0- 40	1220	43.6	54.2
0- 60	1993	71.2	88.4
0- 90	2253	80.5	100.0
90-180	0	0.0	0.0
0-180	2253	80.5	100.0

#### COEFFICIENTS OF UTILIZATION - ZONAL CAVITY METHOD, EFFECTIVE FLOOR CAVITY REFLECTANCE 0.20

RC	80	50	30	10
RW 70	85	82	78	76
1	89	85	82	78
2	82	76	71	68
3	75	67	61	59
4	69	60	52	48
5	64	54	47	42
6	59	49	42	37
7	55	45	38	33
8	51	41	34	29
9	48	37	31	26
10	45	34	28	24

#### LUMINANCE DATA IN CANDELA/SQ. METER

AVERAGE IN DEG.	AVERAGE 0-DEG.	AVERAGE 45-DEG.	AVERAGE 90-DEG.
45	2002.	3294.	3265.
55	1660.	2346.	1734.
65	1305.	1272.	881.
75	1086.	1167.	1018.
85	887.	968.	847.

### Model No. GOS2G22UUNVC5

LER = FP - 73.9 IW - 46.0 BF - 0.77  
Comparative yearly lighting energy cost per  
1000 lumens = \$3.25?

Report Number: G2008126  
Catalog Number: GOS2G22UUNVC5  
Lamp: (2) FBO/835XP/ECO  
Luminaire: G02 2'X2' with 6 cell louver.  
Ballast: Advance IOP-2P-32-LW-SC  
Report is based on 2775 Lumens per lamp.  
Efficiency: 79.5%  
CIE Type-Direct-Indirect  
Plane: 0-Deg 90-Deg  
Spacing Criteria: 1.1 1.6  
Shielding Angles: 90 90  
Plane: 0-Deg 90-Deg  
Luminous Length: 21.000 21.000

#### CANDELA DISTRIBUTION

	0.0	45.0	90.0	FLUX
0	1646	1646	1646	
5	1644	1691	1720	162
15	1528	1721	1814	481
25	1341	1628	1864	750
35	1111	1477	1833	925
45	838	1239	1355	899
55	561	779	775	651
65	322	359	202	318
75	165	172	156	174
85	46	47	47	53
90	8	7	4	

#### COEFFICIENTS OF UTILIZATION - ZONAL CAVITY METHOD, EFFECTIVE FLOOR CAVITY REFLECTANCE 0.20

RC	80	50	30	10
RW 70	84	81	79	77
1	88	84	81	79
2	80	75	70	66
3	74	66	60	58
4	68	59	53	51
5	63	53	47	45
6	58	48	41	40
7	54	44	37	36
8	50	40	34	33
9	47	37	30	26
10	44	34	28	24

#### ZONAL LUMEN SUMMARY

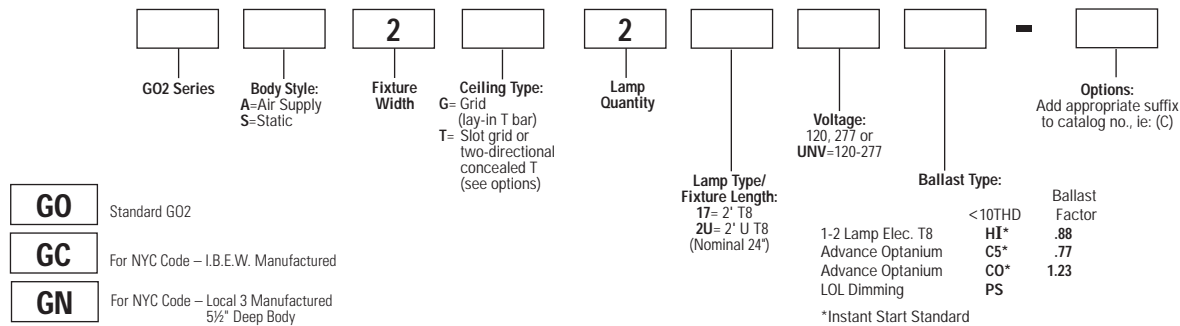
ZONE	LUMENS	% LAMP	% FIXT
0- 30	1391	25.1	31.6
0- 40	2317	41.8	52.5
0- 60	3867	69.7	87.7
0- 90	4411	79.5	100.0
90-180	0	0.0	0.0
0-180	4411	79.5	100.0

#### LUMINANCE DATA IN CANDELA/SQ. METER

AVERAGE IN DEG.	AVERAGE 0-DEG.	AVERAGE 45-DEG.	AVERAGE 90-DEG.
45	4164.	6156.	6733.
55	3436.	4772.	4747.
65	2677.	2985.	1679.
75	2240.	2335.	2118.
85	1854.	1895.	1895.

## Ordering Information

Explanation of Catalog Number. Example: GOS2G22UUNVC5



## Options/Accessories

Plaster Frame: Catalog Number: PF22

Radio Interference Filter: To order one RIF per fixture; SUFFIX: R.  
To order one RIF per ballast; SUFFIX: B.

Fusing: Internal fast-blow fusing. SUFFIX A. Internal slow-blow fusing. SUFFIX C.

Electrical Wiring Options: Consult factory.

Air Closure Strip: SUFFIX: ACS4 (factory installed).

Drywall Kit: Order Catalog Number: FK92X2. (Request Folio OA30-10 Rev. A).

Chicago Plenum: SUFFIX: C.

## Specifications

Performance: In an installation of 2 lamp T8U luminaires in a room cavity ratio of 1, reflectance 80% ceiling, 50% wall, 20% floor, the C.U. shall not be less than .84.

Air Handling (GOA only) side air passages for air supply or air return. Optional side closure strips. Air return is also provided through the lamp compartment through fixture body ends.

## Specifications (continued)

Materials: Chassis parts are die-formed gauge cold rolled steel. Side rails hemmed over and housing ends turned-in for safe handling. Reflector is 94% reflective aluminum.

Finish: Chassis exterior—black baked polyester enamel. Cavity—white baked polyester enamel. Rust preventative undercoating. Louver—94% reflective flat white powder coat.

Electrical: Thermally protected class "P" ballast C.B.M. approved, non PCB. If K.O. is within 3" of ballast, use wire suitable for at least 90°.

Labels: I.B.E.W. UL and ULc Listed.

This product may have a mercury containing lamp.

Manage in accord with Disposal Laws. See: www.lamprecycle.org

## Job Information

## Type:

For Factory Technical Information: (978) 657-7600 • Fax (978) 658-0595  
631 Airport Road, Fall River, MA 02720 • (508) 679-8131 • Fax (508) 674-4710  
We reserve the right to change details of design, materials and finish.

www.lightolier.com © 2008 a Philips Group

Section 1/Folio A10-15