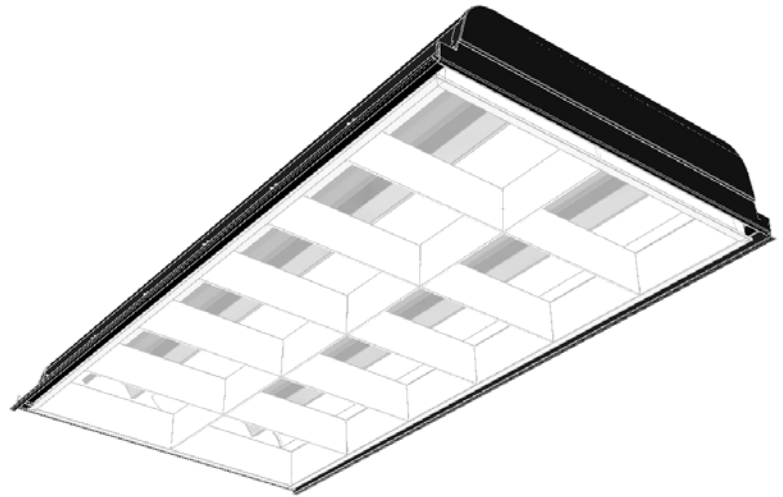
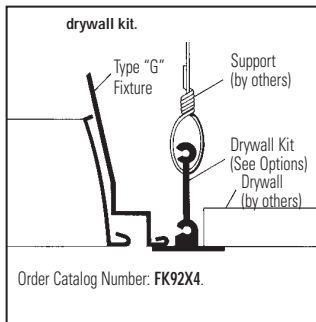
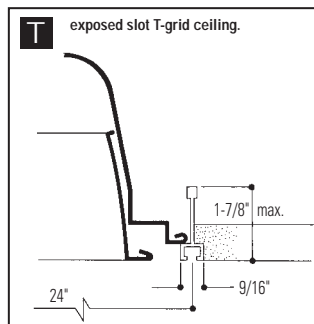
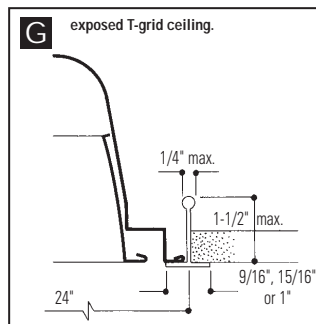


2' x 4' Recessed Fluorescent, High Performance Louver Static or Air Supply/Return, 2 Lamp T8

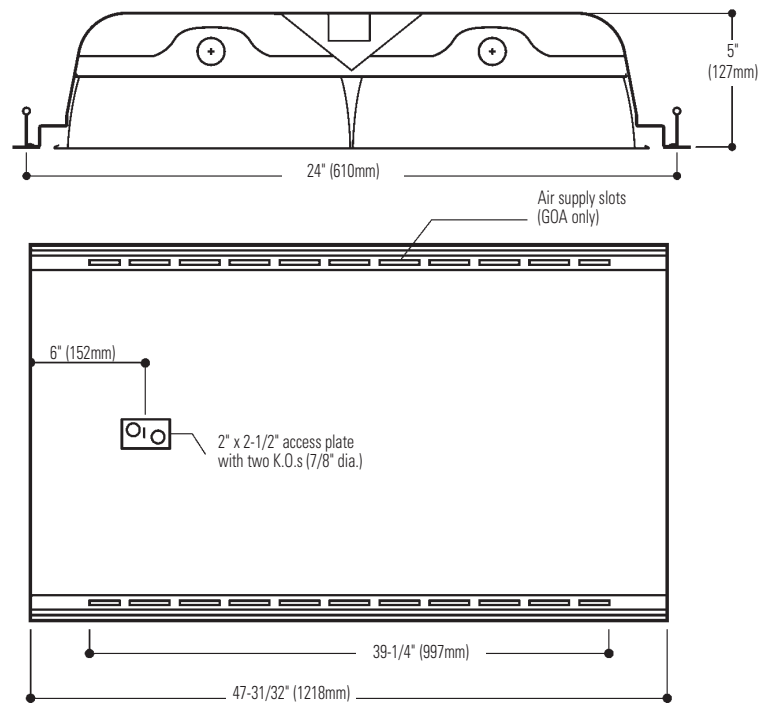
- G02 evenly illuminates horizontal and vertical surfaces and is low in brightness.
- Can provide 51 maintained footcandles at only .58 watts per square foot.
- Produces a minimum 72 VCP.
- 85.9% efficient.
- 1.7 space mounting ratio.
- 94% reflective flat white powder coated louver.
- 94% reflectance Miro™ reflector system.
- 5" deep body.
- One piece housing.
- Black exterior for cooler ballast operating temperature.
- Built-in earthquake clips.
- Spring loaded latches.
- 18 gauge steel hinges.
- Construction to meet NYC Code or Chicago Plenum requirements is available.
- Manufactured in USA



Mounting Methods



Dimensions



Job Information

Type:

Job Name:

Cat. No.:

Lamp(s):

Volts/Ballast:

For Factory Technical Information: (978) 657-7600 • Fax (978) 658-0595
631 Airport Road, Fall River, MA 02720 • (508) 679-8131 • Fax (508) 674-4710
We reserve the right to change details of design, materials and finish.
www.lightolier.com © 2008 a Philips Group

05/08

Section 1/Folio A10-10

2' x 4' Recessed Fluorescent, High Performance Louver Static or Air Supply/Return, 2 Lamp T8

Model No. GOS2G232UNVC5

LER = FP - 81.1 IW - 51.22 BF - 0.78
Comparative yearly lighting energy cost per
1000 lumens = \$2.96

Report Number: G2008092
Catalog Number: GOS2G232UNVC5
Lamp: (2) F32T8/841 Alto Advantage
Luminaire: G02 2'X4' with 12 cell louver.
Ballast: Advance IOP-2P32-LW-SC
Report is based on 3100 Lumens per lamp.
Efficiency: 85.9%

CIE Type-Direct-Indirect
Plane: 0-Deg 90-Deg
Spacing Criteria: 1.2 1.7
Shielding Angles: 90 90
Plane: 0-Deg 90-Deg
Luminous Length: 45.960 21.960

CANDELA DISTRIBUTION

	0.0	45.0	90.0	FLUX
0	1780	1780	1780	
5	1785	1798	1822	173
15	1686	1966	2263	559
25	1507	2148	2505	952
35	1275	1990	2228	1169
45	978	1550	1606	1117
55	677	976	643	753
65	389	357	236	358
75	184	186	167	190
85	51	50	47	56
90	7	7	5	

COEFFICIENTS OF UTILIZATION - ZONAL CAVITY METHOD. EFFECTIVE FLOOR CAVITY REFLECTANCE 0.20

RC	80	50	30	10	50	30	10
RW	70	50	30	10	50	30	10
1	95	91	88	86	83	81	82
2	87	81	76	76	72	69	73
3	80	72	66	68	63	59	66
4	74	64	57	61	55	51	59
5	68	58	51	55	49	45	53
6	63	52	45	50	44	39	49
7	58	47	40	46	39	35	44
8	54	43	36	42	36	31	41
9	51	40	33	38	32	28	37
10	48	37	30	35	30	26	35

TYPICAL V.C.P.'s

Mounting Height 9' Ceiling 50 Footcandles				
Room Size	North	East	South	West
30x30	81	82	87	86
40x40	77	80	82	87
60x30	83	77	90	83
60x60	73	75	80	84
100x100	72	73	77	78

LUMINANCE DATA IN CANDELA/SQ. METER

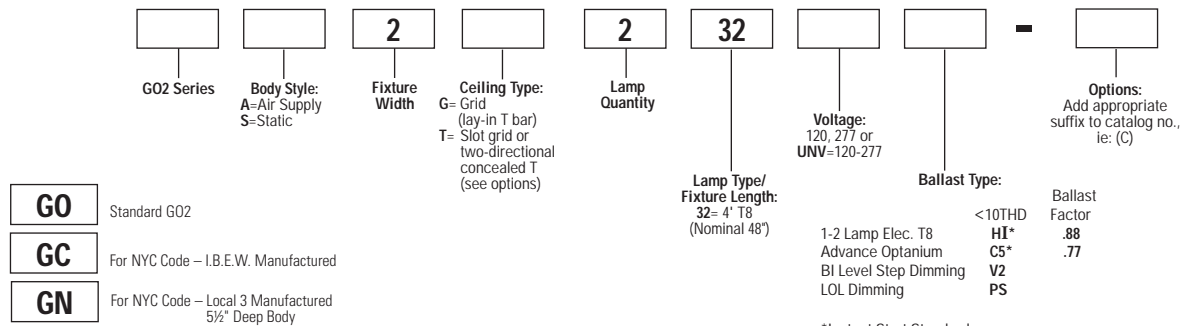
AVERAGE IN DEG.	AVERAGE 0-DEG.	AVERAGE 45-DEG.	AVERAGE 90-DEG.
45	2123.	3376.	3487.
55	1812.	2612.	1721.
65	1413.	1297.	857.
75	1091.	1103.	991.
85	898.	881.	828.

ZONAL LUMEN SUMMARY

ZONE	LUMENS	% LAMP	% FIXT
0- 30	1695	27.2	31.6
0- 40	2854	46.0	53.6
0- 60	4724	76.2	88.7
0- 90	5329	85.9	100.0
90-180	0	0.0	0.0
0-180	5329	85.9	100.0

Ordering Information

Explanation of Catalog Number. Example: GOS2G232UNVC5



Options/Accessories

Plaster Frame: Catalog Number: PF24.
Radio Interference Filter: To order one RIF per fixture; SUFFIX: R.
To order one RIF per ballast; SUFFIX: B.
Fusing: Internal fast-blow fusing. SUFFIX: A. Internal slow-blow fusing. SUFFIX: C.
Electrical Wiring Options: Consult factory.
Air Closure Strip: SUFFIX: ACS4 (factory installed).
Drywall Kit: Order Catalog Number: FK92X4. (Request Folio OA30-10 Rev. A).
Chicago Plenum: SUFFIX: C.

Specifications

Performance: In an installation of 2 lamp 32W luminaires in a room cavity ratio of 1, reflectance 80% ceiling, 50% wall, 20% floor, the C.U. shall not be less than .91. To prevent glare the VCP shall be not less than 72 either lengthwise or crosswise and the average brightness at 65° shall not exceed 1413 candelas per square meter. To control veiling reflections, luminaire output in the 30°-90° zone shall not be less than 68.4%.
Air Handling (GOA only) side air passages for air supply or air return. Optional side closure strips. Air return is also provided through the lamp compartment through fixture body ends.

Specifications (continued)

Materials: Chassis parts are die-formed gauge cold rolled steel. Side rails hemmed over and housing ends turned-in for safe handling. Reflector is 94% reflective aluminum.
Finish: Chassis exterior—black baked polyester enamel. Cavity—white baked polyester enamel. Rust preventative undercoating. Louver—94% reflective flat white powder coat.
Electrical: Thermally protected class "P" ballast C.B.M. approved, non PCB. If K.O. is within 3" of ballast, use wire suitable for at least 90°.
Labels: I.B.E.W. UL and ULc Listed.
This product may have a mercury containing lamp.
Manage in accord with Disposal Laws. See: www.lamprecycle.org

Job Information

Type:

For Factory Technical Information: (978) 657-7600 • Fax (978) 658-0595
631 Airport Road, Fall River, MA 02720 • (508) 679-8131 • Fax (508) 674-4710
We reserve the right to change details of design, materials and finish.
www.lightolier.com © 2008 a Philips Group

Section 1/Folio A10-10