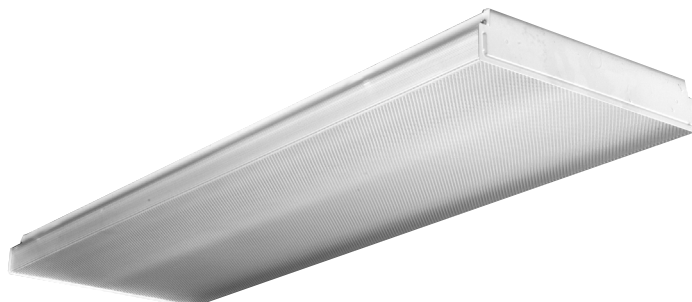
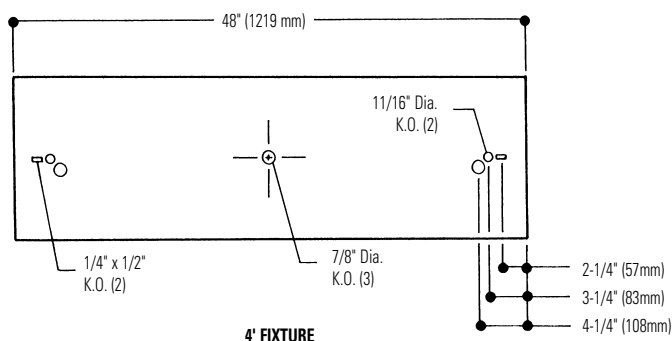
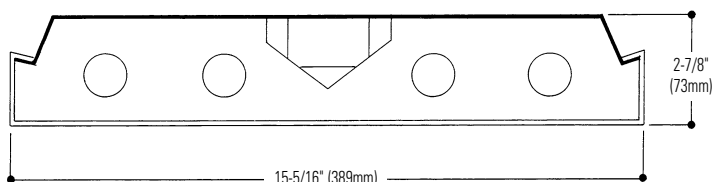


Features

- Excellent for locations where vandal resistance is required.
- Prismatic lens is 50% DR (impact resistant), and 50% standard acrylic with a nominal thickness of 1/8", withstands 70 ft. lbs. impact without breaking.
- Tamper resistant holt head screws secure lens to housing.
- UL-Listed for direct mounting on low density ceilings and damp locations.
- Steel end caps, standard.
- Self-aligning for continuous row mounting.
- Heavy duty, die formed channel of code gauge steel.



DIMENSIONS



Job Information	Type:
Job Name:	
Cat. No.:	
Lamp(s):	
Volts/Ballast:	

Lightolier a Genlyte Thomas Company www.lightolier.com
 Technical Information: (978) 657-7600 • Fax (978) 658-0595
 631 Airport Road, Fall River, MA 02720 • (508) 679-8131 • Fax (508) 674-4710
 We reserve the right to change details of design, materials and finish.
 © 2002 Genlyte Thomas Group LLC (Lightolier Division)
 A0902 **Section 6A/Folio P20-62**

LIGHTOLIER®



GUARDSMAN **GV4WB432**

VANDAL RESISTANT WRAPAROUND, 15-5/16" WIDE, 4' LENGTH SURFACE FLUORESCENT 4 LAMP, T8 OR T12

MODEL NO. GV4WB43212004

LER = FW - 76 IW - 108 BF - 0.91
Comparative yearly lighting energy cost per 1000 lumens = \$3.16

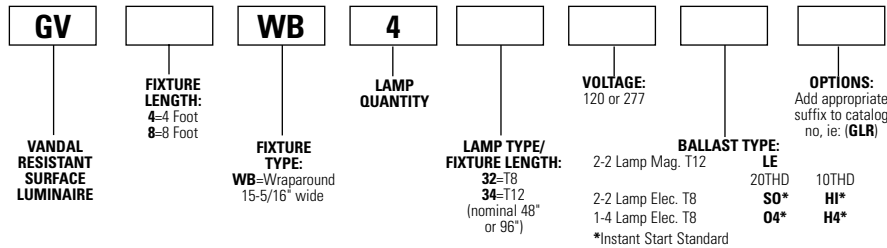
coefficient of utilization									
pfc pcc pw RCR	20			70			50		
	80	50	30	70	50	30	50	30	
0	92	92	92	89	89	89	83	83	
1	83	81	77	81	78	75	73	71	
2	77	70	66	75	68	64	65	61	
3	70	63	56	68	60	56	57	53	
4	65	56	48	63	55	47	52	46	
5	59	50	42	57	48	42	46	40	
6	55	45	39	53	44	38	41	36	
7	51	40	34	50	40	34	39	33	
8	47	38	30	46	36	30	34	29	
9	45	34	28	42	34	28	32	27	
10	41	32	26	40	30	25	29	25	

typical V.C.P.'s				
Room Size	Mounting Height			
	Lengthwise		Crosswise	
	8.5	10	8.5	10
30x30	51	54	47	52
40x40	49	51	42	46
60x30	53	56	51	55
60x60	46	48	37	41
100x100	45	45	33	36

candlepower			
angle	end	45	cross
0	3116	3116	3116
5	3123	3119	3107
15	3020	3063	3099
25	2814	2941	3020
35	2506	2716	2830
45	2040	2285	2285
55	1178	1348	1257
65	632	695	862
75	348	395	553
85	95	229	372
95	0	156	306
105	3	163	237
115	6	119	162
125	10	87	117
135	15	65	91
145	13	48	65
155	13	31	46
165	11	17	25
175	11	11	14

ORDERING INFORMATION

Explanation of Catalog Number. Example: GV4WB43212004GLR



Other dimming options. Consult factory.

OPTIONS & ACCESSORIES

SCREWDRIVER: For holt head screw. Order Catalog Number **LP156737**.

ELECTRICAL/WIRING OPTIONS Consult factory

FUSING: Internal fast-blow fusing.
SUFFIX: **GLR**.
Internal slow-blow fusing.
SUFFIX: **GMF**.

SPECIFICATIONS

PERFORMANCE: In an installation of 4 lamp 32W luminaires in a room cavity ratio of 1, reflectance 80% ceiling, 50% wall, 20% floor, the C.U. shall not be less than .81. To reduce glare the VCP shall be not less than 37 either cross-wise or lengthwise (at 100fc level) and the average brightness at 65° shall not exceed 3465 candelas per square meter. To control veiling reflections, luminaire output in the 30°-90° zone shall not be less than 72.3%.

MATERIALS: Chassis parts are die formed code gauge cold rolled steel.

FINISH: Multi-stage phosphate treated for maximum corrosion resistance and finish coat high reflectance baked white enamel.

SPECIFICATIONS (continued)

LENS: Prismatic lens is 50% DR (impact resistant) and 50% standard acrylic with a nominal thickness of 1/8", withstands 70 ft. lbs. impact without breaking.

SCREWS: Tamper resistant holt head screws secure lens to housing.

ELECTRICAL: Thermally protected class "P" ballast C.B.M. approved, non PCB. If K.O. is within 3" of ballast, use wire suitable for at least 90°.

LABELS: I.B.E.W./UL and C-UL.

Job Information

Type:

Lightolier a Genlyte Thomas Company www.lightolier.com
Technical Information: (978) 657-7600 • Fax (978) 658-0595
631 Airport Road, Fall River, MA 02720 • (508) 679-8131 • Fax (508) 674-4710
We reserve the right to change details of design, materials and finish.
© 2002 Genlyte Thomas Group LLC (Lightolier Division)
A0902 **Section 6A/Folio P20-62**

LIGHTOLIER