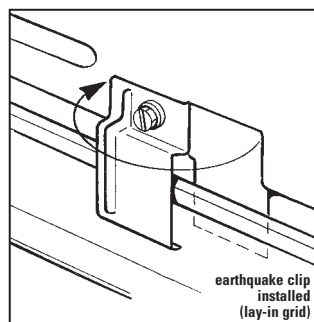
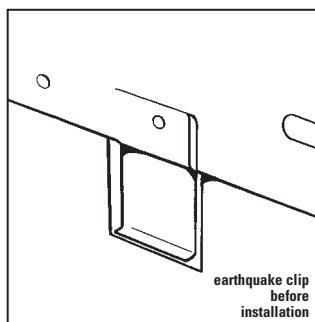
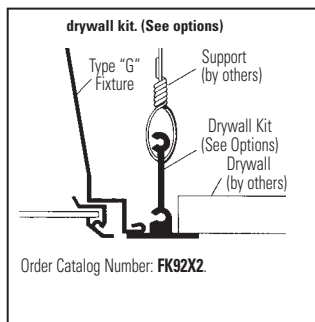
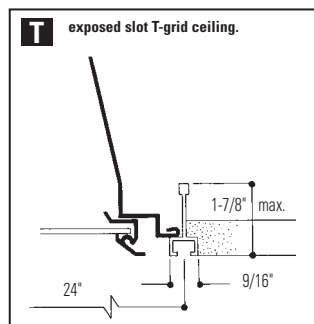
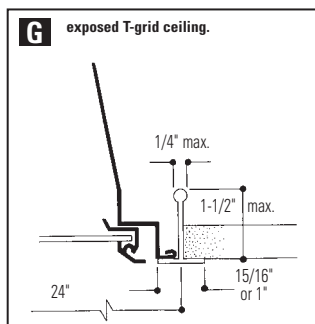


2' x 2' Recessed Fluorescent, IC Lens Frame Troffer Static, 2-6" U Lamp T8

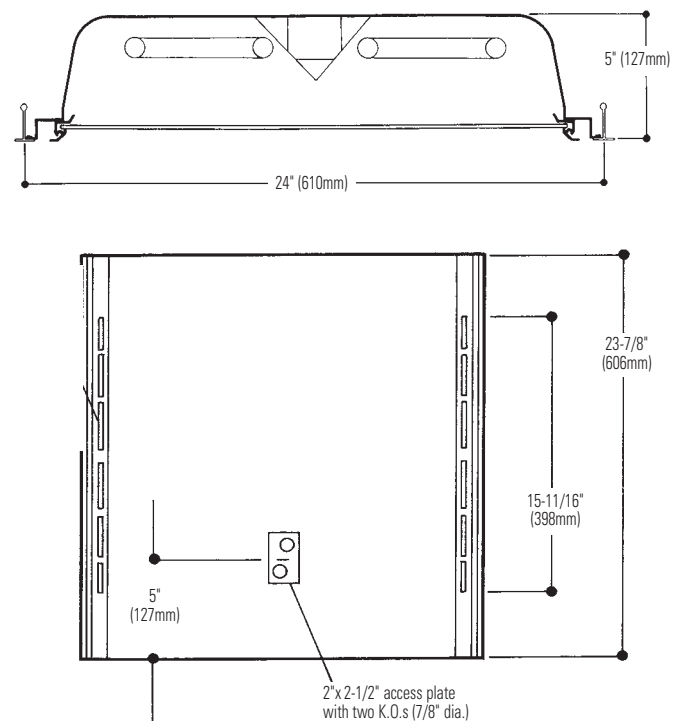
- UL Listed Type IC Recessed Luminaire (Intended for Direct Thermal Insulation Contact).
- Construction provides optimum thermal performance.
- Ballast mounted with thermal heat sink.
- Ideal for fire rated ceilings.
- Black exterior for cooler ballast operating temperature.
- 5" deep body.
- 71.6% efficient
- 2-9/16" lamp to lens for better lamp obscuration.
- Hemmed over side rails for maximum safety.
- Fixture ends turned-in for safe handling.
- Built-in earthquake clips.
- True Mitered corner steel lens frame.
- Spring loaded rooster head latches.
- 18 gauge steel hinges.
- Flat and regressed aluminum doors available.
- Construction to meet Chicago Plenum requirements is available.



Mounting Methods



Dimensions



Job Information Type:

Job Name:

Cat. No.:

Lamp(s):

Volts/Ballast:

2' x 2' Recessed Fluorescent, IC Lens Frame Troffer Static, 2-6" U Lamp T8

Model No. ICS2GFSVA26U120SO

LER = FP - 58.4 IW - 56.5 BF - 0.87
Comparative yearly lighting energy cost per
1000 lumens = \$3.86

Report Number: G00036
Catalog Number: ICS2GFSVA26U120SO
Lamp: (2) T8 U6
Luminaire: IC 2' X 2' with VA lens
Ballast: M2-RN-T81LL-D-120
Report is based on 2750 Lumens per lamp.
Efficiency: 71.6%
CIE Type-Direct-Indirect
Plane: 0-Deg 90-Deg
Spacing Criteria: 1.2 1.2
Shielding Angles: 90 90
Plane: 0-Deg 90-Deg
Luminous Length: 21.720 21.720

CANDELA DISTRIBUTION

	0.0	45.0	90.0	FLUX
0	1708	1708	1708	
5	1700	1698	1702	162
15	1620	1635	1655	462
25	1467	1501	1531	691
35	1231	1274	1328	798
45	904	959	1069	748
55	553	592	651	531
65	313	269	331	302
75	173	141	207	180
85	59	54	68	63
90	0	0	0	

COEFFICIENTS OF UTILIZATION – ZONAL CAVITY METHOD. EFFECTIVE FLOOR CAVITY REFLECTANCE 0.20

RC	80	50	30	10	50	30	10
RV 70	79	76	73	71	69	67	66
1	72	67	62	63	60	57	61
2	66	60	54	56	52	49	54
3	61	53	48	51	46	42	49
4	57	48	42	46	41	37	44
5	53	44	38	42	37	33	41
6	49	40	34	38	33	29	37
7	46	36	31	35	30	26	34
8	43	34	28	32	27	24	32
9	40	31	26	30	25	22	29
10							

TYPICAL V.C.P.'s

Room Size	Mounting Height				Mounting Height			
	Lengthwise		Crosswise		Lengthwise		Crosswise	
	0 Deg Plane		90 Deg Plane		0 Deg Plane		90 Deg Plane	
	8.5	10	13	16	8.5	10	13	16
30x30	50	54	58	63	47	51	55	60
40x40	47	50	53	56	44	47	50	53
60x30	52	56	60	64	51	55	58	62
60x60	44	46	47	50	41	43	44	48
100x100	44	44	43	45	42	41	40	41

LUMINANCE DATA IN CANDELA/SQ. METER

AVERAGE IN DEG.	AVERAGE 0-DEG.	AVERAGE 45-DEG.	AVERAGE 90-DEG.
45	4199.	4454.	4565.
55	3167.	3390.	3728.
65	2432.	2091.	2572.
75	2195.	1789.	2627.
85	2223.	2035.	2563.

ZONAL LUMEN SUMMARY

ZONE	LUMENS	% LAMP	% FIXT
0- 30	1315	23.9	33.4
0- 40	2113	38.4	53.7
0- 60	3392	61.7	86.1
0- 90	3938	71.6	100.0
90-180	0	0.0	0.0
0-180	3938	71.6	100.0

Ordering Information

Explanation of Catalog Number. Example: ICS2GFSVA26UUNVHI

IC	S	2			VA		6U			-	
IC Series: Recessed Lens suitable for Direct Thermal Insulation Contact	Body Style: S=Static	Fixture Width	Ceiling Type: G= Grid (lay-in T bar) T= Slot grid	Lens Frame: FS= Flat steel frame. RA=Regressed aluminum frame. FA= Flat aluminum frame.	Lens Shielding Type: VA=Virgin acrylic (standard), see options and consult factory	Lamp Quantity 2=2 lamps	Lamp Type/ Fixture Length: (By Others) 6U=6" U Lamp T8 (Nominal 24")	Voltage: 120, 277 or UNV=120-277	Ballast Type: <20THD SO * <10THD HI *	Options: Lamps Flex EM Pack Fuse (Consult your representative)	
IC Standard IC Lens											
IY For NYC Code – I.B.E.W. Manufactured											

*Instant Start Standard
NOTE:
For T8 UNV, you must use HI Ballast Code.

Options/Accessories

Special Lenses: Substitute **VY** for **VA** (standard) = .125" nominal pattern 12 with 7.8 oz. average weight per square foot. Substitute **VI** for **VA** (standard) = .125" nominal pattern 12 with 6.8 oz. average weight per square foot.

Radio Interference Filter: To order one RIF per fixture; SUFFIX: **R**.
To order one RIF per ballast; SUFFIX: **B**.

Electrical Wiring Options: Consult factory.

Drywall Kit: Order Catalog Number: **FK92X2**. (Request Folio OA30-10 Rev. A).

Chicago Plenum: SUFFIX: **C**.

Specifications

Performance: In an installation of 2 lamp 31W luminaires in a room cavity ratio of 1, reflectance 80% ceiling, 50% wall, 20% floor, the C.U. shall not be less than .76. To prevent glare the VCP shall be not less than 41 either lengthwise or crosswise (at 100fc level) and the average brightness at 65° shall not exceed 2572 candelas per square meter. To control veiling reflections, luminaire output in the 30°-90° zone shall not be less than 66.9%.

Materials: Chassis parts are die-formed code gauge cold rolled steel. Housing with side rails hemmed over and housing ends turned-in for safe handling.

Specifications (continued)

Finish: Chassis exterior—black baked polyester enamel. **Cavity**—white baked polyester enamel minimum 86% reflectance. Rust preventative undercoating.

Lenses: VA (standard) extruded virgin acrylic, 3/16" square based female cones, running 45° to the panel edge, .095" nominal thickness (similar to pattern 12). VY (optional) .125" nominal pattern 12 with 7.8 oz. average weight per square foot. VI (optional) .125" nominal pattern 12 with 6.8 oz. average weight per square foot.

Electrical: Thermally protected class "P" ballast C.B.M. approved, non PCB. If K.O. is within 3" of ballast, use wire suitable for at least 90°.

Labels: I.B.E.W. UL and ULc Listed.

This product may have a mercury containing lamp. Manage in accord with Disposal Laws. See: www.lamprecycle.org

Job Information Type: