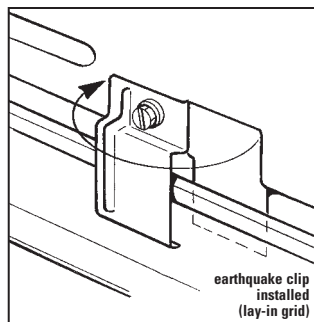
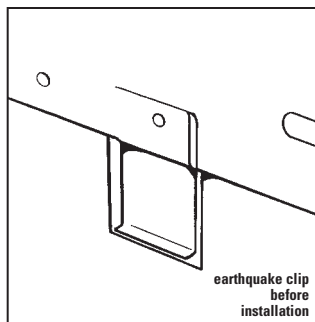
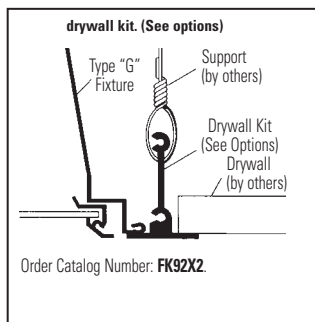
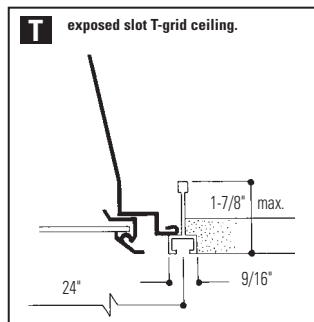
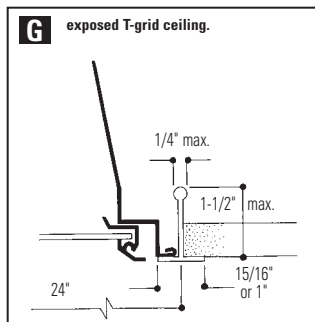


## 2' x 4' Recessed Fluorescent, IC Lens Frame Troffer Static, 2, 3 or 4 Lamp T8

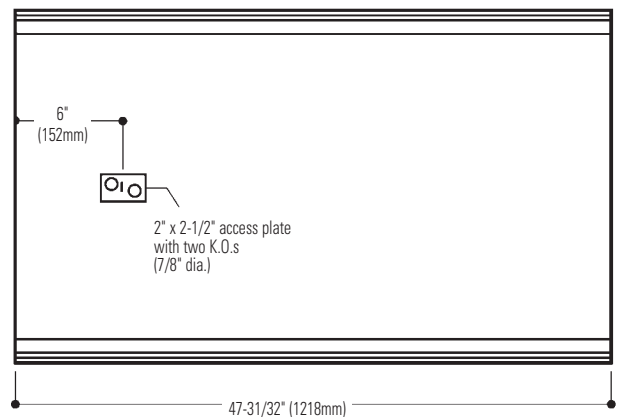
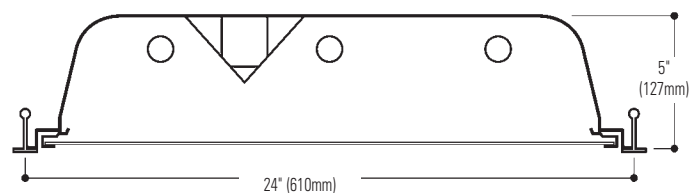
- UL Listed Type IC Recessed Luminaire (Intended for Direct Thermal Insulation Contact).
- Construction provides optimum thermal performance.
- Ballast mounted with thermal heat sink.
- Ideal for fire rated ceilings.
- Black exterior for cooler ballast operating temperature.
- 5" deep body.
- 83.2% efficient (2 lamp T8)
- 80.1% efficient (3 lamp T8)
- 3-1/16" lamp to lens for better lamp obscuration.
- Hemmed over side rails for maximum safety.
- Fixture ends turned-in for safe handling.
- Built-in earthquake clips.
- True Mitered corner steel lens frame.
- Spring loaded rooster head latches.
- 18 gauge steel hinges.
- Flat and regressed aluminum doors available.
- Construction to meet Chicago Plenum requirements is available.



### Mounting Methods



### Dimensions



### Job Information Type:

**Job Name:**

**Cat. No.:**

**Lamp(s):**

**Volts/Ballast:**

## 2' x 4' Recessed Fluorescent, IC Lens Frame Troffer Static, 2, 3 or 4 Lamp T8

### Model No. ICS2GFSVA232120S0

LER = FP - 67.4 IW - 61.2 BF - 0.87  
Comparative yearly lighting energy cost per  
1000 lumens = \$3.56

Report Number: ITL49784  
Catalog Number: ICS2GFSVA232120S0  
Lamp: (2) F32 T8  
Luminaire: IC 2' X 4' with VA lens  
Ballast: M2-RN-T81LL-D-120  
Report is based on 2850 Lumens per lamp.  
Efficiency: 83.2%  
CIE Type-Direct-Indirect  
Plane: 0-Deg 90-Deg  
Spacing Criteria: 1.2 1.4  
Shielding Angles: 90 90  
Plane: 0-Deg 90-Deg  
Luminous Length: 46.000 21.875

#### CANDELA DISTRIBUTION

	0.0	45.0	90.0	FLUX
0	1817	1817	1817	
5	1811	1812	1815	173
15	1751	1773	1798	502
25	1613	1680	1748	775
35	1388	1512	1622	943
45	1083	1220	1325	932
55	699	803	859	707
65	388	406	450	414
75	218	181	202	214
85	86	76	68	83
90	0	0	0	

#### TYPICAL V.C.P.'s

Room Size	Mounting Height		Luminaires	
	Lengthwise	Crosswise	0 Deg Plane	90 Deg Plane
	<b>8.5</b>	<b>10</b>	<b>13</b>	<b>16</b>
30x30	66	70	73	78
40x40	63	66	69	72
60x30	69	72	75	78
60x60	59	62	63	66
100x100	57	58	58	61

#### COEFFICIENTS OF UTILIZATION – ZONAL CAVITY METHOD. EFFECTIVE FLOOR CAVITY REFLECTANCE 0.20

RC	80	50	30	10
1	91	88	84	82
2	84	77	72	69
3	77	68	62	55
4	70	61	54	48
5	65	55	48	42
6	60	49	42	37
7	56	45	38	33
8	52	41	34	29
9	49	38	31	26
10	46	35	28	24

#### LUMINANCE DATA IN CANDELA/SQ. METER

AVERAGE IN DEG.	AVERAGE 0-DEG.	AVERAGE 45-DEG.	AVERAGE 90-DEG.
45	2358.	2657.	2885.
55	1877.	2156.	2306.
65	1414.	1479.	1640.
75	1297.	1077.	1202.
85	1519.	1343.	1201.

#### ZONAL LUMEN SUMMARY

ZONE	LUMENS	% LAMP	% FIXT
0- 30	1449	25.4	30.6
0- 40	2392	42.0	50.4
0- 60	4032	70.7	85.0
0- 90	4743	83.2	100.0
90-180	0	0.0	0.0
0-180	4743	83.2	100.0

### Model No. ICS2GFSVA33212003

LER = FP - 70.6 IW - 84.4 BF - 0.87  
Comparative yearly lighting energy cost per  
1000 lumens = \$3.40

Report Number: ITL49785  
Catalog Number: ICS2GFSVA33212003  
Lamp: (3) F32 T8  
Luminaire: IC 2' X 4' with VA lens  
Ballast: M3-RN-T81LL-120  
Report is based on 2850 Lumens per lamp.  
Efficiency: 80.1%  
CIE Type-Direct-Indirect  
Plane: 0-Deg 90-Deg  
Spacing Criteria: 1.2 1.3  
Shielding Angles: 90 90  
Plane: 0-Deg 90-Deg  
Luminous Length: 46.000 21.875

#### CANDELA DISTRIBUTION

	0.0	45.0	90.0	FLUX
0	2694	2694	2694	
5	2683	2687	2692	256
15	2592	2627	2658	742
25	2391	2479	2549	1141
35	2059	2194	2292	1365
45	1609	1733	1814	1323
55	1034	1120	1217	1004
65	571	570	631	587
75	317	260	294	309
85	126	108	98	121
90	0	0	0	

#### COEFFICIENTS OF UTILIZATION – ZONAL CAVITY METHOD. EFFECTIVE FLOOR CAVITY REFLECTANCE 0.20

RC	80	50	30	10
1	88	84	81	79
2	81	74	69	66
3	74	66	60	54
4	68	59	52	46
5	63	53	46	40
6	58	48	41	36
7	54	44	37	32
8	50	40	33	28
9	47	37	30	26
10	44	34	28	23

#### TYPICAL V.C.P.'s

Room Size	Mounting Height		Luminaires	
	Lengthwise	Crosswise	0 Deg Plane	90 Deg Plane
	<b>8.5</b>	<b>10</b>	<b>13</b>	<b>16</b>
30x30	58	62	66	71
40x40	54	57	60	64
60x30	61	65	67	71
60x60	50	53	55	58
100x100	48	49	49	52

#### LUMINANCE DATA IN CANDELA/SQ. METER

AVERAGE IN DEG.	AVERAGE 0-DEG.	AVERAGE 45-DEG.	AVERAGE 90-DEG.
45	3504.	3774.	3950.
55	2776.	3007.	3267.
65	2080.	2077.	2299.
75	1886.	1547.	1749.
85	226.	1908.	1731.

#### ZONAL LUMEN SUMMARY

ZONE	LUMENS	% LAMP	% FIXT
0- 30	2139	25.0	31.2
0- 40	3504	41.0	51.2
0- 60	5832	68.2	85.2
0- 90	6848	80.1	100.0
90-180	0	0.0	0.0
0-180	6848	80.1	100.0

## Ordering Information

Explanation of Catalog Number. Example: ICS2GFSVA332120S0

<div style="border: 1px solid black; width: 40px; height: 20px; margin: 0 auto;"></div> <p><b>IC Series:</b> Recessed Lens suitable for Direct Thermal Insulation Contact</p>	<div style="border: 1px solid black; width: 40px; height: 20px; margin: 0 auto; text-align: center; font-weight: bold;">S</div> <p><b>Body Style:</b> S=Static</p>	<div style="border: 1px solid black; width: 40px; height: 20px; margin: 0 auto; text-align: center; font-weight: bold;">2</div> <p><b>Fixture Width</b></p>	<div style="border: 1px solid black; width: 40px; height: 20px; margin: 0 auto;"></div> <p><b>Ceiling Type:</b> G= Grid (lay-in T bar) T= Slot grid or two directional concealed T (see options)</p>	<div style="border: 1px solid black; width: 40px; height: 20px; margin: 0 auto;"></div> <p><b>Lens Frame:</b> FS= Flat steel frame. RA=Regressed aluminum frame. FA= Flat aluminum frame.</p>	<div style="border: 1px solid black; width: 40px; height: 20px; margin: 0 auto; text-align: center; font-weight: bold;">VA</div> <p><b>Lens Shielding Type:</b> VA=Virgin acrylic (standard), see options and consult factory</p>	<div style="border: 1px solid black; width: 40px; height: 20px; margin: 0 auto;"></div> <p><b>Lamp Quantity</b> 2=2 lamps 3=3 lamps 4=4 lamps</p>	<div style="border: 1px solid black; width: 40px; height: 20px; margin: 0 auto; text-align: center; font-weight: bold;">32</div> <p><b>Lamp Type/ Fixture Length:</b> (By Others) 32=32W T8 (Nominal 48")</p>	<div style="border: 1px solid black; width: 40px; height: 20px; margin: 0 auto;"></div> <p><b>Voltage:</b> 120, 277 or UNV=120-277</p>	<div style="border: 1px solid black; width: 40px; height: 20px; margin: 0 auto;"></div> <p><b>Ballast Type:</b> &lt;20THD &lt;10THD 1 &amp; 2 Lamp Elec. T8 <b>S0</b> * <b>H1</b> * 1-3 Lamp Elec. T8 <b>O3</b> * <b>H3</b> * 1-4 Lamp Elec. T8 <b>O4</b> * <b>H4</b> * *Instant Start Standard †Instant Start (120, 277 or UNV) <b>NOTE:</b> For T8 UNV, you must use <b>H1</b> Ballast Code.</p>	<div style="border: 1px solid black; width: 40px; height: 20px; margin: 0 auto;"></div> <p><b>Options:</b> Lamps Flex EM Pack Fuse (Consult your representative)</p>
---	--	---	--	---	---	---	---	--	--	--

## Options/Accessories

**Special Lenses:** Substitute **VY** for **VA** (standard) = .125" nominal pattern 12 with 7.8 oz. average weight per square foot. Substitute **VI** for **VA** (standard) = .125" nominal pattern 12 with 6.8 oz. average weight per square foot.  
**Plaster Frame:** Catalog Number: **PF24**.  
**Continuous Row Installation:** For F type fixtures, half width flanges are required between fixtures. Order Catalog Number: **2FC TRIM CSP** (each joint).  
**Radio Interference Filter:** To order one RIF per fixture; SUFFIX: **R**.  
To order one RIF per ballast; SUFFIX: **B**.  
**Fusing:** Internal fast-blow fusing. SUFFIX **A**. Internal slow-blow fusing. SUFFIX **C**.  
**Electrical Wiring Options:** Consult factory.  
**Drywall Kit:** Order Catalog Number: **FK92X4**. (Request Folio OA30-10 Rev. A).  
**Chicago Plenum:** SUFFIX: **C**.

## Specifications

**Performance:** In an installation of 2 lamp 32W luminaires in a room cavity ratio of 1, reflectance 80% ceiling, 50% wall, 20% floor, the C.U. shall not be less than .88. To prevent glare the VCP shall be not less than 59 either lengthwise or crosswise (at 100fc level) and the average brightness at 65° shall not exceed 1640 candelas per square meter. To control veiling reflections, luminaire output in the 30°-90° zone shall not be less than 69.4%.

## Specifications (continued)

**Materials:** Chassis parts are die-formed code gauge cold rolled steel. Housing with side rails hemmed over and housing ends turned-in for safe handling.  
**Finish:** Chassis exterior—black baked polyester enamel. Cavity—white baked polyester enamel minimum 86% reflectance. Phosphate undercoating.  
**Lenses:** VA (standard) extruded virgin acrylic, 3/16" square based female cones, running 45° to the panel edge, .095" nominal thickness (similar to pattern 12). VY (optional) .125" nominal pattern 12 with 7.8 oz. average weight per square foot. VI (optional) .125" nominal pattern 12 with 6.8 oz. average weight per square foot.  
**Electrical:** Thermally protected class "P" ballast C.B.M. approved, non PCB. If K.O. is within 3" of ballast, use wire suitable for at least 90°.  
**Labels:** I.B.E.W. UL and ULc Listed.  
This product may have a mercury containing lamp. Manage in accord with Disposal Laws. See: www.lamprecycle.org

## Job Information Type: