

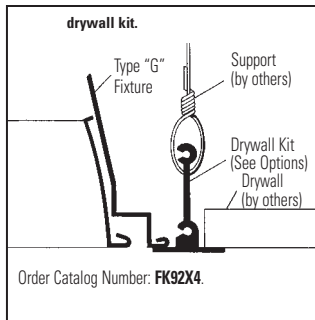
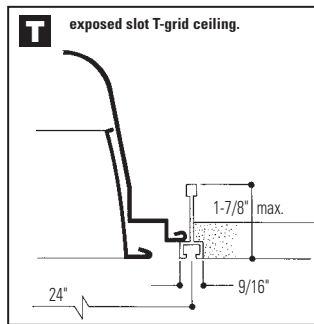
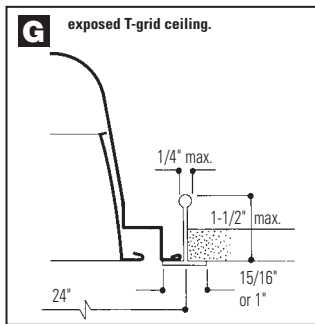
Louver IC Series

2' x 2' Recessed Fluorescent, 3" 9 or 16 Cell Parabolic Louver Static, 2-6" U Lamp T8

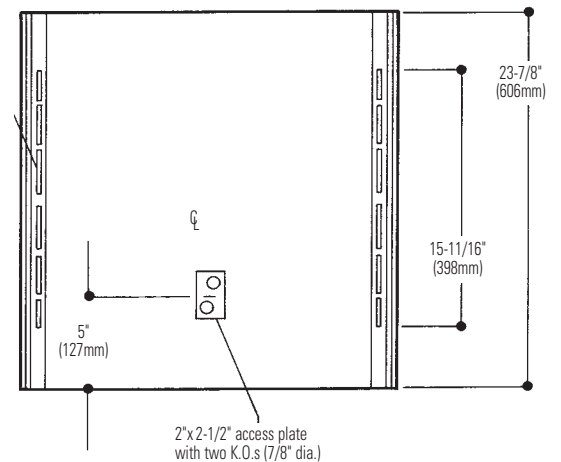
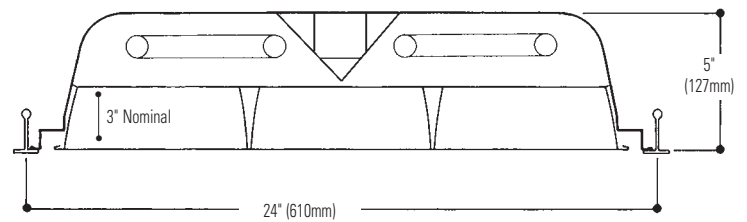
- UL Listed Type IC Recessed Luminaire (Intended for Direct Thermal Insulation Contact).
- Construction provides optimum thermal performance.
- Ballast mounted with thermal heat sink.
- Ideal for fire rated ceilings.
- One piece housing.
- Black exterior for cooler ballast operating temperature.
- 5" deep body.
- 66.2% efficient
- Hemmed over side rails for maximum safety.
- Fixture ends turned-in for safe handling.
- Built-in earthquake clips.
- Pre-anodized aluminum parabolic louver.
- Spring loaded rooster head latches.
- 18 gauge steel hinges.
- Louver has protective film dust guard.
- Vertical grain louver eliminates reflected lamp images on cross baffle.
- Construction to meet NYC Code or Chicago Plenum requirements is available.



Mounting Methods



Dimensions



Job Information Type:

Job Name:

Cat. No.:

Lamp(s):

Volts/Ballast:

Model No. ICS2G9LS26U120SO

LER = FP - 53.4 IW - 57.2 BF - 0.87
Comparative yearly lighting energy cost per
1000 lumens = \$4.49

Report Number: G00027
Catalog Number: ICS2G9LS26U120SO
Lamp: (2) F32 T8

Luminaire: IC 2' X 2' Troffer with 3X3
Spectacular Louver

Ballast: M2-RN-T81LL-D-120
Report is based on 2750 Lumens per lamp.
Efficiency: 66.2%

CIE Type-Direct-Indirect

Plane: 0-Deg 90-Deg

Spacing Criteria: 1.2 1.2

Shielding Angles: 23 23

Plane: 0-Deg 90-Deg

Luminous Length: 21.720 21.720

CANDELA DISTRIBUTION

| | 0.0 | 45.0 | 90.0 | FLUX |
|----|------|------|------|------|
| 0 | 1552 | 1552 | 1552 | |
| 5 | 1545 | 1546 | 1556 | 147 |
| 15 | 1465 | 1501 | 1530 | 423 |
| 25 | 1341 | 1353 | 1369 | 625 |
| 35 | 1185 | 1132 | 1146 | 716 |
| 45 | 943 | 905 | 1090 | 743 |
| 55 | 677 | 744 | 966 | 683 |
| 65 | 214 | 286 | 301 | 271 |
| 75 | 23 | 26 | 27 | 30 |
| 85 | 4 | 5 | 4 | 5 |
| 90 | 0 | 0 | 0 | |

TYPICAL V.C.P.'s

| Room Size | Mounting Height | | | | | | | |
|--------------|-----------------|----|----|--------------|-----|----|----|----|
| | Lengthwise | | | Crosswise | | | | |
| | 0 Deg Plane | | | 90 Deg Plane | | | | |
| | 8.5 | 10 | 13 | 16 | 8.5 | 10 | 13 | 16 |
| 30x30 | 75 | 69 | 60 | 57 | 72 | 66 | 57 | 53 |
| 40x40 | 80 | 74 | 67 | 60 | 77 | 71 | 64 | 57 |
| 60x30 | 79 | 74 | 67 | 61 | 76 | 71 | 64 | 58 |
| 60x60 | 82 | 78 | 72 | 65 | 80 | 75 | 70 | 63 |
| 100x100 | 85 | 82 | 78 | 72 | 84 | 80 | 76 | 70 |

COEFFICIENTS OF UTILIZATION – ZONAL CAVITY METHOD, EFFECTIVE FLOOR CAVITY REFLECTANCE 0.20

| RC | 80 | 50 | 30 | 10 | 50 | 30 | 10 |
|----|----|----|----|----|----|----|----|
| RW | 70 | 50 | 30 | 10 | 50 | 30 | 10 |
| 1 | 73 | 71 | 69 | 67 | 65 | 63 | 61 |
| 2 | 68 | 63 | 59 | 60 | 57 | 54 | 55 |
| 3 | 62 | 56 | 51 | 53 | 49 | 46 | 48 |
| 4 | 57 | 50 | 45 | 48 | 43 | 40 | 46 |
| 5 | 53 | 45 | 40 | 43 | 38 | 35 | 42 |
| 6 | 49 | 41 | 35 | 39 | 34 | 31 | 38 |
| 7 | 45 | 37 | 31 | 35 | 31 | 27 | 35 |
| 8 | 42 | 34 | 28 | 32 | 28 | 25 | 32 |
| 9 | 40 | 31 | 26 | 30 | 25 | 22 | 29 |
| 10 | 37 | 29 | 24 | 28 | 23 | 20 | 27 |

LUMINANCE DATA IN CANDELA/SQ. METER

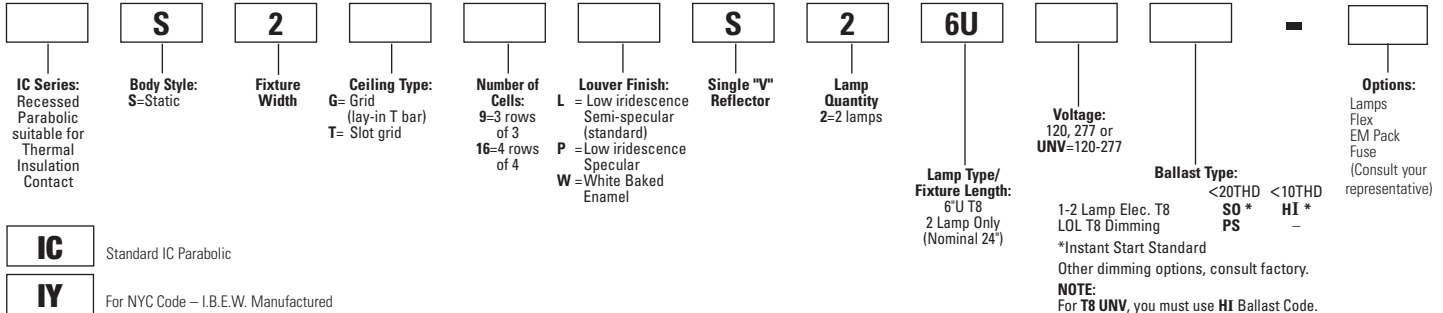
| AVERAGE IN DEG. | AVERAGE 0-DEG. | AVERAGE 45-DEG. | AVERAGE 90-DEG. |
|--------------------|-------------------|--------------------|--------------------|
| 45 | 4686. | 4497. | 5416. |
| 55 | 4147. | 4557. | 5917. |
| 65 | 1779. | 2378. | 2502. |
| 75 | 312. | 353. | 367. |
| 85 | 161. | 202. | 161. |

ZONAL LUMEN SUMMARY

| ZONE | LUMENS | % LAMP | % FIXT |
|--------|--------|--------|--------|
| 0- 30 | 1195 | 21.7 | 32.8 |
| 0- 40 | 1911 | 34.7 | 52.5 |
| 0- 60 | 3336 | 60.7 | 91.6 |
| 0- 90 | 3643 | 66.2 | 100.0 |
| 90-180 | 0 | 0.0 | 0.0 |
| 0-180 | 3643 | 66.2 | 100.0 |

Ordering Information

Explanation of Catalog Number. Example: ICS2G9LS26UUNVHI



Options/Accessories

Plaster Frame: Catalog Number: PF24.

Radio Interference Filter: To order one RIF per fixture; SUFFIX: R.

To order one RIF per ballast; SUFFIX: B.

Fusing: Internal fast-blow fusing. SUFFIX A. Internal slow-blow fusing. SUFFIX C.

Electrical Wiring Options: Consult factory.

Drywall Kit: Order Catalog Number: FK92X4. (Request Folio OA30-10 Rev. A).

Chicago Plenum: SUFFIX: C.

Specifications

Performance: In an installation of 2 lamp 31W luminaires in a room cavity ratio of 1, reflectance 80% ceiling, 50% wall, 20% floor, the C.U. shall not be less than .71. To prevent glare the VCP shall be not less than 63 either lengthwise or crosswise (at 100fc level) and the average brightness at 65° shall not exceed 2502 candelas per square meter. To control veiling reflections, luminaire output in the 30°-90° zone shall not be less than 67.2%.

Specifications (continued)

Materials: Chassis parts are die-formed code gauge cold rolled steel. Housing is ribbed for rigidity with side rails hemmed over and housing ends turned-in for safe handling. Louver is pre-anodized aluminum.

Finish: Chassis exterior—black baked polyester enamel. Cavity—white baked polyester enamel minimum 86% reflectance. Rust preventative undercoating. Louver—low iridescence semi-specular anodized vertical grain aluminum reflector sheet is standard.

Electrical: Thermally protected class "P" ballast C.B.M. approved, non PCB. If K.O. is within 3" of ballast, use wire suitable for at least 90°.

Labels: I.B.E.W. UL and ULc Listed.

This product may have a mercury containing lamp.

Manage in accord with Disposal Laws.

See: www.lamprecycle.org

Job Information Type: