

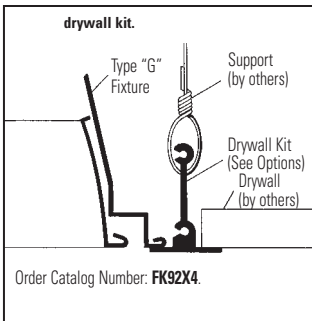
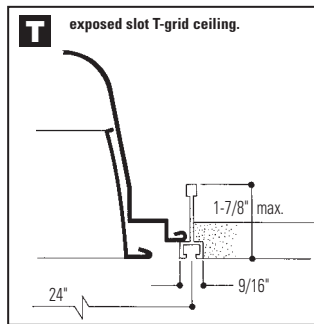
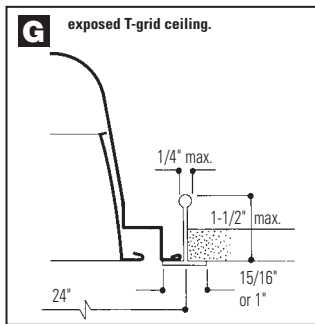
Louver IC Series

2' x 4' Recessed Fluorescent, 3" 12, 18, 24 or 32 Cell Parabolic Louver Static, 2,3 or 4 Lamp, T8

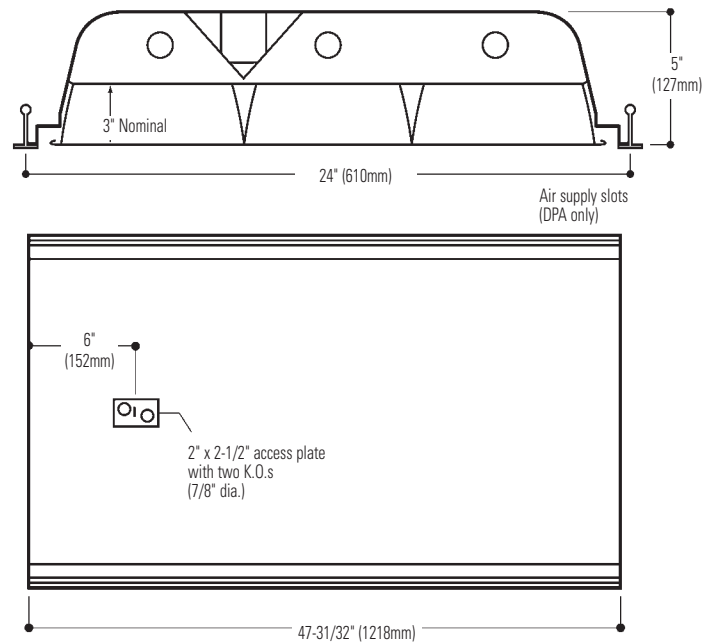
- UL Listed Type IC Recessed Luminaire (Intended for Direct Thermal Insulation Contact).
- Construction provides optimum thermal performance.
- Ballast mounted with thermal heat sink.
- Ideal for fire rated ceilings.
- One piece housing.
- Black exterior for cooler ballast operating temperature.
- 5" deep body.
- 77.7% efficient (3 light 18 cell)
- Hemmed over side rails for maximum safety.
- Fixture ends turned-in for safe handling.
- Built-in earthquake clips.
- Pre-anodized aluminum parabolic louver.
- Spring loaded rooster head latches.
- 18 gauge steel hinges.
- Louver has protective film dust guard.
- Vertical grain louver eliminates reflected lamp images on cross baffle.
- Construction to meet NYC Code or Chicago Plenum requirements is available.



Mounting Methods



Dimensions



Job Information Type:

Job Name:

Cat. No.:

Lamp(s):

Volts/Ballast:

Louver IC Series

2' x 4' Recessed Fluorescent, 3" 12, 18, 24 or 32 Cell Parabolic Louver Static, 2,3 or 4 Lamp, T8

Model No. ICS2G12LS232120S0

LER = FP - 65.5 IW - 61.6 BF - 0.87
Comparative yearly lighting energy cost per 1000 lumens = \$3.67

Report Number: ITL49787
Catalog Number: ICS2G12LS232120S0
Lamp: (2) F32 T8
Luminaire: IC 2' X 4' Troffer with 2X6 Semi-Specular Louver
Ballast: M3-RN-T81LL-D-120
Report is based on 2850 Lumens per lamp.
Efficiency: 80.0%
CIE Type-Direct-Indirect
Plane: 0-Deg 90-Deg
Spacing Criteria: 1.3 1.6
Shielding Angles: 25 29
Plane: 0-Deg 90-Deg
Luminous Length: 45.125 21.000

CANDELA DISTRIBUTION

	0.0	45.0	90.0	FLUX
0	1571	1571	1571	
5	1572	1569	1573	150
15	1511	1547	1579	438
25	1399	1489	1585	689
35	1242	1411	1593	888
45	1033	1330	1777	1057
55	744	1158	1217	939
65	274	415	322	356
75	17	30	38	42
85	1	1	1	2
90	0	0	0	

TYPICAL V.C.P.'s

Room Size	Mounting Height	
	Lengthwise	Crosswise
	0 Deg Plane	90 Deg Plane
	8.5 10 13 16	8.5 10 13 16
30x30	86 81 75 73	84 77 71 71
40x40	86 85 80 74	84 81 76 71
60x30	86 84 79 75	84 79 76 74
60x60	86 85 84 78	84 80 80 75
100x100	86 85 84 81	84 80 80 77

COEFFICIENTS OF UTILIZATION - ZONAL CAVITY METHOD. EFFECTIVE FLOOR CAVITY REFLECTANCE 0.20

RC	80	50	30
RW 70 50 30 10	50 30 10	50 30 10	50 30 10
1	89 85 83 80	78 76 77 75	74
2	81 76 71 71	68 64 69 66	63
3	74 67 61 63	59 55 61 57	54
4	68 59 53 56	51 47 55 50	46
5	63 53 46 50	45 40 49 44	40
6	58 48 41 45	40 35 44 39	35
7	53 43 36 41	35 31 40 35	31
8	50 39 32 37	32 28 36 31	27
9	46 36 29 34	29 25 33 28	25
10	43 33 27 32	26 22 31 26	22

LUMINANCE DATA IN CANDELA/SQ. METER

AVERAGE IN DEG.	AVERAGE 0-DEG.	AVERAGE 45-DEG.	AVERAGE 90-DEG.
45	2389.	3075.	4109.
55	2121.	3301.	3469.
65	1060.	1606.	1246.
75	107.	190.	240.
85	19.	19.	19.

ZONAL LUMEN SUMMARY

ZONE	LUMENS	% LAMP	% FIXT
0- 30	1277	22.4	28.0
0- 40	2165	38.0	47.5
0- 60	4161	73.0	91.2
0- 90	4561	80.0	100.0
90-180	0	0.0	0.0
0-180	4561	80.0	100.0

Model No. ICS2G18LS33212003

LER = FP - 68.8 IW - 85.8 BF - 0.89
Comparative yearly lighting energy cost per 1000 lumens = \$3.49

Report Number: ITL49576
Catalog Number: ICS2G18LS33212003
Lamp: (3) F32 T8
Luminaire: IC 2' X 4' Troffer with 3X6 Semi-Specular Louver
Ballast: M3-RN-T81LL-120
Report is based on 2850 Lumens per lamp.
Efficiency: 77.6%
CIE Type-Direct-Indirect
Plane: 0-Deg 90-Deg
Spacing Criteria: 1.2 1.6
Shielding Angles: 18 38
Plane: 0-Deg 90-Deg
Luminous Length: 45.125 21.000

CANDELA DISTRIBUTION

	0.0	45.0	90.0	FLUX
0	2502	2502	2502	
5	2497	2501	2500	239
15	2395	2482	2549	702
25	2213	2422	2674	1128
35	1966	2388	2741	1484
45	1647	2183	2047	1541
55	1202	1300	970	1062
65	483	419	384	444
75	23	25	20	31
85	3	3	3	5
90	0	0	0	

TYPICAL V.C.P.'s

Room Size	Mounting Height	
	Lengthwise	Crosswise
	0 Deg Plane	90 Deg Plane
	8.5 10 13 16	8.5 10 13 16
30x30	83 77 69 65	85 80 74 69
40x40	85 80 76 68	85 82 79 71
60x30	83 78 74 69	85 81 78 71
60x60	85 81 81 73	85 82 83 76
100x100	85 81 81 75	85 82 83 77

COEFFICIENTS OF UTILIZATION - ZONAL CAVITY METHOD. EFFECTIVE FLOOR CAVITY REFLECTANCE 0.20

RC	80	50	30
RW 70 50 30 10	80 50 30 10	80 50 30 10	80 50 30 10
1	86 83 81 78	76 75 75 74	72
2	80 74 70 70	67 64 68 65	62
3	73 66 61 63	58 55 61 57	54
4	67 59 53 56	51 47 54 50	47
5	62 53 47 51	45 41 49 45	41
6	57 48 41 46	40 36 45 40	36
7	53 43 37 42	36 32 41 36	32
8	50 40 33 38	33 29 37 32	29
9	46 36 30 35	30 26 34 29	26
10	43 33 28 32	27 23 32 27	23

LUMINANCE DATA IN CANDELA/SQ. METER

AVERAGE IN DEG.	AVERAGE 0-DEG.	AVERAGE 45-DEG.	AVERAGE 90-DEG.
45	3808.	5048.	4733.
55	3427.	3706.	2765.
65	1869.	1621.	1486.
75	145.	158.	126.
85	56.	56.	56.

ZONAL LUMEN SUMMARY

ZONE	LUMENS	% LAMP	% FIXT
0- 30	2068	24.2	31.2
0- 40	3552	41.5	53.5
0- 60	6155	72.0	92.8
0- 90	6634	77.6	100.0
90-180	0	0.0	0.0
0-180	6634	77.6	100.0

Ordering Information

Explanation of Catalog Number. Example: ICS2G12LS232120UNVHI

IC	S	2			S							
IC Series: Recessed Parabolic suitable for Thermal Insulation Contact	Body Style: S-Static	Fixture Width	Ceiling Type: G- Grid (lay-in T bar) T- Slot grid	Number of Cells: 12-2 rows of 6 18-3 rows of 6 24-3 rows of 8 32-4 rows of 8	Louver Finish: L = Low iridescence Semi-specular (standard) P = Low iridescence Specular W = White Baked Enamel	Single "V" Reflector	Lamp Quantity 2-2 lamps 3-3 lamps 4-4 lamps	Lamp Type/ Fixture Length: 32-32W T8 (Nominal 48")	Voltage: 120, 277 or UNV=120-277	Ballast Type: <20THD S0 * HI * 03 * H3 * 04 * H4 *	Options: Lamps Flex EM Pack Fuse (Consult your representative)	
IC Standard IC Parabolic												
IY For NYC Code - I.B.E.W. Manufactured												

Options/Accessories

Plaster Frame: Catalog Number: PF24.

Radio Interference Filter: To order one RIF per fixture; SUFFIX: R.

To order one RIF per ballast; SUFFIX: B.

Fusing: Internal fast-blow fusing. SUFFIX A. Internal slow-blow fusing. SUFFIX C.

Electrical Wiring Options: Consult factory.

Drywall Kit: Order Catalog Number: FK92X4. (Request Folio QA30-10 Rev. A).

Chicago Plenum: SUFFIX: C.

Specifications

Performance: In an installation of 2 lamp 32W luminaires in a room cavity ratio of 1, reflectance 80% ceiling, 50% wall, 20% floor, the C.U. shall not be less than .85. To prevent glare the VCP shall be not less than 75 either lengthwise or crosswise (at 100fc level) and the average brightness at 65° shall not exceed 1606 candelas per square meter. To control veiling reflections, luminaire output in the 30°-90° zone shall not be less than 72.0%.

Materials: Chassis parts are die-formed code gauge cold rolled steel. Housing is ribbed for rigidity with side rails hemmed over and housing ends turned-in for safe handling.

Specifications (continued)

Louver is pre-anodized aluminum.

Finish: Chassis exterior-black baked polyester enamel. **Cavity**-white baked polyester enamel minimum 86% reflectance. Rust preventative undercoating. **Louver**-low iridescence semi-specular anodized vertical grain aluminum reflector sheet is standard.

Electrical: Thermally protected class "P" ballast C.B.M. approved, non PCB. If K.O. is within 3" of ballast, use wire suitable for at least 90°.

Labels: I.B.E.W. UL and ULc Listed.

This product may have a mercury containing lamp. Manage in accord with Disposal Laws. See: www.lamprecycle.org

Job Information Type: