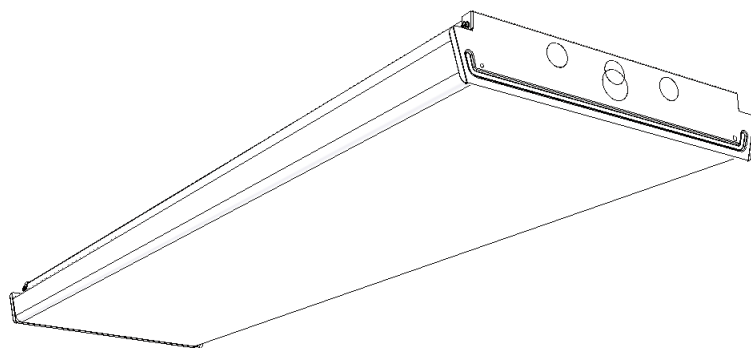


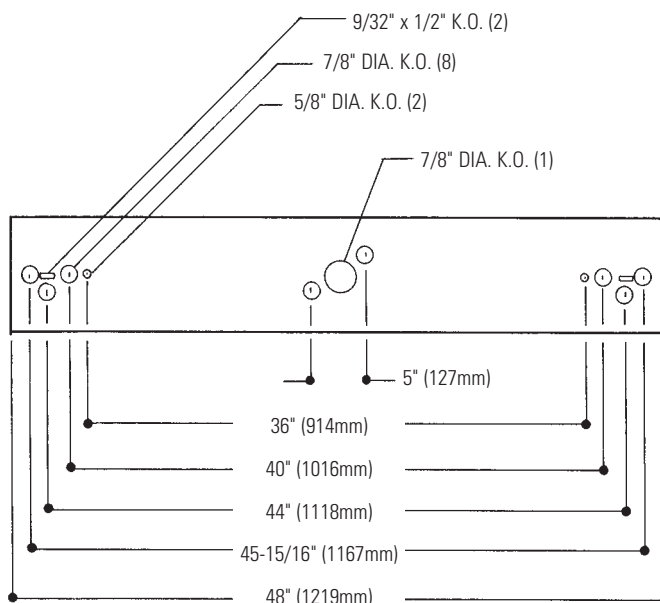
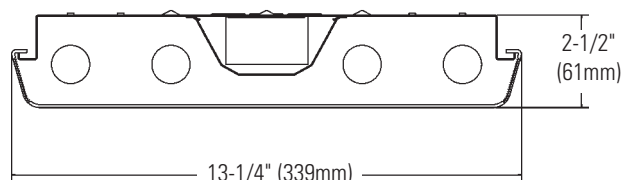
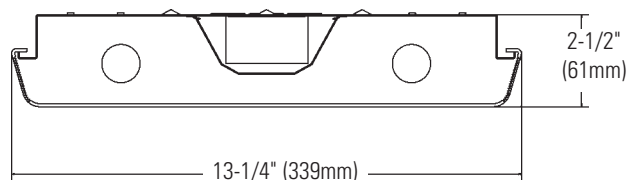
JETSTAR JS Series 13-1/4" Wide

Features

- Ideal for low ceiling height applications where recessed units cannot be used.
- 2-1/2" total depth.
- Step-back housing for an apparent depth of 1-3/4".
- Efficiency 90.7% (2 lamps).
- Efficiency 81.3% (4 lamps).
- A shallow profile and linear prismatic sides combine to reduce ceiling contrast.
- Virgin acrylic lens with one-piece extruded prismatic pattern 12 bottom and linear prism side walls.
- Shielding hinges from either side(self-leveling).
- Full-length ballast cover snaps-in, snaps-out (no tools).
- Individual or continuous row installations..
- Suitable for mounting on low-density cellulose fiberboard surfaces.
- Suitable for damp locations.



Dimensions



Features



Job Information Type:

Job Name:

Cat. No.:

Lamp(s):

Volts/Ballast:

JETSTAR JS Series 13-1/4" Wide

Model No. JS4B232UNVHI

LER = FP - 81.6 IW - 57 BF - 0.90
Comparative yearly lighting energy cost per 1000 lumens = \$2.94

Report Number: 28876-1
Catalog Number: JS4B232UNVHI
Lamps: (2) F32T8

Luminaire: Jet Star surface luminaire with clear wraparound prismatic lens.
Ballast: ICN-2P32-N
Report is based on 2850 Lumens per lamp.
Efficiency: 90.7%

ZONAL LUMEN SUMMARY

ZONE	LUMENS	% LAMP	% FIXT
0- 30	1254	22.0	24.2
0- 40	2113	37.1	40.9
0- 60	3853	67.6	74.5
0- 90	4761	83.5	92.1
90-120	327	5.7	6.3
90-130	365	6.4	7.1
90-150	398	7.0	7.7
90-180	411	7.2	7.9
0-180	5172	90.7	100.0

COEFFICIENTS OF UTILIZATION - ZONAL CAVITY METHOD. EFFECTIVE FLOOR CAVITY REFLECTANCE 0.20

RC	80	50	30	10
1	97	82	65	50
2	88	71	55	42
3	80	63	48	35
4	74	56	42	28
5	68	50	36	22
6	62	44	30	16
7	58	40	25	12
8	54	36	20	8
9	50	32	15	5
10	47	28	11	3

CANDELA DISTRIBUTION

	0.0	45.0	90.0	FLUX
0	1547	1547	1547	
5	1554	1544	1528	147
15	1506	1523	1526	430
25	1407	1474	1509	677
35	1266	1389	1450	860
45	1065	1236	1302	932
55	773	950	989	808
65	385	493	530	481
75	168	241	331	269
85	54	131	236	158
95	0	91	227	119
105	3	140	222	126
115	6	95	136	82
125	7	46	70	38
135	10	27	41	20
145	12	18	28	12
155	14	15	18	7
165	14	12	14	4
175	15	14	15	1
180	15	15	15	

LUMINANCE DATA IN CANDELA/SQ. METER

AVERAGE IN DEG.	AVERAGE 0-DEG.	AVERAGE 45-DEG.	AVERAGE 90-DEG.
45	3628.	3934.	4101.
55	3205.	3584.	3677.
65	2121.	2371.	2497.
75	1444.	1668.	2221.
85	1134.	1709.	2901.

Model No. JS4B432UNVH4

LER = FP - 77.2 IW - 108 BF - 0.90
Comparative yearly lighting energy cost per 1000 lumens = \$3.11

Report Number: 2884
Catalog Number: JS4B432UNVH4
Lamps: (4) F32T8

Luminaire: Jet Star surface luminaire with clear wraparound prismatic lens.
Ballast: ICN-4P32-N
Report is based on 2850 Lumens per lamp.
Efficiency: 81.3%

ZONAL LUMEN SUMMARY

ZONE	LUMENS	% LAMP	% FIXT
0- 30	2445	21.4	26.4
0- 40	4052	35.5	43.7
0- 60	7116	62.4	76.8
0- 90	8611	75.5	92.9
90-120	502	4.4	5.4
90-130	576	5.1	6.2
90-150	639	5.6	6.9
90-180	660	5.8	7.1
0-180	9271	81.3	100.0

COEFFICIENTS OF UTILIZATION - ZONAL CAVITY METHOD. EFFECTIVE FLOOR CAVITY REFLECTANCE 0.20

RC	80	50	30	10
1	87	73	58	44
2	80	67	53	40
3	73	60	47	35
4	67	53	41	30
5	62	47	35	25
6	57	41	29	20
7	53	35	23	16
8	49	29	17	12
9	46	23	12	8
10	43	17	8	5

CANDELA DISTRIBUTION

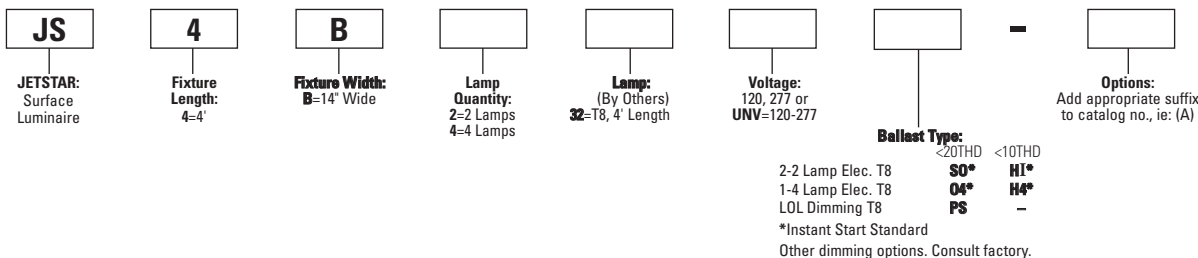
	0.0	45.0	90.0	FLUX
0	3116	3116	3116	
5	3115	3098	3082	295
15	2982	2992	3024	848
25	2756	2804	2895	1302
35	2422	2545	2696	1607
45	1972	2179	2414	1699
55	1288	1491	1686	1366
65	572	730	930	788
75	240	377	572	443
85	38	195	440	264
95	2	228	342	203
105	6	196	296	178
115	10	128	211	121
125	15	84	146	74
135	20	47	90	41
145	21	30	50	22
155	23	23	29	12
165	25	23	25	7
175	25	23	25	2
180	24	24	24	

LUMINANCE DATA IN CANDELA/SQ. METER

AVERAGE IN DEG.	AVERAGE 0-DEG.	AVERAGE 45-DEG.	AVERAGE 90-DEG.
45	6717.	6935.	7603.
55	5340.	5624.	6269.
65	3151.	3510.	4382.
75	2063.	2609.	3837.
85	798.	2543.	5408.

Ordering Information

Explanation of Catalog Number. Example: JS4B432UNVH4



Options/Accessories

Canopy Spacer: Suspends fixture approximately 1-1/2" from surface. Order Catalog Number: **ASC CSP**.

Stem and Canopy Sets: Suspends fixture 6", 12", 18" or 24" from surface. **Catalog Number: ASC6 CSP (6"), ASC12 CSP (12"), ASC18 CSP (18"), ASC24 CSP (24").**

Fusing: Internal fast-blow fusing. SUFFIX: **A**.
Internal slow-blow fusing. SUFFIX: **C**.

Specifications

Performance: In an installation of 2 lamp 32W luminaires in a room cavity ratio of 1, with reflectance of 80% ceiling, 50% wall, 20% floor, the C.U. shall not be less than .92. To reduce glare the average brightness at 65° shall not exceed 2497 footlamberts. To control veiling reflections, luminaire output in the 30° - 90° zone shall be not less than 75.8%.

Specifications (continued)

Materials: Chassis parts are die-formed code gauge cold rolled steel.

Housing is reinforced for rigidity. **Reflector**—one-piece virgin acrylic.

Finish: Chassis exterior—white baked polyester enamel. **Cavity**—white baked polyester enamel minimum reflectance 86%. Phosphate undercoating.

Lens: One-piece extruded prismatic pattern 12 bottom and linear prism side walls.

Electrical: Thermally protected class "P" ballast C.B.M. approved, non PCB. If K.O. is within 3" of ballast, use wire suitable for at least 90°.

Labels: I.B.E.W./UL and ULc Listed.

This product may have a mercury containing lamp. Manage in accord with Disposal Laws. See: www.lamprecycle.org

Job Information Type: