

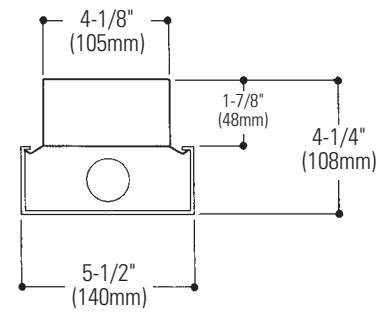
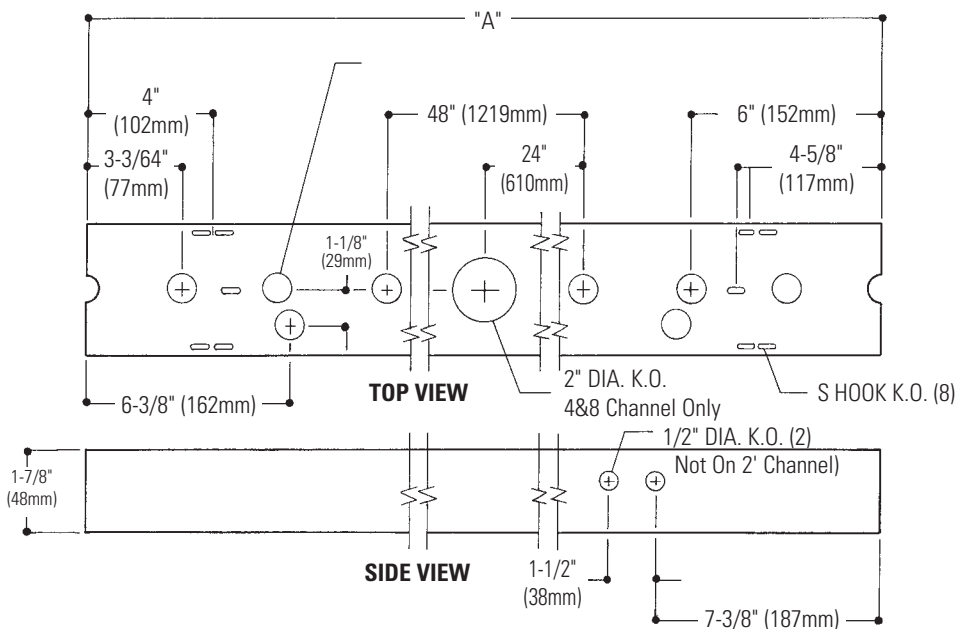
JETSTAR JS Series 5-1/2" Wide

Features

- Ideal for lighting corridors.
- Virgin acrylic lens with one-piece extruded prismatic bottom and linear prismatic sides for low brightness.
- 4-1/4" deep.
- 1 and 2 lamp models.
- Efficiency 84.6% (T8).
- Shielding hinges from either side (self-leveling).
- Suitable for mounting on low-density cellulose fiberboard surfaces or damp locations.
- Individual or continuous row installations.

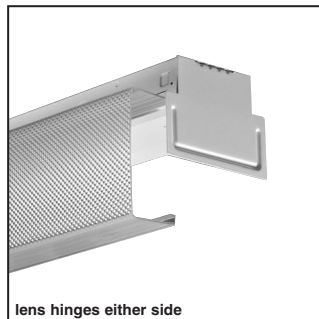
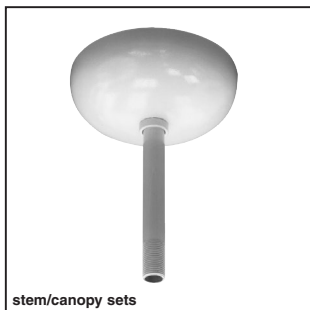


Dimensions



DIMENSIONS		
"A"		
Channel Length	Inches	(mm)
2' Channel	24"	(610 mm)
4' Channel	48"	(1219 mm)
8' Channel	96"	(2438 mm)

Features



Job Information	Type:
Job Name:	
Cat. No.:	
Lamp(s):	
Volts/Ballast:	

JETSTAR JS Series 5-1/2" Wide

Model No. JS4C132120SO

LER = FP - 72 IW - 34 BF - 1.0
Comparative yearly lighting energy cost per 1000 lumens = \$3.33

Report Number: ITL41969
Catalog Number: JS4C132120SO
Lamps: (1) F32T8
Luminaire: Jet Star surface luminaire with clear wraparound prismatic lens.
Ballast: B2321120RH
Report is based on 2900 Lumens per lamp.
Efficiency: 84.6%

CANDELA DISTRIBUTION

	0.0	45.0	90.0	FLUX
0	595	595	595	
5	597	596	597	57
15	576	601	622	170
25	531	597	636	273
35	463	551	584	338
45	351	437	442	325
55	210	275	276	243
65	126	179	195	174
75	72	126	193	138
85	18	96	236	129
90	0	122	287	152

COEFFICIENTS OF UTILIZATION – ZONAL CAVITY METHOD. EFFECTIVE FLOOR CAVITY REFLECTANCE 0.20

RC	80	50	30	10
1	86	82	78	70
2	78	71	66	57
3	72	63	56	49
4	66	56	48	43
5	60	50	42	38
6	56	45	38	34
7	52	41	33	30
8	48	37	30	27
9	45	34	27	25
10	42	31	25	22

LUMINANCE DATA IN CANDELA/SQ. METER

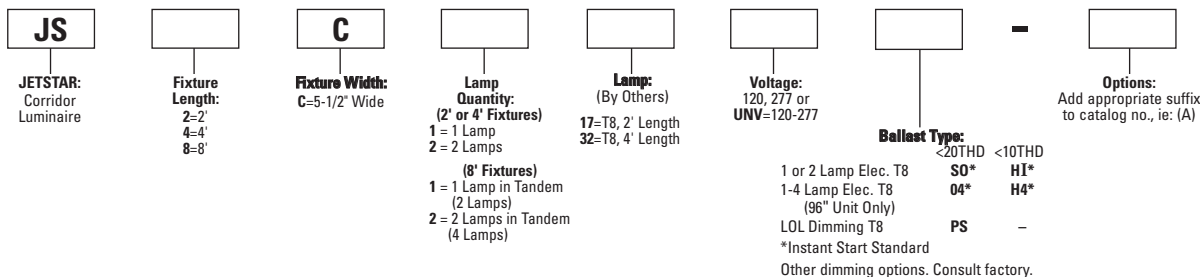
AVERAGE IN DEG.	AVERAGE 0-DEG.	AVERAGE 45-DEG.	AVERAGE 90-DEG.
45	2770.	2672.	2532.
55	2007.	1862.	1713.
65	1575.	1406.	1372.
75	1368.	1223.	1624.
85	760.	1270.	2566.

ZONAL LUMEN SUMMARY

ZONE	LUMENS	% LAMP	% FIXT
0- 30	500	17.2	20.4
0- 40	837	28.9	34.1
0- 60	1405	48.4	57.3
0- 90	1845	63.6	75.2
90-180	608	21.0	24.8
0-180	2453	84.6	100.0

Ordering Information

Explanation of Catalog Number. Example: JS4C232UNVHI



Options/Accessories

Canopy Spacer: Suspends fixture approximately 1-1/2" from surface. Order Catalog Number: **ASC CSP**.

Stem and Canopy Sets: Suspends fixture 6", 12", 18" or 24" from surface. **Catalog Number: ASC6 CSP (6"), ASC12 CSP (12"), ASC18 CSP (18"), ASC24 CSP (24").**

Fusing: Internal fast-blow fusing. SUFFIX: **A**.
Internal slow-blow fusing. SUFFIX: **C**.

Specifications

Performance: In an installation of 1 lamp 32W luminaires in a room cavity ratio of 1, with reflectance of 80% ceiling, 50% wall, 20% floor, the C.U. shall not be less than .82. To reduce glare the average brightness at 65° shall not exceed 1372 footlamberts. To control veiling reflections, luminaire output in the 30° - 90° zone shall be not less than 79.6%.

Specifications (continued)

Materials: Chassis parts are die-formed code gauge cold rolled steel.

Housing is reinforced for rigidity. **Reflector**—one-piece virgin acrylic.

Finish: Chassis exterior—white baked polyester enamel. **Cavity**—white baked polyester enamel minimum reflectance 86%. Phosphate undercoating.

Lens: One-piece extruded prismatic pattern 12 bottom and linear prism side walls.

Electrical: Thermally protected class "P" ballast C.B.M. approved, non PCB. If K.O. is within 3" of ballast, use wire suitable for at least 90°.

Labels: I.B.E.W./UL and ULc Listed.

This product may have a mercury containing lamp. Manage in accord with Disposal Laws. See: www.lamprecycle.org

Job Information	Type:
-----------------	-------