

Narrow aperture with balanced illumination and versatility.

LCS6G20LW154
LYTECEL 6



6" X 48" 20 CELL (1 ROW) PARABOLIC LOUVER FLUORESCENT
FOR CONTINUOUS ROW MOUNTING
AIR RETURN/STATIC
1 LAMP T5, IES RP1 FOR VDT AREAS

Lytecel 6 Continuous (LC) features a low brightness 20 cell parabolic louver that has an opening of only 4 1/4" wide and a length of 48". When mounted in continuous rows it creates an uninterrupted continuous louver appearance. It will fit most 6" wide lay-in or slot grid ceiling systems and has unique aligning and clamping hardware that creates the proper fit of the fixture into the ceiling system.

Project: _____
 Location: _____
 Catalog No: _____
 Fixture Type: _____
 Mfg: _____ Lamps: _____ Qty: _____
 Notes: _____

Ordering Guide

Explanation of Catalog Number Example: LCS6G20LW154

Family	Body Style	Fixture Width	Ceiling Type	Number of Cells	Louver Finish	Reflector	Lamp Qty	Lamp/ Fixture Length	Voltage	Ballast Type	Options
<input type="checkbox"/> LC	<input type="checkbox"/>	<input type="checkbox"/> 6	<input type="checkbox"/>	<input type="checkbox"/> 20	<input type="checkbox"/>	<input type="checkbox"/> W	<input type="checkbox"/> 1	<input type="checkbox"/>	<input type="checkbox"/>	<input type="checkbox"/>	<input type="checkbox"/>
Lytecel 6" Continuous Louver Appearance	A = Air Return S = Static	6 = 6"	G = 9/16" or 15/16" Grid T = Slot Grid	1 Row of 20 Cells	L = Low Iridescence Semi-specular P = Low Iridescence Specular	W = White	(By Others) 1 = 1 Lamp	28 = T5 54 = T5HO (Nominal 48")	UNV = 120/277V 120 = 120V 277 = 277V 347 = 347V	PG = 1 Lamp Elect. P.R.S., <10% THD DA = DALI Digital Addressable Dimming (347V N/A). For 347V Dimming, Consult Your Philips Lighting Representative.	Add Appropriate Suffix to Catalog No., i.e., F

LCS6G20LW154

LYTECEL 6

Features

- 48" long louver gives an uninterrupted louver appearance when row mounted. Ideal for continuous row applications.
- 54.9% efficient (1 lamp) semi-specular louver.
- 58.2% efficient (1 lamp) specular louver.
- 1.6 spacing mounting ratio.
- Semi-specular or specular, low iridescence, pre-anodized aluminum louver.
- Vertical grain on cross blades eliminates reflected lamp image.
- Spring loaded latches (self centering).
- Louver has protective dust guard.
- Only 5½" deep body.
- Air return models meet UL 1598, Paragraph 9.2.2.5 requirements.
- Black housing exterior for cooler ballast operating temperature.
- cULus Listed twin knockout access plate.
- Optional DALI ballast accepts digital dimming commands from computers, scene controllers and automatic control devices.

Specifications

Performance: In an installation of 1 lamp 54W semi-specular luminaires in a room cavity ratio of 1, reflectance 80% ceiling, 50% wall, 20% floor, the C.U. shall not be less than .60 with a spacing to mounting ratio of 1.6 perpendicular to the lamps. To meet IES RP-1 for VDT areas the VCP (visual comfort probability) shall not be less than 89 either crosswise or lengthwise and the candela value between 55° and 90° in the 0° to 90° planes shall not exceed 3605. Candelas at Nadir (0°) not to exceed 1040.

Materials: Chassis parts are die-formed cold rolled steel.

Air Handling: (LCA only) Side air passages for air return without black reveal.

Louvers: Pre-anodized aluminum.

Finish: Louver—specular or semi-specular low iridescence pre-anodized reflector sheet.

Reflector: White baked polyester enamel.

Chassis Exterior: Black baked polyester enamel.

Electrical: Thermally protected class "P" ballast C.B.M. approved, non PCB. If K.O. is within 3" of ballast, use wire suitable for at least 90°.

Labels: cULus Listed.

This product may have a mercury containing lamp. Manage in accord with Disposal Laws. See: www.lamprecycle.org

Options/Accessories

Coupler/Clamp: (Set of 2) Required for beginning of rows. Order Catalog Number: **LC85 CLAMP** (for G or T type).

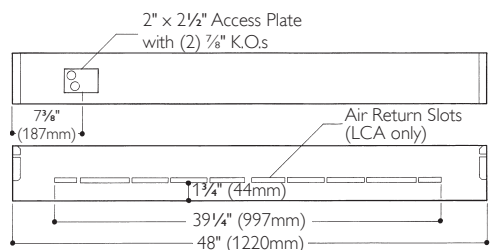
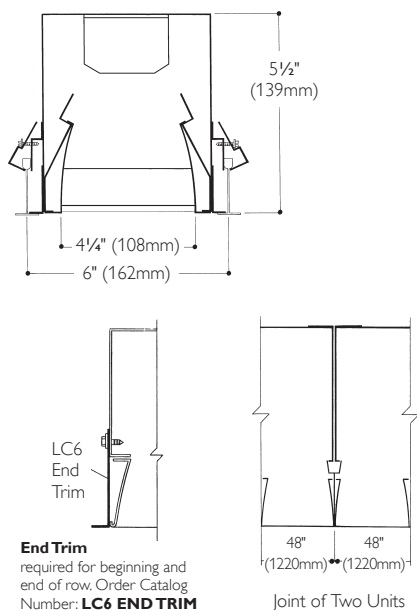
End Trim: Required at beginning and end of rows. For every row order 2. Order Catalog Number: **LC6 END TRIM**.

Electrical/Wiring Options: Consult your Philips Lighting representative.

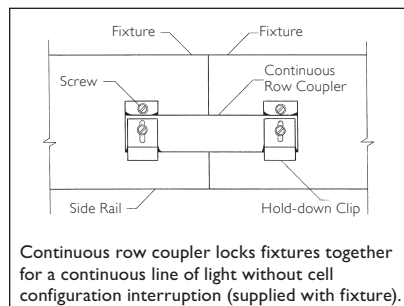
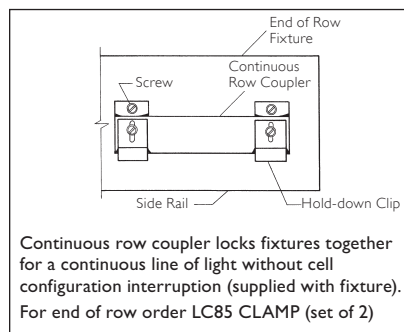
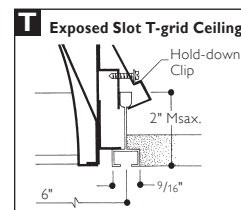
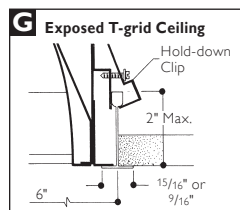
EM Pack or Dimming Ballast: Consult your Philips Lighting representative.

Fusing: Internal fast-blow fusing. Suffix: **F**.

Dimensions



Mounting Methods



Performance

Model No. LCS6G20LW154120PG

LER = FP-40.3 IW-59.00 BF-1.0
Comparative yearly lighting energy cost per 1000 lumens = \$5.95

Report Number: G1206004

Catalog Number: LCS6G20LW154120PG

Lamp: F54 T5HO

Luminaire: 6" wide troffer with semi-specular louver.

Ballast: Advance ICN-2S54
Report is based on 4400 lumens per lamp.

Efficiency: 54.9%

CIE Type: Direct-Indirect

Plane: 0 Deg. 90 Deg.

Spacing Criteria: 1.2 1.6

Shielding Angles: 90 90

Plane: 0 Deg. 90 Deg.

Luminous Length: 47.943 5.816

Candela Distribution

Angle	0.0	45.0	90.0	FLUX
0	1040	1040	1040	
5	1059	1075	1113	102
15	978	1069	1124	302
25	900	1081	1412	514
35	792	1193	1432	711
45	630	856	443	523
55	372	220	110	227
65	20	30	21	29
75	3	4	6	5
85	1	1	2	2
90	0	1	1	

Coefficients of Utilization

Ceiling	80%			50%			30%			
Wall	70	50	30	50	30	10	50	30	10	
RCR	Zonal Cavity Method— Effective Floor Cavity Reflectance = 0.20									
Room Cavity Ratio	1	61	60	58	56	55	54	54	53	52
	2	57	54	51	51	49	47	49	48	46
	3	53	49	45	47	44	42	45	43	41
	4	50	44	40	42	39	37	41	38	36
	5	46	40	36	39	35	33	38	35	32
	6	43	37	32	35	32	29	34	31	29
	7	40	33	29	32	29	26	32	28	26
	8	37	31	27	30	26	24	29	26	23
	9	35	28	24	27	24	21	27	24	21
	10	33	26	22	25	22	19	25	22	19

Luminance Data in Candela/Sq. Meter

Average in Deg.	Average 0 Deg.	Average 45 Deg.	Average 90 Deg.
45	4954.	6726.	3485.
55	3605.	2128.	1068.
65	264.	401.	278.
75	63.	84.	135.
85	41.	69.	124.

Zonal Lumen Summary

Zone	Lumens	% Lamp	% Fixt
0-30	918	20.9	38.0
0-40	1629	37.0	67.5
0-60	2379	54.1	98.5
0-90	2414	54.9	100.0
90-180	0	0.0	0.0
0-180	2414	54.9	100.0

Typical V.C.P.'s

Room Size	Mounting Height							
	Lengthwise				Crosswise			
	Luminaires 0 Deg. Plane				Luminaires 90 Deg. Plane			
	8.5	10	8.5	10	8.5	10	8.5	10
30x30	89	85	84	76	96	93	92	84
40x40	89	86	85	81	96	93	93	87
60x30	80	86	85	79	96	93	92	85
60x60	89	86	84	81	96	94	93	88
100x100	89	86	84	82	96	95	94	88

Performance

Model No. LCS6G20PW154120PG

LER = FP-43.4 IW-59.0 BF-1.0
Comparative yearly lighting energy cost per 1000 lumens = \$5.53

Report Number: G1206005

Catalog Number: LCS6G20PW154120PG

Lamp: F54 T5HO

Luminaire: 6" wide troffer with specular louver.

Ballast: Advance ICN-2S54
Report is based on 4400 lumens per lamp.

Efficiency: 58.2%

CIE Type: Direct-Indirect

Plane: 0 Deg. 90 Deg.

Spacing Criteria: 1.2 1.6

Shielding Angles: 90 90

Plane: 0 Deg. 90 Deg.

Luminous Length: 47.943 5.816

Candela Distribution

Angle	0.0	45.0	90.0	FLUX
0	1052	1052	1052	
5	1082	1101	1094	103
15	1029	1102	1130	306
25	927	1090	1491	532
35	829	1350	1617	782
45	668	965	431	568
55	446	217	95	244
65	1	30	18	20
75	1	3	7	4
85	1	2	3	2
90	0	1	1	

Coefficients of Utilization

Ceiling	80%			50%			30%			
Wall	70	50	30	50	30	10	50	30	10	
RCR	Zonal cavity method—Effective floor cavity reflectance = 0.20									
Room Cavity Ratio	1	65	63	61	60	58	57	57	56	55
	2	61	57	54	54	52	50	52	51	49
	3	57	52	48	49	46	44	48	45	43
	4	53	47	43	45	41	39	44	41	38
	5	49	43	38	41	37	34	40	37	34
	6	45	39	34	37	34	31	36	33	30
	7	42	35	31	34	30	28	33	30	27
	8	39	32	28	31	28	25	31	27	25
	9	37	30	25	29	25	22	28	25	22
	10	35	28	23	27	23	20	26	23	20

Luminance Data in Candela/Sq. Meter

Average in Deg.	Average 0 Deg.	Average 45 Deg.	Average 90 Deg.
45	5251.	7583.	3387.
55	4318.	2106.	923.
65	10.	397.	242.
75	14.	75.	159.
85	45.	103.	192.

Zonal Lumen Summary

Zone	Lumens	% Lamp	% Fixt
0-30	942	21.4	36.8
0-40	1724	39.2	67.3
0-60	2536	57.6	99.0
0-90	2563	58.2	100.0
90-180	0	0.0	0.0
0-180	2942	51.6	100.0

Typical V.C.P.'s

Room Size	Mounting Height Lengthwise Crosswise							
	Luminaires 0 Deg. Plane				Luminaires 90 Deg. Plane			
	8.5	10	8.5	10	8.5	10	8.5	10
30x30	87	76	78	75	96	93	93	84
40x40	87	76	78	79	97	93	93	87
60x30	87	76	78	79	96	93	93	85
60x60	88	77	79	79	96	94	94	88
100x100	88	77	79	79	95	94	95	89



© 2013 Koninklijke Philips N.V. All rights reserved.
Specifications are subject to change without notice.
www.philips.com/luminaires

Philips Lighting Company
200 Franklin Square Drive
Somerset, NJ 08873
Phone: 855-486-2216

Philips Lighting Company
281 Hillmount Road
Markham ON, Canada L6C 2S3
Phone: 800-668-9008