



Ceiling mounted test switch provided standard, add EM suffix to new construction frame-in kit (example: C4RNEM). Reflector mounted test switch available on some trim types, see below table for availability and restrictions, add EM suffix to reflector trim where available (example: C4RDLCCEM).

Project: _____

Location: _____

Cat.No: _____

Type: _____

Lamps: _____ Qty: _____

Notes: _____

Calculite LED compatibility

| Calculite LED gen 3 Round & Square (new construction frames only) | | Initial luminaire EM lumens (3500K) | Ceiling mount with EM Test button | Reflector trim mount with EM Test button |
|--|---------------------------------|--|--------------------------------------|---|
| 4" | 500-3000lm options, all beams | 930 lm | Standard | Available ² |
| 6" & 7" | 1000-6000lm, Narrow beam | 950-990 lm ¹ | Standard | Available ² |
| 6" & 7" | 1000-6000lm, Medium & Wide beam | 1020-1180 lm ¹ | Standard | Available ² |

LyteProfile LED compatibility

| LyteProfile (new construction frames only) | | Initial luminaire EM lumens (3500K) | Ceiling mount with EM Test button | Reflector trim mount with EM Test button |
|---|---------------|--|--------------------------------------|---|
| 4" | P4RD10 Series | 875 lm | Standard | Not Available |
| 6" | P6RD15 Series | 916 lm | Standard | Not Available |

1. Varies depending on lumen package.
2. The 4" and 6" require above ceiling access to install test button.

Features

Battery pack: Provides 90 minutes of lighting when AC power fails. Meets National Electrical and Life Safety Codes. Can be accessed and replaced below-ceiling. Compatible with both 120V/277V.

Mounting: Mounts to frame-in kit mounting bracket.

Test switch/charge light: Can be installed in compatible reflectors (EM suffix required) or ceiling. All required components included for both installations.

Max ceiling thickness:

- 4" Aperture (round only): 1-1/2"
- 6" Aperture (round only): 2-1/2"
- 7" Aperture (round only): 2-3/4"

Options and Accessories

For field install emergency battery kits:

CAEM: EM pack for Calculite LED gen 3

Labels and Listings

UL listed for damp locations only.

Not approved for Chicago plenum applications.

Warranty

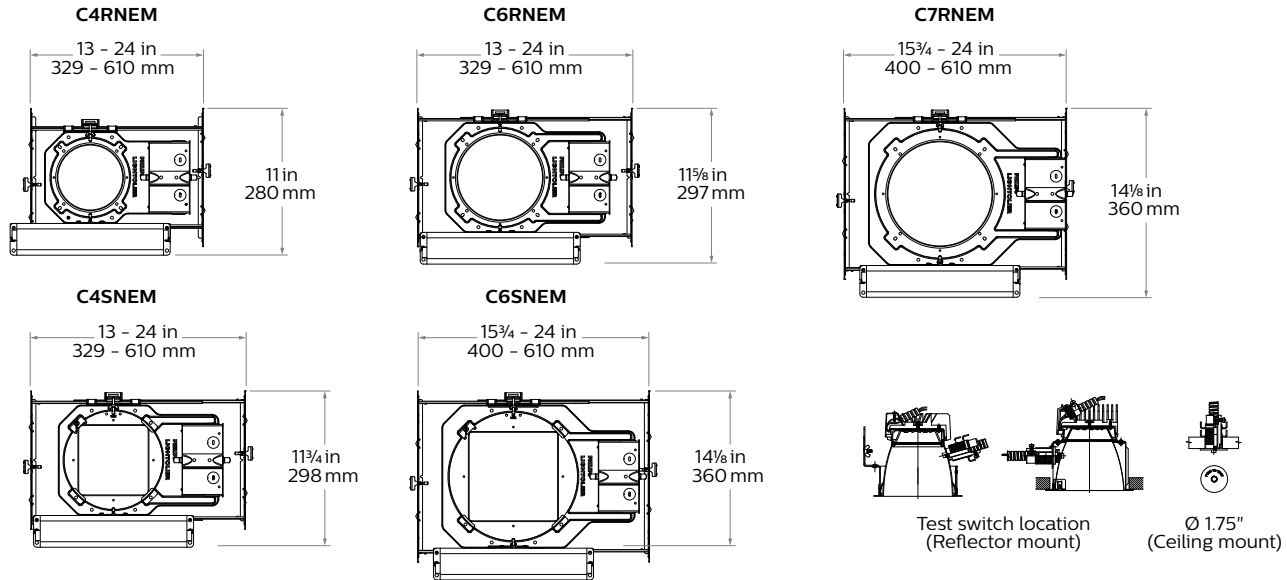
5 year warranty on complete system.

Complete warranty available at: http://images.philips.com/is/content/PhilipsConsumer/PDFDownloads/United%20States/ODLI20150930_003-UPD-en_US-Philips-warranty-indoor-PLS-us.pdf

LED-EM Calculite LED and LyteProfile LED

Emergency Battery Pack

Calculite LED dimensions



LyteProfile LED dimensions

