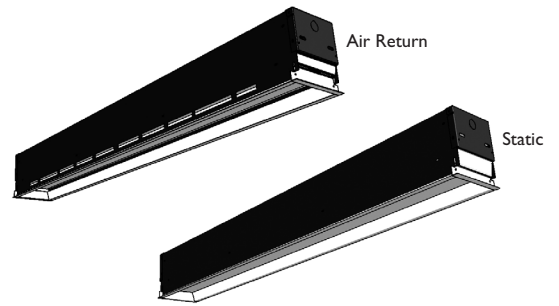


# Narrow aperture with balanced illumination and versatility.

LIA6GPNXR154 OR 254  
LYTECEL 6 LENS



6" X 48" RECESSED LENS FLUORESCENT  
AIR RETURN/STATIC  
1 OR 2 LAMP T5HO

Lytecel 6 Lens offers a lens opening that is only 4 1/4" wide in a recessed body that is just 6" deep. The body is constructed of 20 gauge steel with an exterior that is painted black for a cooler ballast operating temperature. The body has a UL-Listed twin knockout access plate and 2 hold-down clips standard.

Project: \_\_\_\_\_  
 Location: \_\_\_\_\_  
 Catalog No: \_\_\_\_\_  
 Fixture Type: \_\_\_\_\_  
 Mfg: \_\_\_\_\_ Lamps: \_\_\_\_\_ Qty: \_\_\_\_\_  
 Notes: \_\_\_\_\_

## Ordering Guide

Explanation of Catalog Number Example: LIA6GPNXR154UNVPG

Family	Body Style	Fixture Width	Ceiling Type	Lens Type		Reflector	Lamp Qty	Lamp/ Fixture Length	Voltage	Ballast Type	Options
LI		6		PN	X	R		54			
Lytecel	A = Air Return S = Static	6 = 6"	G = 9/16" or 15/16" Grid T = Slot Grid D = 9/16" Tegular Grid	PN = .08 White Acrylic		R = Micro Aluminum Reflector	(By Others) 1 = 1 Lamp 2 = 2 Lamp	54 = T5HO (Nominal 48")	UNV = 120/277V 120 = 120V 277 = 277V 347 = 347V	PG = 1 or 2 Lamp Elect. PRS in UNV Only DA = DALI Digital Addressable Dimming (347V N/A) For 347V Dimming, Consult Your Philips Lighting Representative.	Add Appropriate Suffix to Catalog No., i.e., F

# LIA6GPNXR154 OR 254 LYTECEL 6 LENS

## Features

- Non-visible return air openings.
- Air return lens regressed 1 $\frac{1}{8}$ ", static regressed 1 $\frac{3}{16}$ ".
- Air return models meet UL 1598, Paragraph 9.2.2.5 requirements.
- Extruded aluminum fixture trim flat white polyester powder coated.
- Extruded .080 white opalescent acrylic lens.
- Only 6" deep body.
- 63.9% efficient 1 lamp 54W T5HO with PN lens.
- 95% reflective Miro aluminum ballast reflector.
- 20 gauge steel housing.
- Black housing exterior for cooler ballast operating temperature.
- cULus Listed twin knockout access plate.
- 2 hold-down clips standard.
- Can be mounted in rows with Cross Tees every 4'.
- Compatible with **Armstrong TECHZONE™** ceiling systems.
- Optional DALI ballast accepts digital dimming commands from computers, scene controllers and automatic control devices.
- Lens only available for the individual unit, not for LC model.

## Specifications

**Performance:** In an installation of 1 lamp 54W luminaire in a room cavity ratio of 1, reflectance 80% ceiling, 50% wall, 20% floor, the C.U. shall not be less than .67 with a spacing to mounting ratio of 1.1 perpendicular to the lamps.

**Materials:** Chassis parts are 20 gauge cold rolled steel.

**Air Handling:** Side air passages for air return.

**Reflector:** 95% reflective Micro aluminum reflector.

**Chassis Exterior:** Black baked polyester enamel.

**Electrical:** Thermally protected class "P" ballast C.B.M. approved, non PCB. If K.O. is within 3" of ballast, use wire suitable for at least 90°.

**Labels:** cULus Listed.

This product may have a mercury containing lamp. Manage in accord with Disposal Laws. See: [www.lamprecycle.org](http://www.lamprecycle.org)

## Options/Accessories

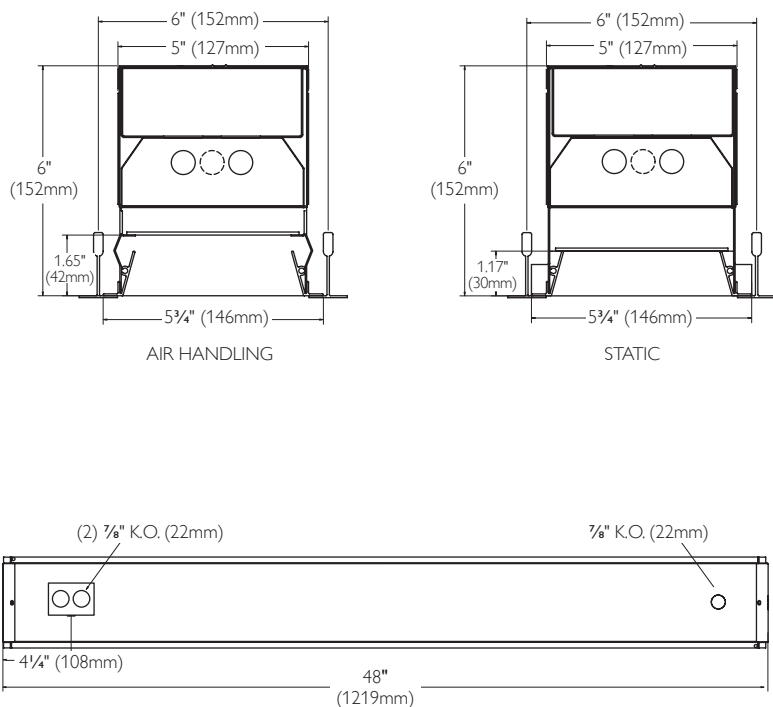
**Electrical/Wiring Options:** Consult your Philips Lighting representative.

**EM Pack or Dimming Ballast:** Consult your Philips Lighting representative.

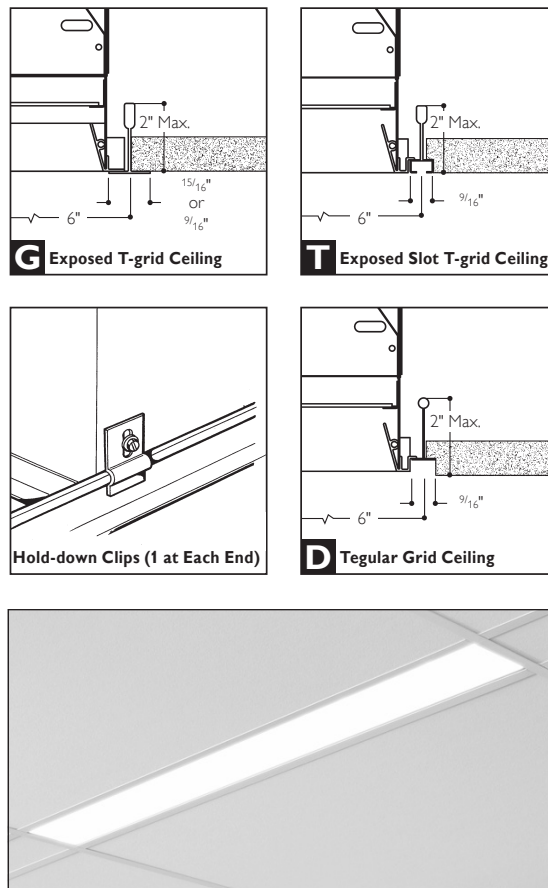
**Fusing:** Internal fast-blow fusing. Suffix: **F**.

**Drywall Kit:** For plaster frames, order catalog number: **FK906X4**.

## Dimensions



## Mounting Methods



# LIA6GPNXR154 OR 254 LYTECEL 6 LENS

## Performance

### Model No. LIA6GPNXR154UNVPG

LER = FP-51.3 IW-54.79 BF-1.0  
Comparative yearly lighting energy cost per 1000 lumens = \$4.68

Report Number: G2008043

Catalog Number: LIA6GPNXR154UNVPG

Lamp: (1) F54 T5HO

Luminaire: 6" wide troffer with PN lens.

Ballast: B254PUNV-D

Report is based on 4400 lumens per lamp.

Efficiency: 63.9%

CIE Type: Direct-Indirect

Plane: 0 Deg. 90 Deg.

Spacing Criteria: 1.2 1.1

Shielding Angles: 90 90

Plane: 0 Deg. 90 Deg.

Luminous Length: 46.800 4.560

#### Candela Distribution

Angle	0.0	45.0	90.0	FLUX
0	1186	1186	1186	
5	1166	1176	1182	112
15	1119	1111	1000	313
25	1034	988	951	457
35	914	827	799	529
45	768	667	616	522
55	597	478	410	433
65	404	274	204	283
75	198	89	93	129
85	31	30	25	33
90	3	9	12	

#### Luminance Data in Candela/Sq. Meter

Average in Deg.	Average 0 Deg.	Average 45 Deg.	Average 90 Deg.
45	7886.	6849.	6325.
55	7557.	6051.	5190.
65	6941.	4707.	3505.
75	5554.	2497.	2609.
85	2582.	2499.	2083.

#### Coefficients of Utilization

Ceiling	80%			50%			30%			
	70	50	30	50	30	10	50	30	10	
RCR	Zonal Cavity Method— Effective Floor Cavity Reflectance = 0.20									
Room Cavity Ratio	1	70	67	65	63	61	60	61	59	58
	2	64	59	55	56	53	50	54	51	49
	3	59	52	48	50	46	43	48	45	42
	4	54	47	41	44	40	37	43	39	36
	5	50	42	37	40	35	32	39	35	32
	6	46	38	32	36	32	28	35	31	28
	7	43	35	29	33	28	25	32	28	25
	8	40	32	26	30	26	23	30	25	22
	9	37	29	24	28	24	20	27	23	20
	10	35	27	22	26	22	19	25	21	18

#### Zonal Lumen Summary

Zone	Lumens	% Lamp	% Fixt
0-30	882	20.0	31.4
0-40	1410	32.1	50.2
0-60	2366	53.8	84.2
0-90	2811	63.9	100.0
90-180	0	0.0	0.0
0-180	2811	63.9	100.0

### Model No. LIA6GPNXR254UNVPG

LER = FP-44.7 IW-93.9 BF-1.00  
Comparative yearly lighting energy cost per 1000 lumens = \$5.37

Report Number: G2008058

Catalog Number: LIA6GPNXR254UNVPG

Lamp: (2) F54 T5HO

Luminaire: 6" wide troffer with PN lens.

Ballast: B254PUNV-D

Report is based on 4400 lumens per lamp.

Efficiency: 47.7%

CIE Type: Direct-Indirect

Plane: 0 Deg. 90 Deg.

Spacing Criteria: 1.2 1.1

Shielding Angles: 90 90

Plane: 0 Deg. 90 Deg.

Luminous Length: 46.800 4.560

#### Candela Distribution

Angle	0.0	45.0	90.0	FLUX
0	1767	1767	1767	
5	1741	1753	1760	167
15	1672	1655	1635	467
25	1545	1472	1415	681
35	1367	1233	1195	789
45	1146	998	926	781
55	889	719	613	649
65	598	408	302	422
75	292	139	140	192
85	43	45	38	49
90	6	14	18	

#### Luminance Data in Candela/Sq. Meter

Average in Deg.	Average 0 Deg.	Average 45 Deg.	Average 90 Deg.
45	11767.	10472.	9508.
55	11253.	9101.	7759.
65	10273.	7009.	5188.
75	8191.	3899.	3927.
85	3582.	3749.	3166.

#### Coefficients of Utilization

Ceiling	80%			50%			30%			
	70	50	30	50	30	10	50	30	10	
RCR	Zonal Cavity Method— Effective Floor Cavity Reflectance = 0.20									
Room Cavity Ratio	1	52	50	48	47	45	44	45	44	43
	2	48	44	41	42	39	37	40	38	36
	3	44	39	36	37	34	32	36	33	31
	4	40	35	31	33	30	27	32	29	27
	5	37	31	27	30	26	24	29	27	24
	6	34	28	24	27	24	21	26	23	21
	7	32	26	22	25	21	19	24	21	19
	8	30	24	20	23	19	17	22	19	17
	9	28	22	18	21	18	15	20	17	15
	10	26	20	16	19	16	14	19	16	14

#### Zonal Lumen Summary

Zone	Lumens	% Lamp	% Fixt
0-30	1314	14.9	31.3
0-40	2104	23.9	50.1
0-60	3534	40.2	84.2
0-90	4197	47.7	100.0
90-180	0	0.0	0.0
0-180	4197	53.0	100.0



© 2013 Koninklijke Philips N.V. All rights reserved.  
Specifications are subject to change without notice.  
www.philips.com/luminaires

Philips Lighting Company  
200 Franklin Square Drive  
Somerset, NJ 08873  
Phone: 855-486-2216

Philips Lighting Company  
281 Hillmount Road  
Markham ON, Canada L6C 2S3  
Phone: 800-668-9008