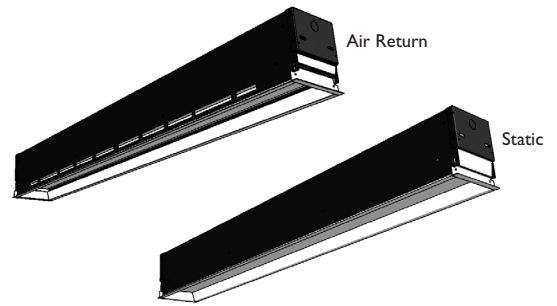


Narrow aperture with balanced illumination and versatility.

LIA6GPNXR128 OR 228
LYTECEL 6 LENS



6" X 18" RECESSED LENS FLUORESCENT
AIR RETURN/STATIC
1 OR 2 LAMP T5

Lytecel 6 Lens offers a lens opening that is only 4 1/4" wide in a recessed body that is just 6" deep. The body is constructed of 20 gauge steel with an exterior that is painted black for a cooler ballast operating temperature. The body has a UL-Listed twin knockout access plate and 2 hold-down clips standard.

Project: _____
 Location: _____
 Catalog No: _____
 Fixture Type: _____
 Mfg: _____ Lamps: _____ Qty: _____
 Notes: _____

Ordering Guide

Explanation of Catalog Number Example: LIA6GPNXR128UNVPG

Family	Body Style	Fixture Width	Ceiling Type	Lens Type		Reflector	Lamp Qty	Lamp/ Fixture Length	Voltage	Ballast Type	Options
LI		6		PN	X	R		28			
Lytecel	A = Air Return S = Static	6 = 6"	G = 9/16" or 15/16" Grid T = Slot Grid D = 9/16" Tegular Grid	PN = .08 White Acrylic		R = Micro Aluminim Reflector	1 = 1 Lamp 2 = 2 Lamp	28 = T5 (Nominal 48")	UNV = 120/277V 120 = 120V 277 = 277V 347 = 347V	PG = 1 or 2 Lamp Elect. PRS in UNV Only DA = DALI Digital Addressable Dimming (347V N/A). For 347V Dimming, Consult Your Philips Lighting Representative.	Add Appropriate Suffix to Catalog No., i.e., F

LIA6GPNXR128 OR 228 LYTECEL 6 LENS

Features

- Non-visible return air openings.
- Air return lens regressed 1 $\frac{1}{8}$ " , static regressed 1 $\frac{3}{16}$ ".
- Air return models meet UL 1598, Paragraph 9.2.2.5 requirements.
- Extruded aluminum fixture trim flat white polyester powder coated.
- Extruded .080 white opalescent acrylic lens.
- Only 6" deep body.
- 72.7% efficient 1 lamp 28 Watt T5 with PN lens.
- 95% reflective Miro aluminum ballast reflector.
- 20 gauge steel housing.
- Black housing exterior for cooler ballast operating temperature.
- cULus Listed twin knockout access plate.
- 2 hold-down clips standard.
- Can be mounted in rows with Cross Tees every 4'.
- Compatible with **Armstrong TECHZONE™** ceiling systems.
- Optional DALI ballast accepts digital dimming commands from computers, scene controllers and automatic control devices.
- Lens only available for the individual unit, not for LC model.

Specifications

Performance: In an installation of 1 lamp 28W luminaire in a room cavity ratio of 1, reflectance 80% ceiling, 50% wall, 20% floor, the C.U. shall not be less than .77 with a spacing to mounting ratio of 1.1 perpendicular to the lamps.

Materials: Chassis parts are 20 gauge cold rolled steel.

Air Handling: Side air passages for air return.

Reflector: 95% reflective Micro aluminum reflector.

Chassis Exterior: Black baked polyester enamel.

Electrical: Thermally protected class "P" ballast C.B.M. approved, non PCB. If K.O. is within 3" of ballast, use wire suitable for at least 90°.

Labels: cULus and ULc Listed.

This product may have a mercury containing lamp. Manage in accord with Disposal Laws. See: www.lamprecycle.org

Options/Accessories

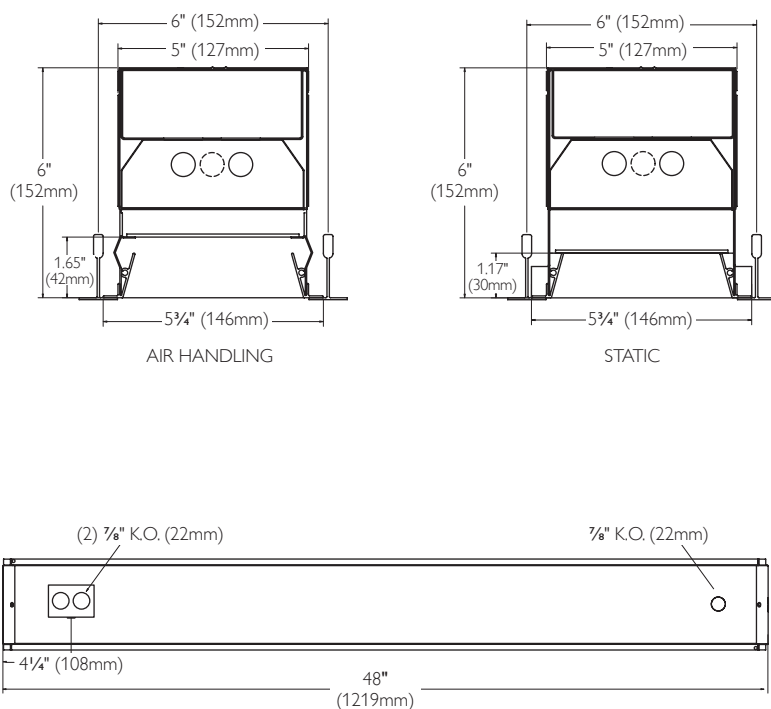
Electrical/Wiring Options: Consult your Philips Lighting representative.

EM Pack or Dimming Ballast: Consult your Philips Lighting representative.

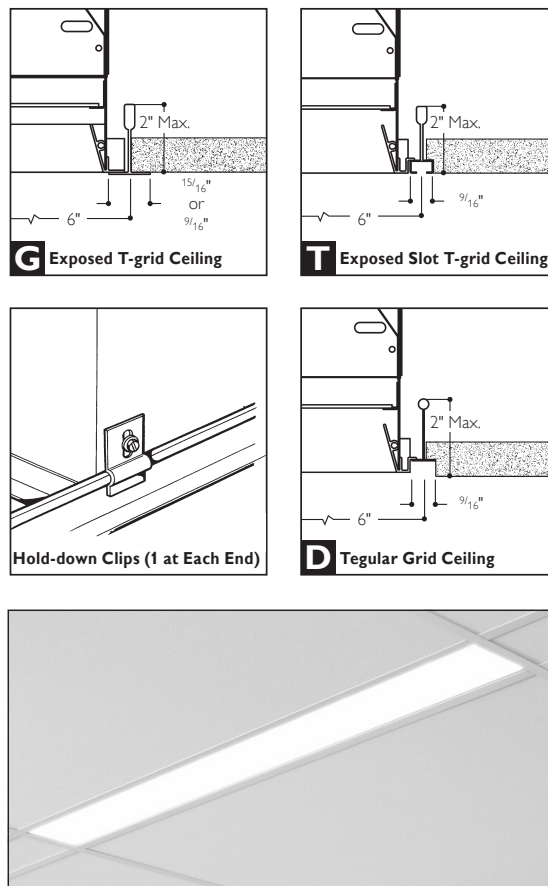
Fusing: Internal fast-blow fusing. Suffix: **F**.

Drywall Kit: For plaster frames, order catalog number: **FK906X4**.

Dimensions



Mounting Methods



Performance

Model No. LIA6GPNXR128UNVPG

LER = FP-62.5 IW-31.99 BF-1.00
Comparative yearly lighting energy cost per 1000 lumens = \$3.84

Report Number: G2008084
Catalog Number: LIA6GPNXR128UNVPG
Lamp: F28 T5

Luminaire: 6" wide troffer with PN lens.

Ballast: B228PUNV-C
Report is based on 2750 lumens per lamp.

Efficiency: 72.7%

CIE Type: Direct-Indirect

Plane: 0 Deg. 90 Deg.

Spacing Criteria: 1.2 1.1

Shielding Angles: 90 90

Plane: 0 Deg. 90 Deg.

Luminous Length: 46.800 4.560

Candela Distribution

Angle	0.0	45.0	90.0	FLUX
0	844	844	844	
5	831	837	840	80
15	798	791	782	223
25	737	702	675	325
35	652	588	568	376
45	548	474	438	371
55	424	340	292	309
65	286	194	146	201
75	139	66	66	91
85	21	21	18	24
90	3	7	8	

Luminance Data in Candela/Sq. Meter

Average in Deg.	Average 0 Deg.	Average 45 Deg.	Average 90 Deg.
45	5627.	4867.	4497.
55	5367.	4304.	3696.
65	4913.	3333.	2508.
75	3899.	1851.	1851.
85	1749.	1749.	1499.

Coefficients of Utilization

Ceiling	80%			50%			30%			
	70	50	30	50	30	10	50	30	10	
Wall										
RCR	Zonal Cavity Method— Effective Floor Cavity Reflectance = 0.20									
Room Cavity Ratio	1	80	77	74	72	70	68	69	67	66
	2	73	67	63	64	60	57	61	58	56
	3	67	60	54	56	52	48	55	51	48
	4	62	53	47	51	46	42	49	45	41
	5	57	48	42	46	40	36	44	40	36
	6	53	43	37	41	36	32	40	35	32
	7	49	39	33	38	32	29	37	32	28
	8	46	36	30	35	29	26	34	29	26
	9	43	33	27	32	27	23	31	26	23
	10	40	31	25	30	25	21	29	24	21

Zonal Lumen Summary

Zone	Lumens	% Lamp	% Fixt
0-30	627	22.8	31.4
0-40	1004	36.5	50.2
0-60	1683	61.2	84.2
0-90	2000	72.7	100.0
90-180	0	0.0	0.0
0-180	2000	72.7	100.0

Model No. LIA6GPNXR228UNVPG

LER = FP-56.4 IW-56.21 BF-1.00
Comparative yearly lighting energy cost per 1000 lumens = \$4.25

Report Number: G2008075
Catalog Number: LIA6GPNXR228UNVPG
Lamp: (2) F28 T5

Luminaire: 6" wide troffer with PN lens.

Ballast: B228PUNV-C
Report is based on 2750 lumens per lamp.

Efficiency: 57.6%

CIE Type: Direct-Indirect

Plane: 0 Deg. 90 Deg.

Spacing Criteria: 1.2 1.1

Shielding Angles: 90 90

Plane: 0 Deg. 90 Deg.

Luminous Length: 46.800 4.560

Candela Distribution

Angle	0.0	45.0	90.0	FLUX
0	1342	1342	1342	
5	1322	1331	1337	126
15	1270	1256	1240	354
25	1172	1114	1070	516
35	1038	929	901	596
45	871	751	698	589
55	676	539	455	488
65	458	305	225	317
75	225	100	104	145
85	35	32	30	37
90	4	11	13	

Luminance Data in Candela/Sq. Meter

Average in Deg.	Average 0 Deg.	Average 45 Deg.	Average 90 Deg.
45	8943.	7711.	7167.
55	8557.	6823.	5759.
65	7868.	5240.	3865.
75	2912.	2805.	2917.
85	2916.	2666.	2499.

Coefficients of Utilization

Ceiling	80%			50%			30%			
	70	50	30	50	30	10	50	30	10	
Wall										
RCR	Zonal Cavity Method— Effective Floor Cavity Reflectance = 0.20									
Room Cavity Ratio	1	63	61	58	57	55	54	55	53	52
	2	58	53	50	50	48	45	49	46	44
	3	53	47	43	45	41	38	43	40	38
	4	49	42	37	40	36	33	39	35	33
	5	45	38	33	36	32	29	35	31	29
	6	42	34	29	33	29	25	32	28	25
	7	39	31	26	30	26	23	29	25	22
	8	36	29	24	27	23	20	27	23	20
	9	34	26	22	25	21	18	25	21	18
	10	32	24	20	23	19	17	23	19	17

Zonal Lumen Summary

Zone	Lumens	% Lamp	% Fixt
0-30	996	18.1	31.4
0-40	1593	29.0	50.3
0-60	2670	48.5	84.3
0-90	3168	57.6	100.0
90-180	0	0.0	0.0
0-180	3168	57.6	100.0



© 2013 Koninklijke Philips N.V. All rights reserved.
Specifications are subject to change without notice.
www.philips.com/luminaires

Philips Lighting Company
200 Franklin Square Drive
Somerset, NJ 08873
Phone: 855-486-2216

Philips Lighting Company
281 Hillmount Road
Markham ON, Canada L6C 2S3
Phone: 800-668-9008