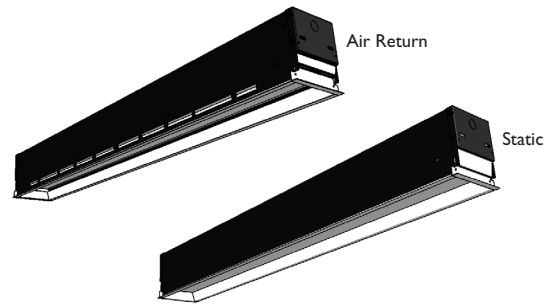


# Narrow aperture with balanced illumination and versatility.

LIA6GPNXR132 OR 232  
LYTECEL 6 LENS



6" X 48" RECESSED LENS FLUORESCENT  
AIR RETURN/STATIC  
1 OR 2 LAMP T8

Lytecel 6 Lens offers a lens opening that is only 4 1/4" wide in a recessed body that is just 6" deep. The body is constructed of 20 gauge steel with an exterior that is painted black for a cooler ballast operating temperature. The body has a UL-Listed twin knockout access plate and 2 hold-down clips standard.

Project: \_\_\_\_\_  
 Location: \_\_\_\_\_  
 Catalog No: \_\_\_\_\_  
 Fixture Type: \_\_\_\_\_  
 Mfg: \_\_\_\_\_ Lamps: \_\_\_\_\_ Qty: \_\_\_\_\_  
 Notes: \_\_\_\_\_

## Ordering Guide

Explanation of Catalog Number Example: LIA6GPNXR132UNVHI

Family	Body Style	Fixture Width	Ceiling Type	Lens Type		Reflector	Lamp Qty	Lamp/ Fixture Length	Voltage	Ballast Type	Options
LI		6		PN	X	R		32			
Lytecel	A = Air Return S = Static	6 = 6"	G = 9/16" or 15/16" Grid T = Slot Grid D = 9/16" Tegular Grid	PN = .08 White Acrylic		R = Micro Aluminum Reflector	(By Others) 1 = 1 Lamp 2 = 2 Lamp	32 = T8 (Nominal 48")	UNV = 120/277V 120 = 120V 277 = 277V 347 = 347V	HI = 1 or 2 Lamp Elect. I.S., <10% THD PS = Dimming (347V N/A) DA = DALI Digital Addressable Dimming (347V N/A) For 347V Dimming, Consult Your Philips Lighting Representative.	Add Appropriate Suffix to Catalog No., i.e., F

# LIA6GPNXR132 OR 232 LYTECEL 6 LENS

## Features

- Non-visible return air openings.
- Air return lens regressed 1<sup>5</sup>/<sub>8</sub>" , static regressed 1<sup>3</sup>/<sub>16</sub>".
- Air return models meet UL 1598, Paragraph 9.2.2.5 requirements.
- Extruded aluminum fixture trim flat white polyester powder coated.
- Extruded .080 white opalescent acrylic lens.
- Only 6" deep body.
- 62.2% efficient 1 lamp 32W T8 with PN lens.
- 95% reflective Miro aluminum ballast reflector.
- 20 gauge steel housing.
- Black housing exterior for cooler ballast operating temperature.
- cULus Listed twin knockout access plate.
- 2 hold-down clips standard.
- Can be mounted in rows with Cross Tees every 4'.
- Compatible with **Armstrong TECHZONE™** ceiling systems.
- Optional DALI ballast accepts digital dimming commands from computers, scene controllers and automatic control devices.
- Lens only available for the individual unit, not for LC model.

## Specifications

**Performance:** In an installation of 1 lamp 32W luminaire in a room cavity ratio of 1, reflectance 80% ceiling, 50% wall, 20% floor, the C.U. shall not be less than .66 with a spacing to mounting ratio of 1.1 perpendicular to the lamps.

**Materials:** Chassis parts are 20 gauge cold rolled steel.

**Air Handling:** Side air passages for air return.

**Reflector:** 95% reflective Micro aluminum reflector.

**Chassis Exterior:** Black baked polyester enamel.

**Electrical:** Thermally protected class "P" ballast C.B.M. approved, non PCB. If K.O. is within 3" of ballast, use wire suitable for at least 90°.

**Labels:** cULus Listed.

This product may have a mercury containing lamp. Manage in accord with Disposal Laws. See: [www.lamprecycle.org](http://www.lamprecycle.org)

## Options/Accessories

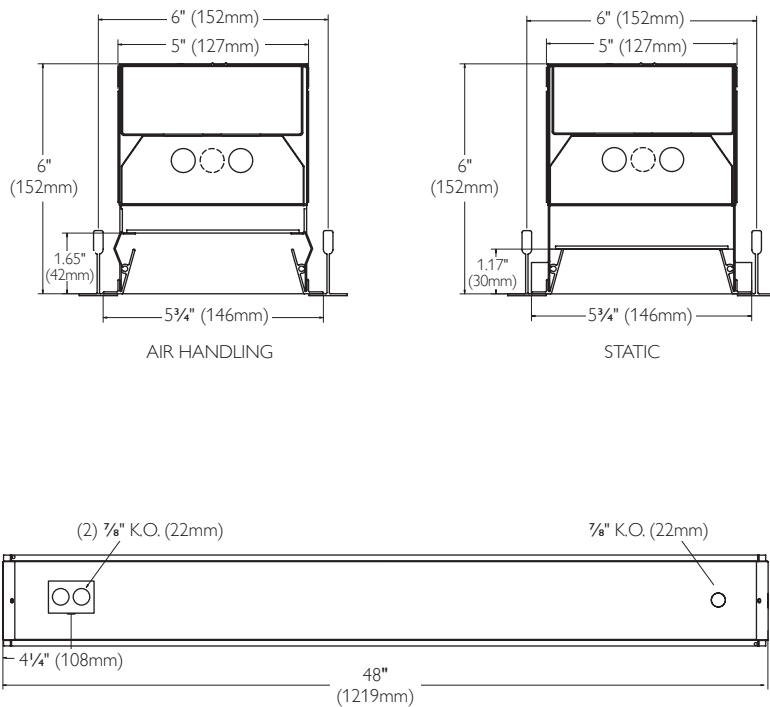
**Electrical/Wiring Options:** Consult your Philips Lighting representative.

**EM Pack or Dimming Ballast:** Consult your Philips Lighting representative.

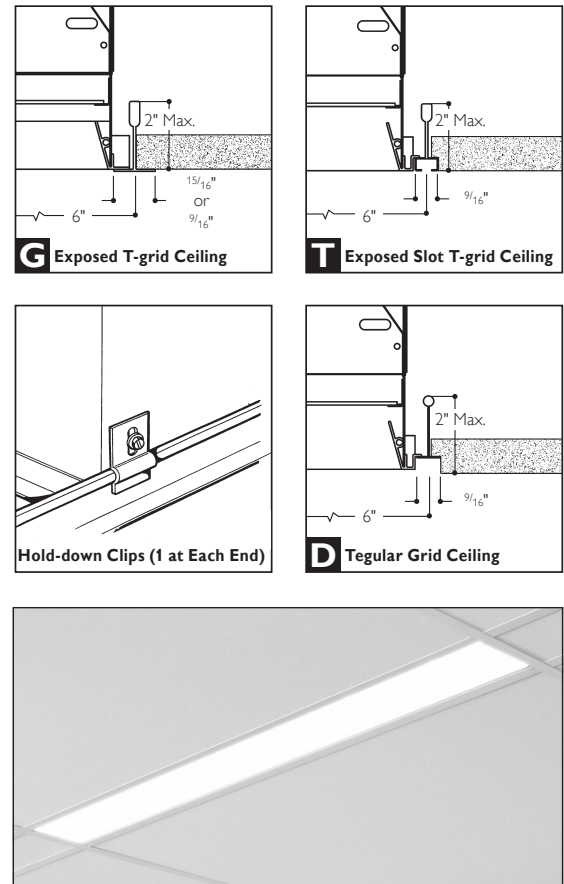
**Fusing:** Internal fast-blow fusing. Suffix: **F**.

**Drywall Kit:** For plaster frames, order catalog number: **FK906X4**.

## Dimensions



## Mounting Methods



## Performance

### Model No. LIA6GPNXR132UNVHI

LER = FP-51.2 IW-31.15 BF-90  
Comparative yearly lighting energy cost per 1000 lumens = \$4.86

Report Number: G2008095

Catalog Number: LIA6GPNXR132UNVHI

Lamp: (1) F32 T8

Luminaire: 6" wide troffer with PN lens.

Ballast: ICN-1P32-SC

Report is based on 2850 lumens per lamp.

Efficiency: 62.2%

CIE Type: Direct-Indirect

Plane: 0 Deg. 90 Deg.

Spacing Criteria: 1.2 1.1

Shielding Angles: 90 90

Plane: 0 Deg. 90 Deg.

Luminous Length: 46.800 4.560

#### Candela Distribution

Angle	0.0	45.0	90.0	FLUX
0	759	759	759	
5	749	749	756	71
15	718	704	696	199
25	633	624	597	289
35	586	520	501	334
45	491	419	388	329
55	380	300	256	273
65	257	170	127	177
75	127	55	58	81
85	20	18	16	20
90	2	6	7	

#### Luminance Data in Candela/Sq. Meter

Average in Deg.	Average 0 Deg.	Average 45 Deg.	Average 90 Deg.
45	5042.	4302.	3984.
55	4810.	3797.	3241.
65	4415.	2921.	2182.
75	3563.	1543.	1627.
85	1666.	1499.	1333.

#### Coefficients of Utilization

Ceiling	80%			50%			30%			
	70	50	30	50	30	10	50	30	10	
RCR	Zonal Cavity Method— Effective Floor Cavity Reflectance = 0.20									
Room Cavity Ratio	1	68	66	63	62	60	58	59	58	56
	2	63	58	54	54	51	49	52	50	48
	3	57	51	46	48	45	41	47	43	41
	4	53	46	40	43	39	36	42	38	35
	5	49	41	36	39	35	31	38	34	31
	6	45	37	32	35	31	28	34	30	27
	7	42	34	28	32	25	25	31	27	24
	8	39	31	26	30	25	22	29	25	22
	9	36	28	23	27	23	20	27	23	20
	10	34	26	21	25	21	18	25	21	18

#### Zonal Lumen Summary

Zone	Lumens	% Lamp	% Fixt
0-30	560	19.6	31.5
0-40	893	31.3	50.4
0-60	1496	52.5	84.3
0-90	1774	62.2	100.0
90-180	0	0.0	0.0
0-180	1774	62.2	100.0

### Model No. LIA6GPNXR232UNVHI

LER = FP-52.1 IW-52.9 BF-88  
Comparative yearly lighting energy cost per 1000 lumens = \$4.61

Report Number: G2008052

Catalog Number: LIA6GPNXR232UNVHI

Lamp: (2) F32 T8

Luminaire: 6" wide troffer with PN lens.

Ballast: ICN-2P32-SC

Report is based on 2850 lumens per lamp.

Efficiency: 54.9%

CIE Type: Direct-Indirect

Plane: 0 Deg. 90 Deg.

Spacing Criteria: 1.2 1.1

Shielding Angles: 90 90

Plane: 0 Deg. 90 Deg.

Luminous Length: 46.800 4.560

#### Candela Distribution

Angle	0.0	45.0	90.0	FLUX
0	1326	1326	1326	
5	1305	1314	1320	125
15	1252	1240	1227	350
25	1156	1102	1062	510
35	1022	923	894	591
45	857	746	691	584
55	664	531	453	482
65	448	300	221	311
75	220	98	102	142
85	34	33	27	36
90	4	10	134	

#### Luminance Data in Candela/Sq. Meter

Average in Deg.	Average 0 Deg.	Average 45 Deg.	Average 90 Deg.
45	8800.	7660.	7095.
55	8405.	6722.	5734.
65	7697.	5154.	3797.
75	6172.	2749.	2861.
85	2832.	2749.	2249.

#### Coefficients of Utilization

Ceiling	80%			50%			30%			
	70	50	30	50	30	10	50	30	10	
RCR	Zonal Cavity Method— Effective Floor Cavity Reflectance = 0.20									
Room Cavity Ratio	1	60	58	56	54	53	51	52	51	50
	2	55	51	48	48	45	43	47	44	42
	3	51	45	41	43	39	37	41	38	36
	4	47	40	36	38	35	32	37	34	31
	5	43	36	31	34	31	28	33	30	27
	6	40	33	28	31	27	24	30	27	24
	7	37	30	25	28	25	22	28	24	21
	8	34	27	23	26	22	19	25	22	19
	9	32	25	21	24	20	18	24	20	17
	10	30	23	19	21	19	16	22	18	16

#### Zonal Lumen Summary

Zone	Lumens	% Lamp	% Fixt
0-30	985	17.3	31.5
0-40	1576	27.7	50.3
0-60	2642	46.4	84.4
0-90	3131	54.9	100.0
90-180	0	0.0	0.0
0-180	3131	54.9	100.0



© 2013 Koninklijke Philips N.V. All rights reserved.  
Specifications are subject to change without notice.  
www.philips.com/luminaires

Philips Lighting Company  
200 Franklin Square Drive  
Somerset, NJ 08873  
Phone: 855-486-2216

Philips Lighting Company  
281 Hillmount Road  
Markham ON, Canada L6C 2S3  
Phone: 800-668-9008