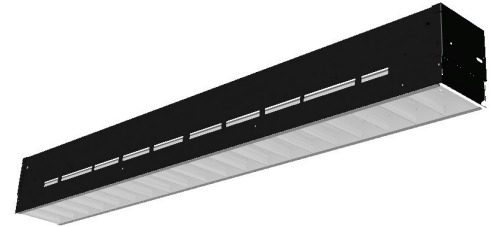


Narrow aperture with balanced illumination and versatility.

LIS6G20LW132
LYTECEL 6



Air Return Shown

6" X 48" 20 CELL (1 ROW) PARABOLIC LOUVER FLUORESCENT
FOR INDIVIDUAL 4' MOUNTING
AIR RETURN/STATIC
1 LAMP T8, IES RP1 FOR VDT AREAS

Lytecel 6 individual 6" x 48" features a low brightness 20 cell parabolic louver that has an opening that is only 4 1/4" wide. The precise contours provide photometrics that meet the IES requirements for lighting VDT areas. It fits most standard 6" x 48" lay-in ceiling systems plus Armstrong TECHZONE® ceiling systems.

Project: _____
 Location: _____
 Catalog No: _____
 Fixture Type: _____
 Mfg: _____ Lamps: _____ Qty: _____
 Notes: _____

Ordering Guide

Explanation of Catalog Number Example: LIS6G20LW132

Family	Body Style	Fixture Width	Ceiling Type	Number of Cells	Louver Finish	Reflector	Lamp Qty	Lamp/ Fixture Length	Voltage	Ballast Type	Options
LI		6		20		W	1	32			
Lytecel 6"	A = Air Return S = Static	6 = 6"	G = 9/16" or 15/16" Grid T = Slot Grid A = 9/16" Tegular Grid D = 15/16" Tegular Grid	20 = 1 Row of 20 Cells	L = Low Iridescence Semi-specular P = Low Iridescence Specular	W = White	(By Others) 1 = 1 Lamp	32 = T8 (Nominal 48")	UNV = 120/277V 120 = 120V 277 = 277V 347 = 347V	HI = 1 Lamp Elect. I.S., <10% THD DA = DALI Digital Addressable Dimming (347V N/A). For 347V Dimming, Consult Your Philips Lighting Representative.	Add Appropriate Suffix to Catalog No., i.e., F

Features

- 54.1% efficient (1 lamp) semi-specular louver.
- 57.6% efficient (1 lamp) specular louver.
- 1.7 spacing mounting ratio.
- Semi-specular or specular, low iridescence, pre-anodized aluminum louver.
- Vertical grain on cross blades eliminates reflected lamp image.
- Spring loaded latches (self centering).
- Louver has protective dust guard.
- Only 5½" deep body.
- Air return models meet UL 1598, Paragraph 9.2.2.5 requirements.
- Black housing exterior for cooler ballast operating temperature.
- cULus Listed twin knockout access plate.
- 2 hold-down clips standard.
- Can be mounted in rows with Cross Tees every 4'.
- Compatible with **Armstrong TECHZONE™** ceiling systems.
- Optional DALI ballast accepts digital dimming commands from computers, scene controllers and automatic control devices.

Specifications

Performance: In an installation of 1 lamp 32W semi-specular luminaires in a room cavity ratio of 1, reflectance 80% ceiling, 50% wall, 20% floor, the C.U. shall not be less than .58 with a spacing to mounting ratio of 1.7 perpendicular to the lamps. To meet IES RP-1 for VDT areas the VCP (visual comfort probability) shall not be less than 91 either crosswise or lengthwise and the candela value between 55° and 90° in the 0° to 90° planes shall not exceed 2521. Candelas at Nadir (0°) not to exceed 633.

Materials: Chassis parts are die-formed cold rolled steel.

Air Handling: (LIA only) Side air passages for air return without black reveal.

Louwer: Pre-anodized aluminum.

Finish: Louver—specular or semi-specular low iridescence pre-anodized reflector sheet.

Reflector: White baked polyester enamel.

Chassis Exterior: Black baked polyester enamel.

Electrical: Thermally protected class "P" ballast C.B.M. approved, non PCB. If K.O. is within 3" of ballast, use wire suitable for at least 90°.

Labels: cULus Listed.

This product may have a mercury containing lamp. Manage in accord with Disposal Laws. See: www.lamprecycle.org

Options/Accessories

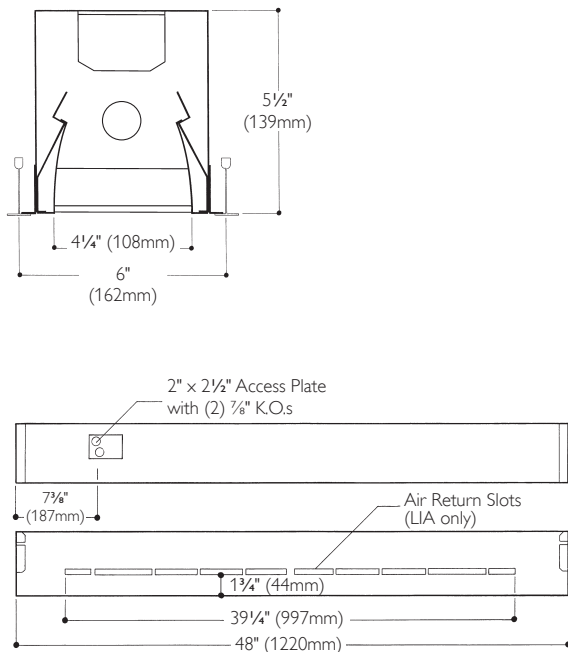
Electrical/Wiring Options: Consult your Philips Lighting representative.

EM Pack or Dimming Ballast: Consult your Philips Lighting representative.

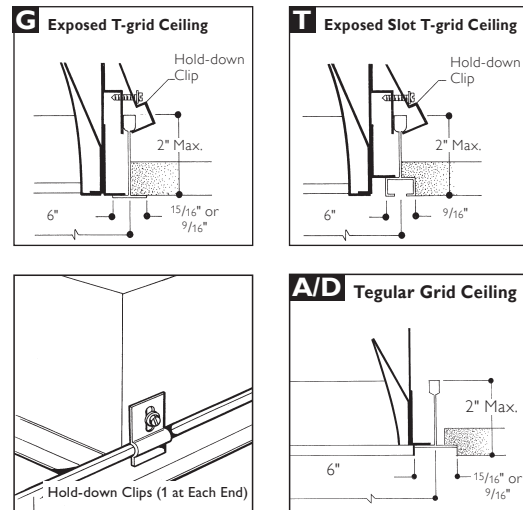
Fusing: Internal fast-blow fusing. Suffix: **F**.

Drywall Kit: For plaster frames, order catalog number: **FK906X4**.

Dimensions



Mounting Methods



Performance

Model No. LIS6G20LW132120SO*

LER = FP-43.4 IW-39.00 BF-1.10
Comparative yearly lighting energy cost per 1000 lumens = \$5.53

Report Number: G1206002

Catalog Number: LIS6G20LW132120SO*

Lamp: F32 T8

Luminaire: 6" wide troffer with semi-specular louver and white reflector.

Ballast: Advance REL-2P32-SC*

Report is based on 2850 lumens per lamp.

Efficiency: 54.1%

CIE Type: Direct-Indirect

Plane: 0 Deg. 90 Deg.

Spacing Criteria: 1.2 1.7

Shielding Angles: 90 90

Plane: 0 Deg. 90 Deg.

Luminous Length: 47.943 5.816

Candela Distribution

Angle	0.0	45.0	90.0	FLUX
0	633	633	633	
5	630	628	635	60
15	590	619	660	175
25	539	599	694	285
35	473	621	760	388
45	373	554	581	389
55	231	260	203	212
65	12	32	21	28
75	2	3	5	4
85	1	1	2	1
90	0	1	1	

Coefficients of Utilization

Ceiling	80%			50%			30%			
	70	50	30	50	30	10	50	30	10	
Wall										
RCR	Zonal Cavity Method— Effective Floor Cavity Reflectance = 0.20									
Room Cavity Ratio	1	60	58	57	55	54	53	53	52	51
	2	56	53	50	50	48	46	48	46	45
	3	52	47	44	45	42	40	44	41	39
	4	48	43	39	41	37	35	39	37	34
	5	44	38	34	37	33	31	36	33	30
	6	41	35	30	33	30	27	33	29	27
	7	38	32	27	30	27	24	30	26	24
	8	36	29	25	28	24	22	27	24	21
	9	33	27	22	26	22	19	25	22	19
	10	31	24	20	24	20	18	23	20	18

Luminance Data in Candela/Sq. Meter

Average in Deg.	Average 0 Deg.	Average 45 Deg.	Average 90 Deg.
45	2929.	4350.	4564.
55	2242.	2521.	1969.
65	162.	419.	270.
75	39.	55.	104.
85	33.	69.	103.

Zonal Lumen Summary

Zone	Lumens	% Lamp	% Fixt
0-30	520	18.3	33.7
0-40	909	31.9	58.9
0-60	1510	53.0	97.9
0-90	1542	54.1	100.0
90-180	0	0.0	0.0
0-180	1542	54.1	100.0

Typical V.C.P.'s

Room Size	Mounting Height Lengthwise Crosswise							
	Luminaires 0 Deg. Plane				Luminaires 90 Deg. Plane			
	8.5	10	8.5	10	8.5	10	8.5	10
30x30	91	88	87	82	92	88	86	80
40x40	92	88	87	85	94	88	88	84
60x30	92	88	87	84	93	88	86	81
60x60	92	88	87	85	94	90	88	85
100x100	91	89	88	85	95	92	88	86

*SO ballast by Philips Advance (1-2-lamp Elect. I.S.T8, <20%THD) available upon request. Consult your Philips Lighting representative.

LIS6G20LW132

LYTECEL 6

Performance

Model No. LIS6G20PW132120SO*

LER = FP-45.8 IW-39.0 BF-1.10
Comparative yearly lighting energy cost per 1000 lumens = \$5.24

Report Number: G1206003

Catalog Number: LIS6G20PW132120SO*

Lamp: F32 T8

Luminaire: 6" wide troffer with specular louver and white reflector.

Ballast: Advance REL-2P32-SC*
Report is based on 2850 lumens per lamp.

Efficiency: 57.6%

CIE Type: Direct-Indirect

Plane: 0 Deg. 90 Deg.

Spacing Criteria: 1.2 1.7

Shielding Angles: 90 90

Plane: 0 Deg. 90 Deg.

Luminous Length: 47.943 5.816

Candela Distribution

Angle	0.0	45.0	90.0	FLUX
0	662	662	662	
5	641	643	664	61
15	630	644	652	181
25	556	620	712	292
35	487	678	821	416
45	398	623	647	430
55	269	293	208	236
65	1	29	17	21
75	0	2	5	3
85	0	1	2	1
90	1	1	1	

Coefficients of Utilization

Ceiling	80%			50%			30%			
Wall	70	50	30	50	30	10	50	30	10	
RCR	Zonal cavity method—Effective floor cavity reflectance = 0.20									
Room Cavity Ratio	1	64	62	60	59	57	56	56	55	54
	2	60	56	53	53	51	49	51	49	47
	3	55	50	46	48	45	42	46	44	42
	4	51	45	41	43	40	37	42	39	36
	5	47	41	36	39	35	32	38	35	32
	6	44	37	32	35	31	29	34	31	28
	7	41	33	29	33	28	25	31	28	25
	8	38	31	26	29	26	23	29	25	23
	9	35	28	24	27	23	20	26	23	20
	10	33	26	21	25	21	19	24	21	18

Luminance Data in Candela/Sq. Meter

Average in Deg.	Average 0 Deg.	Average 45 Deg.	Average 90 Deg.
45	3130.	4896.	5087.
55	2605.	2838.	2018.
65	8.	379.	217.
75	10.	53.	98.
85	23.	67.	113.

Zonal Lumen Summary

Zone	Lumens	% Lamp	% Fixt
0-30	535	18.8	32.6
0-40	950	33.3	57.9
0-60	1617	56.7	98.5
0-90	1641	57.6	100.0
90-180	0	0.0	0.0
0-180	1641	57.6	100.0

Typical V.C.P.'s

Room Size	Mounting Height							
	Lengthwise				Crosswise			
	Luminaires 0 Deg. Plane				Luminaires 90 Deg. Plane			
	8.5	10	8.5	10	8.5	10	8.5	10
30x30	90	82	82	81	93	88	85	78
40x40	91	82	82	83	94	88	87	82
60x30	91	82	82	83	93	88	86	80
60x60	91	82	83	83	94	90	87	84
100x100	91	82	83	93	95	91	89	85

*SO ballast by Philips Advance (1-2-lamp Elect. I.S.T8, <20%THD) available upon request. Consult your Philips Lighting representative.



© 2013 Koninklijke Philips N.V. All rights reserved.
Specifications are subject to change without notice.
www.philips.com/luminaires

Philips Lighting Company
200 Franklin Square Drive
Somerset, NJ 08873
Phone: 855-486-2216

Philips Lighting Company
281 Hillmount Road
Markham ON, Canada L6C 2S3
Phone: 800-668-9008