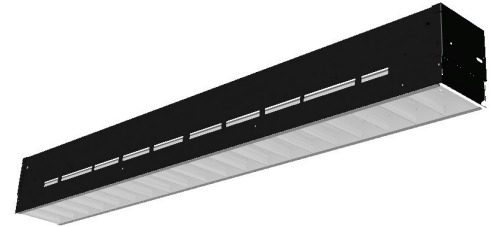


Narrow aperture with balanced illumination and versatility.

LIS6G20LW232
LYTECEL 6



Air Return Shown

6" X 48" 20 CELL (1 ROW) PARABOLIC LOUVER FLUORESCENT
FOR INDIVIDUAL 4' MOUNTING
AIR RETURN/STATIC
2 LAMP T8, IES RP1 FOR VDT AREAS

Lytecel 6 individual 6" x 48" features a low brightness 20 cell parabolic louver that has an opening that is only 4 1/4" wide. The precise contours provide photometrics that meet the IES requirements for lighting VDT areas. It fits most standard 6" x 48" lay-in ceiling systems plus Armstrong TECHZONE® ceiling systems.

Project: _____
 Location: _____
 Catalog No: _____
 Fixture Type: _____
 Mfg: _____ Lamps: _____ Qty: _____
 Notes: _____

Ordering Guide

Explanation of Catalog Number Example: LIS6G20LW232

Family	Body Style	Fixture Width	Ceiling Type	Number of Cells	Louver Finish	Reflector	Lamp Qty	Lamp/ Fixture Length	Voltage	Ballast Type	Options
LI		6		20		W	2	32			
Lytecel 6"	A = Air Return S = Static	6 = 6"	G = 9/16" or 15/16" Grid T = Slot Grid A = 9/16" Tegular Grid D = 15/16" Tegular Grid	1 Row of 20 Cells	L = Low Iridescence Semi-specular P = Low Iridescence Specular	W = White	(By Others) 2 = 2 Lamp	32 = T8 (Nominal 48")	UNV = 120/277V 120 = 120V 277 = 277V 347 = 347V	HI = 1 Lamp Elect. I.S., <10% THD DA = DALI Digital Addressable Dimming (347V N/A) For 347V Dimming, Consult Your Philips Lighting Representative.	Add Appropriate Suffix to Catalog No., i.e., F

Features

- 48.6% efficient (2 lamp) semi-specular louver.
- 51.6% efficient (2 lamp) specular louver.
- 1.3 spacing mounting ratio.
- Semi-specular or specular, low iridescence, pre-anodized aluminum louver.
- Vertical grain on cross blades eliminates reflected lamp image.
- Spring loaded latches (self centering).
- Louver has protective dust guard.
- Only 5½" deep body.
- Air return models meet UL 1598, Paragraph 9.2.2.5 requirements.
- Black housing exterior for cooler ballast operating temperature.
- cULus Listed twin knockout access plate.
- 2 hold-down clips standard.
- Can be mounted in rows with Cross Tees every 4'.
- Compatible with **Armstrong TECHZONE™** ceiling systems.
- Optional DALI ballast accepts digital dimming commands from computers, scene controllers and automatic control devices.

Specifications

Performance: In an installation of 2 lamp 32W semi-specular luminaires in a room cavity ratio of 1, reflectance 80% ceiling, 50% wall, 20% floor, the C.U. shall not be less than .53 with a spacing to mounting ratio of 1.3 perpendicular to the lamps. To meet IES RP-1 for VDT areas the VCP (visual comfort probability) shall not be less than 91 either crosswise or lengthwise and the candela value between 55° and 90° in the 0° to 90° planes shall not exceed 4631. Candelas at Nadir (0°) not to exceed 1234.

Materials: Chassis parts are die-formed cold rolled steel.

Air Handling: (LIA only) Side air passages for air return without black reveal.

Louwer: Pre-anodized aluminum.

Finish: Louver—specular or semi-specular low iridescence pre-anodized reflector sheet.

Reflector: White baked polyester enamel.

Chassis Exterior: Black baked polyester enamel.

Electrical: Thermally protected class "P" ballast C.B.M. approved, non PCB. If K.O. is within 3" of ballast, use wire suitable for at least 90°.

Labels: cULus Listed.

This product may have a mercury containing lamp. Manage in accord with Disposal Laws.

See: www.lamprecycle.org

Options/Accessories

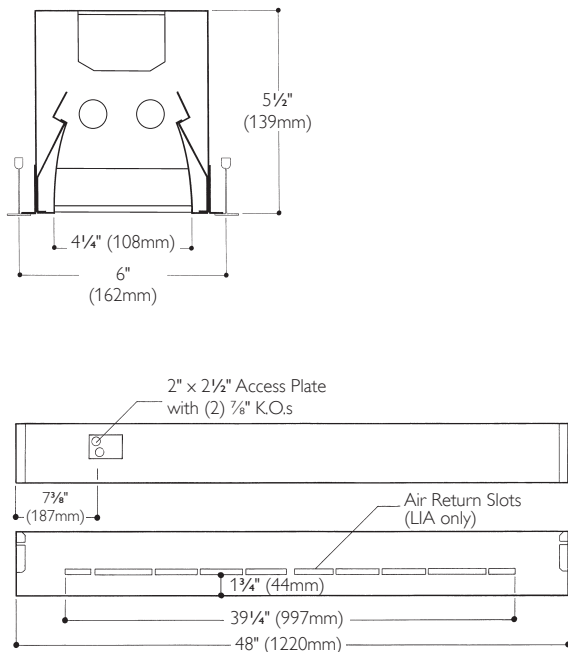
Electrical/Wiring Options: Consult your Philips Lighting representative.

EM Pack or Dimming Ballast: Consult your Philips Lighting representative.

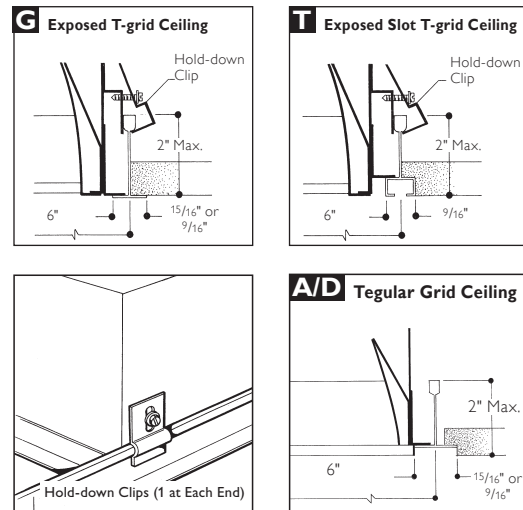
Fusing: Internal fast-blow fusing. Suffix: **F**.

Drywall Kit: For plaster frames, order catalog number: **FK906X4**.

Dimensions



Mounting Methods



LIS6G20LW232

LYTECEL 6

Performance

Model No. LIS6G20LW232120SO*

LER = FP-38.6 IW-78.0 BF-1.1
Comparative yearly lighting energy cost per 1000 lumens = \$6.22

Report Number: G1206011

Catalog Number: LIS6G20LW232120SO*

Lamp: F32 T8

Luminaire: 6" wide troffer with semi-specular louver and white reflector.

Ballast: Advance REL-2P32-SC*

Report is based on 2850 lumens per lamp.

Efficiency: 48.6%

CIE Type: Direct-Indirect

Plane: 0 Deg. 90 Deg.

Spacing Criteria: 1.3 1.3

Shielding Angles: 90 90

Plane: 0 Deg. 90 Deg.

Luminous Length: 47.943 5.816

Luminance Data in Candela/Sq. Meter

Average in Deg.	Average 0 Deg.	Average 45 Deg.	Average 90 Deg.
45	6279.	6562.	7277.
55	4631.	4427.	3807.
65	316.	763.	513.
75	86.	129.	215.
85	64.	128.	191.

Candela Distribution

Angle	0.0	45.0	90.0	FLUX
0	1234	1234	1234	
5	1252	1300	1306	122
15	1207	1280	1287	356
25	1100	1182	1215	542
35	962	1020	1058	643
45	799	835	926	650
55	478	457	393	392
65	34	58	39	53
75	4	6	10	7
85	1	2	3	2
90	1	1	1	

Zonal Lumen Summary

Zone	Lumens	% Lamp	% Fixt
0-30	1021	17.9	36.9
0-40	1664	29.2	60.1
0-60	2707	47.5	97.7
0-90	2769	48.6	100.0
90-180	0	0.0	0.0
0-180	2769	48.6	100.0

Coefficients of Utilization

Ceiling	80%			50%			30%			
	70	50	30	50	30	10	50	30	10	
Wall										
RCR	Zonal Cavity Method— Effective Floor Cavity Reflectance = 0.20									
Room Cavity Ratio	1	54	53	51	49	48	47	48	47	46
	2	50	47	45	45	43	41	43	42	40
	3	47	43	39	41	38	36	39	37	35
	4	43	38	35	37	34	32	36	33	31
	5	40	35	31	33	30	28	32	30	28
	6	37	32	28	30	27	25	30	27	25
	7	35	29	25	28	25	22	27	24	22
	8	32	26	23	25	22	20	25	22	20
	9	30	24	21	24	20	18	23	20	18
	10	28	22	19	22	19	16	2	18	16

Typical V.C.P.'s

Room Size	Mounting Height Lengthwise Crosswise							
	Luminaires 0 Deg. Plane				Luminaires 90 Deg. Plane			
	8.5	10	8.5	10	8.5	10	8.5	10
30x30	90	85	77	70	88	83	76	68
40x40	90	85	82	76	90	85	82	73
60x30	90	85	80	75	88	83	79	73
60x60	91	86	82	79	91	87	84	78
100x100	91	87	82	78	92	90	87	82

*SO ballast by Philips Advance (1-2-lamp Elect. I.S.T8, <20%THD) available upon request. Consult your Philips Lighting representative.

LIS6G20LW232

LYTECEL 6

Performance

Model No. LIS6G20PW232120SO*

LER = FP-40.9 IW-78.0 BF-1.1
Comparative yearly lighting energy cost per 1000 lumens = \$5.86

Report Number: G1206012
Catalog Number: LIS6G20PW232120SO*

Lamp: F32 T8
Luminaire: 6" wide troffer with specular louver and white reflector.

Ballast: Advance REL-2P32-SC*
Report is based on 2850 lumens per lamp.

Efficiency: 51.6%
CIE Type: Direct-Indirect
Plane: 0 Deg. 90 Deg.
Spacing Criteria: 1.2 1.3
Shielding Angles: 90 90
Plane: 0 Deg. 90 Deg.
Luminous Length: 47.943 5.816

Candela Distribution

Angle	0.0	45.0	90.0	FLUX
0	1373	1373	1373	
5	1287	1314	1304	125
15	1244	1345	1368	370
25	1149	1246	1264	566
35	1018	1079	1088	681
45	849	926	1005	711
55	579	520	440	441
65	1	52	32	39
75	1	4	9	6
85	1	2	3	3
90	1	1	2	

Coefficients of Utilization

Ceiling	80%			50%			30%			
Wall	70	50	30	50	30	10	50	30	10	
RCR	Zonal Cavity Method— Effective Floor Cavity Reflectance = 0.20									
Room Cavity Ratio	1	58	56	54	53	51	50	51	50	49
	2	54	50	48	48	46	44	46	44	43
	3	50	45	42	43	40	38	42	39	37
	4	46	41	37	39	36	33	38	35	33
	5	43	37	33	35	32	29	34	31	29
	6	40	33	29	32	29	26	31	28	26
	7	37	30	26	29	26	23	29	26	23
	8	34	28	24	27	23	21	26	23	21
	9	32	26	22	25	21	19	24	21	19
	10	30	24	20	23	20	17	22	19	17

Luminance Data in Candela/Sq. Meter

Average in Deg.	Average 0 Deg.	Average 45 Deg.	Average 90 Deg.
45	6672.	7277.	7898.
55	5609.	5038.	4263.
65	13.	684.	421.
75	21.	86.	193.
85	64.	128.	191.

Zonal Lumen Summary

Zone	Lumens	% Lamp	% Fixt
0-30	1061	18.6	36.1
0-40	1742	30.6	59.2
0-60	2895	50.8	98.4
0-90	2942	51.6	100.0
90-180	0	0.0	0.0
0-180	2942	51.6	100.0

Typical V.C.P.'s

Room Size	Mounting Height Lengthwise Crosswise							
	Luminaires 0 Deg. Plane				Luminaires 90 Deg. Plane			
	8.5	10	8.5	10	8.5	10	8.5	10
30x30	85	76	70	69	88	80	76	67
40x40	85	76	72	72	90	84	81	73
60x30	85	76	72	74	89	80	77	69
60x60	85	78	73	74	91	86	83	76
100x100	86	78	73	74	92	88	86	81

*SO ballast by Philips Advance (1-2-lamp Elect. I.S.T8, <20%THD) available upon request. Consult your Philips Lighting representative.



© 2013 Koninklijke Philips N.V. All rights reserved.
Specifications are subject to change without notice.
www.philips.com/luminaires

Philips Lighting Company
200 Franklin Square Drive
Somerset, NJ 08873
Phone: 855-486-2216

Philips Lighting Company
281 Hillmount Road
Markham ON, Canada L6C 2S3
Phone: 800-668-9008