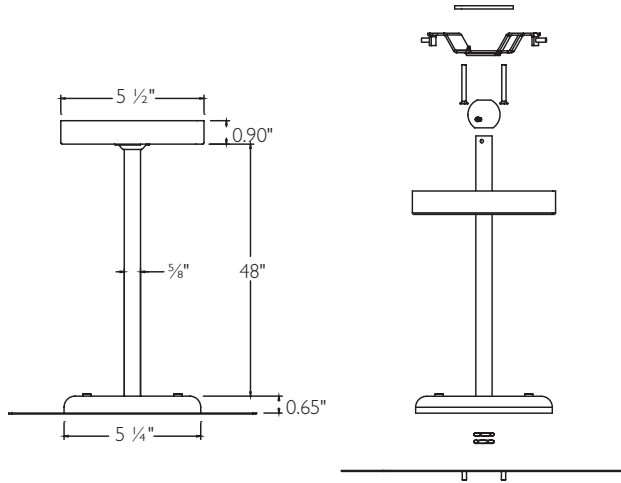


Optimo Pendant Mount Kits



Applicable Diffusers

12" Round	16" Round	22" Round
RC12AL RR12AL RT12AL	RC16AL RR16AL RT16AL	RC22AL RR22AL
12" Square	16" Square	22" Square
CSR12AL SR12AL ST12AL	CSR16AL SR16AL ST16AL	SR22AL

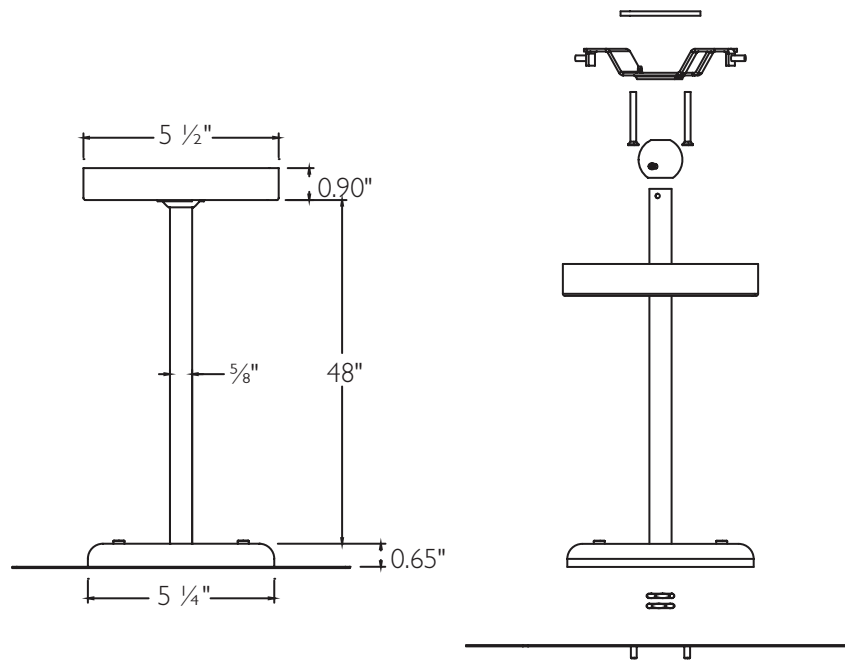
Ordering Information

Cat. No.	Description	Applicable* Backplate Cat. No.	Voltage	Wattage
R12PMK	12" Round Optimo Stem Kit	R01L12 R122U	120V 120V/240V	20W 24W
R16PMK	16" Round Optimo Stem Kit	R01L16 R16140U** R318U R2240U	120V 120V/240V 120V/240V 120V/240V	30W 40W 54W 54W
R22PMK	22" Round Optimo Stem Kit	R01L22 R222436U** R2436U	120V 120V/240V 120V/240V	66W 84W 120W
S12PMK	12" Square Optimo Stem Kit	S01L12 S122U	120V 120V/240V	20W 24W
S16PMK	16" Square Optimo Stem Kit	S01L16 S16140U** S2240U	120V 120V/240V 120V/240V	45W 40W 52W
S22PMK	22" Square Optimo Stem Kit	S01L22, S22324U** S336U	120V 120V/240V 120V/240V	74W 74W 113W

* Reference Optimo specification sheets for further backplate and diffuser information.

** Add an "E" at the end of this catalog number for the applicable emergency options.

Job Information	Type:
Job Name:	
Cat. No.:	
Notes:	



Features

- 1. Adapter plate:** Stamped 20ga. (0.036") C.R.S. with a gloss white powder coat finish, with six options to mount cleanly to varying size backplates.
- 2. Wiring compartment:** With a gloss white powder coat finish this feature acts as a junction box for stem to backplate electrical connection.
- 3. Stem:** A brushed Satin Aluminum finish and field cuttable with a standard 48" length and 3/8" thick diameter.
- 5. Canopy:** A brushed Satin Aluminum finish, 5" diameter, with a lock-in-place die cast aluminum ball and socket pivot joint and standard J-Box mounting capability.

Canopy and Stem Finish:

Satin Aluminum (Brushed and clear lacquer finish)

Adapter Plate and Wire Compartment Finish:

Gloss White (Powder coated)

Labels

U.L. listed



Philips Lightolier
 e: lol.webmaster@philips.com
 t: (508) 679-8131
 w: www.lightolier.com

OPMK January 31, 2012

Specifications are subject to change without notice.
 © Koninklijke Philips Electronics N.V., 2012. All rights reserved.

Job Information	Type:
------------------------	--------------