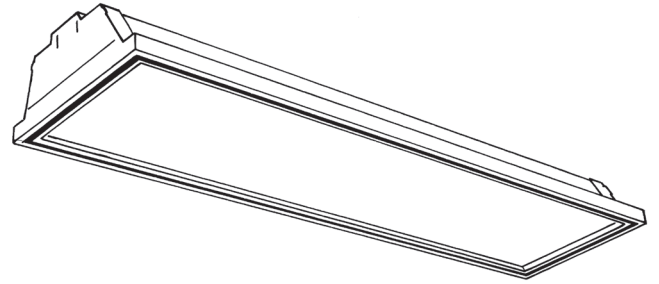


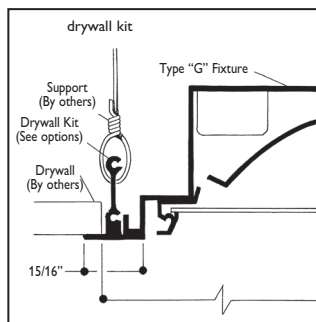
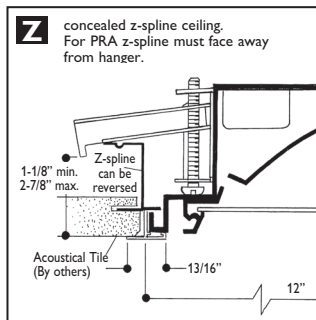
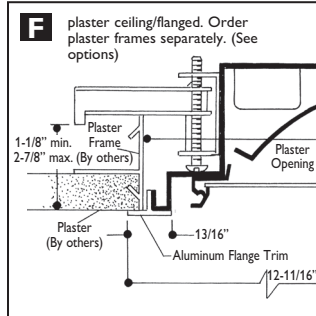
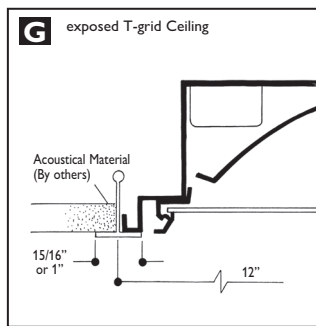
Prismalyte Plus PRA1GRFVA

Recessed Fluorescent, Static/Air Return/Supply, Floating Lens Frame 1 or 2 Lamp, T8 or T5

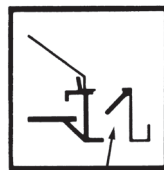
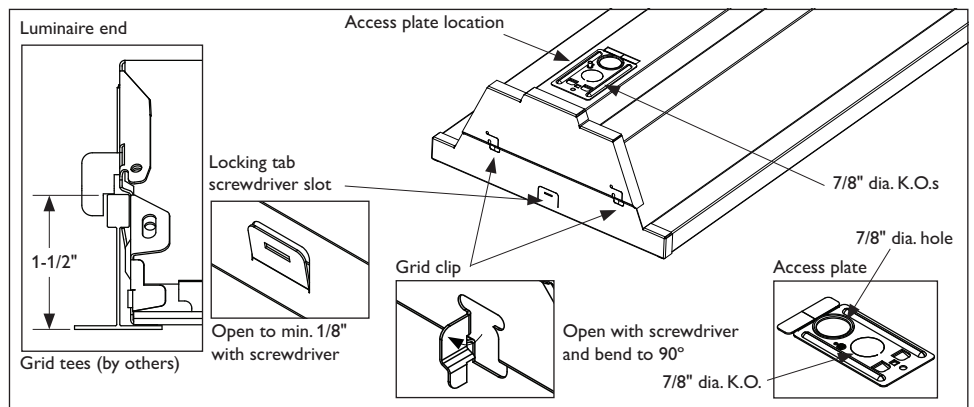
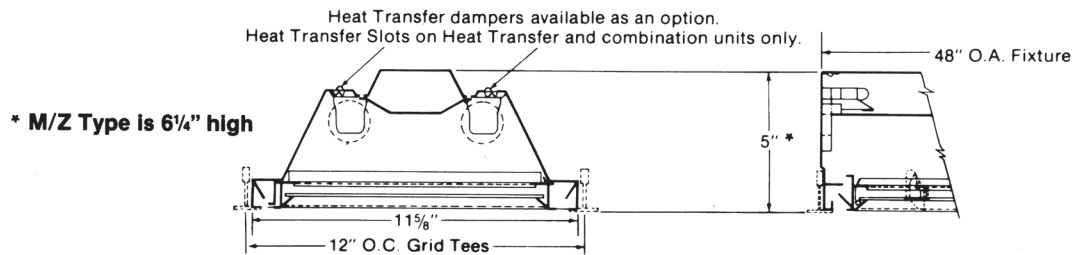
- 66.8% efficient (2 lamp 32W T8).
- 1.1 spacing mounting ration (2 lamp 32W T8).
- Reversible door frame hinging.
- 5" deep.
- Turned-up edges for safe handling.
- Mitered door frame, flange and trim.
- Mechanically designed interlocks block light, no gaskets are needed.
- Black reveal creates floating door appearance.
- Spring loaded latches.
- T-bar grid clips (UL listed) built into fixture end plates, no extra parts required.
- Access plate (2 K.O.'s) factory installed includes grounding screw.



Mounting



Dimensions



Optional Air Pattern Control (on Air and Combination Units)

- Fully adjustable
- Closed= Static
- 45°= Horizontal Air Supply
- 90°= (fully open) - Vertical Air Supply
- Side Slots may also be used for Return Air to Plenum

Job Information

Job Name:

Cat. No.:

Lamp(s):

Volts/Ballast:



Ordering Information

Explanation of Catalog Number. Example: PRA1GRFVA232UNVHI

PR	[]	1	[]	RF	[]	[]	[]	[]	-	[]
Prismalyte plus: Floating Lens Frame. Recessed Fluorescent Troffer	Body Style: A = Air Handling S = Static	Fixture Width	Ceiling Type: G = Grid (lay-in T bar) F = Flanged Z = Z spline	Lens Frame: RF = 1/2" regressed floating alumi- num frame with 7/16" black reveal four sides.	Lens Shielding Type: VA = Virgin acrylic (standard), see options KA = Virgin acrylic shielding .156 nominal thickness	Lamp Quantity 1 = Lamp 2 = Lamps	Lamp Type/ Fixture Length: 32 = T8 28 = T5 54 = T5 (Nominal 48")	Voltage: 120, 277 or UNV = 120-277		Options: Add appropriate suffix to catalog no.:ie: (A)
										Ballast Type: <20THD <10THD 1 & 2 Lamp Elec. 32W T8 SO * HI * 1-2 Lamp 28W Elec. T5 - PI † 1-2 Lamp 28W Elec. T5 - PG †† 1-2 Lamp 54W Elec. T5 - PG †† LOL T8 Dimming PS - Other dimming options consult Philips Lighting representative. *Instant Start Standard †Instant Start (120, 277) ††Program Rapid Start (UNV only) NOTE: For T8 UNV , you must use HI Ballast Code.

Options/Accessories

Special Lenses: Substitute **VY** for .125" nominal pattern 12 with 7.8 oz. average weight per square foot. Substitute **VI** for .125" nominal pattern 12 with 6.8 oz. average weight per square foot.

Access Plate: Top wiring access plate is shipped with fixture as standard.

Plaster Frames: F type fixtures do not include plaster frames. For individual or continuous mounting, specify **FMA14** universal frame per fixture.

Electrical Wiring Options: Consult Philips Lighting representative.

Air Pattern Control and Air Slot Closure: SUFFIX: **PD** (factory installed).

Air Closure Strip: Factory installed cover side air passages. SUFFIX **ACS4**

Fusing: Internal fast-blow fusing. SUFFIX: **A**.
Internal slow-blow fusing. SUFFIX: **C**.

Drywall Kit: Order Catalog Number: **FK91X4**.

Chicago Plenum: SUFFIX: **C**.

Specifications

Performance: In an installation of 2 lamp 32W luminaires in a room cavity ratio of 1, with reflectance 80% ceiling, 50% wall, 20% floor, the C.U. shall not be less than .69. To control veiling reflections, luminaire output in the 30°-90° zone shall not be less than 62.4%.

Materials: **Chassis parts** are die-formed code gauge cold rolled steel. Housing is contoured for rigidity with all edges turned up for safe handling.

Lens Frame: 1/2" regressed floating aluminum frame with 7/16" black reveal, four sides.

Finish: **Chassis exterior**—white baked polyester enamel.

Cavity—white baked polyester enamel minimum 86% reflectance. Phosphate undercoating.

Lens: **VA** extruded virgin acrylic, 3/16" square based female cones, running 45° to the panel edge, .095" nominal thickness (similar to pattern 12), **VY** (optional) .125" nominal pattern 12 with 7.8 oz. average weight per square foot. **VI** (optional) .125" nominal pattern 12 with 6.8 oz. average weight per square foot.

Electrical: Thermally protected class "P" ballast C.B.M. approved, non PCB. If K.O. is within 3" of ballast, use wire suitable for at least 90°.

Labels: I.B.E.W. UL and ULc Listed.

This product may have a mercury containing lamp.

Manage in accord with Disposal Laws.

See: www.lamprecycle.org

Job Information	Type:
-----------------	-------

Prismalyte Plus PRA1GRFVA

Recessed Fluorescent, Static/Air Return/Supply, Floating Lens Frame 1 or 2 Lamp, T8 or T5

PRA 1x4 1 Lamp T8 VA lens

Efficiency – 72.6%

LER – 60

TER – 55

Catalog No.	PRS1GRFVA132	Candlepower				Light Distribution				Average Luminance			
		Angle	End	45	Cross	Degrees	Lumens	% Lamp	% Luminaire	Angle	End	45°	Cross
Test No.	31779	0	892	892	892	0-30	728	25.1	34.6	45	2922	2979	2871
S/MH	1.4	5	888	890	893	0-40	1203	41.5	57.2	55	2167	1860	2076
Lamp Type	F32T8	10	877	887	896	0-60	1863	64.2	88.5	65	1589	1021	1560
Lumens/Lamp	2900	15	858	881	904	0-90	2104	72.6	100.0	75	1297	942	1328
Ballast Factor	1.00	20	830	871	910								
Input Watts	35	25	794	859	911								
		30	745	839	889								
		35	680	790	808								
		40	603	662	669								
		45	517	527	508								
		50	408	394	383								
		55	311	267	298								
		60	233	168	225								
		65	168	108	165								
		70	118	79	118								
		75	84	61	86								
		80	52	40	55								
		85	25	23	25								

Comparative yearly lighting energy cost per 1000 lumens – \$4.00 based on 3000 hrs. and \$.08 pwr KWH.

The photometric results were obtained in the Philips Day-Brite laboratory which is NVLAP accredited by the National Institute of Standards and Technology.

PRA 1x4 2 Lamp T8 VA lens

Efficiency – 66.8%

LER – 60

TER – 55

Catalog No.	PRS1GRFVA232	Candlepower				Light Distribution				Average Luminance			
		Angle	End	45	Cross	Degrees	Lumens	% Lamp	% Luminaire	Angle	End	45°	Cross
Test No.	31780	0	1909	1909	1909	0-30	1428	24.6	36.8	45	5477	5149	4991
S/MH	1.1	5	1904	1896	1895	0-40	2258	38.9	58.3	55	3965	3331	3574
Lamp Type	F32T8	10	1876	1866	1857	0-60	3434	59.2	88.6	65	2894	1891	2771
Lumens/Lamp	2900	15	1830	1810	1785	0-90	3875	66.8	100.0	75	2378	1745	2409
Ballast Factor	0.92	20	1762	1715	1676								
Input Watts	59	25	1669	1600	1550								
		30	1540	1467	1441								
		35	1379	1332	1303								
		40	1175	1134	1133								
		45	969	911	883								
		50	752	692	663								
		55	569	478	513								
		60	422	308	394								
		65	306	200	293								
		70	219	149	215								
		75	154	113	156								
		80	97	74	98								
		85	43	41	45								

Comparative yearly lighting energy cost per 1000 lumens – \$4.00 based on 3000 hrs. and \$.08 pwr KWH.

The photometric results were obtained in the Philips Day-Brite laboratory which is NVLAP accredited by the National Institute of Standards and Technology.



© 2013 Koninklijke Philips N.V. All rights reserved.
Specifications are subject to change without notice.
www.philips.com/luminaires

Philips Lighting Company
200 Franklin Square Drive
Somerset, NJ 08873
Phone: 855-486-2216

Philips Lighting Company
281 Hillmount Road
Markham ON, Canada L6C 2S3
Phone: 800-668-9008